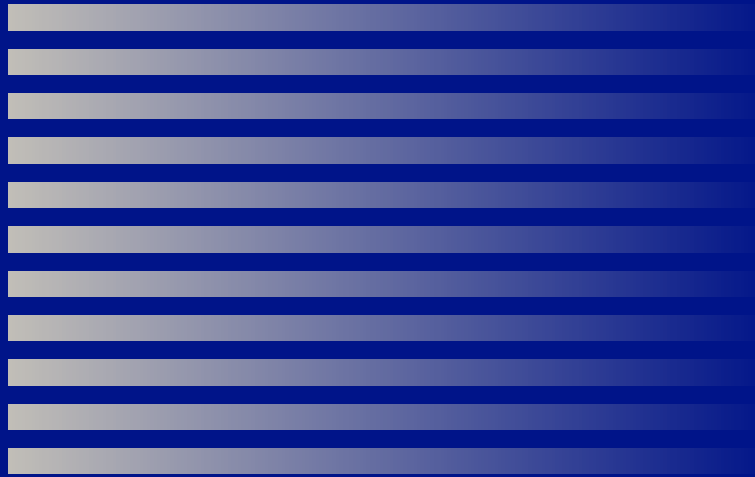


EXPERT LINE®
FRENCH AUTOMOTIVE PARTS



Drive shafts and CV joints

2017



Drive shafts and CV joints for French application
Catalogue edition 01.2017

EXPERTLINE-AUTOMOTIVE.COM

Contents

Legend	8
1 Citroen	10
1.1 AX (ZA-)	10
1.2 BERLINGO (M)	10
1.3 BERLINGO (MF)	11
1.4 BERLINGO MULTISPACE	12
1.5 BERLINGO II	12
1.6 BX (XB-)	12
1.7 C-CROSSER	13
1.8 C15	13
1.9 C15 (VD-)	13
1.10 C25 (280 /290)	14
1.11 C1	15
1.12 C2 (JM)	15
1.13 C3 (FC)	15
1.14 C3 PICASSO	15
1.15 C3 PLURIEL (HB)	16
1.16 C3 II	16
1.17 C4	16
1.18 C4 (LA)	16
1.19 C4 (LC)	17
1.20 C4 II (B7)	17
1.21 C4 GRAND PICASSO (UA)	18
1.22 C4 PICASSO (UD)	18
1.23 C4 PICASSO II	18
1.24 C5 (DC)	18
1.25 C5 (DE)	19
1.26 C5 FL (RC)	19
1.27 C5 FL (RE)	19
1.28 C5 II (RD)	20
1.29 C5 II (TD)	20
1.30 C6	20
1.31 C8 (EA /EB)	21
1.32 EVASION (22/U6)	21
1.33 JUMPER (230)	21
1.34 JUMPER (230L)	25
1.35 JUMPER (230P)	29
1.36 JUMPER (244)	35
1.37 JUMPER (244/Z)	35
1.38 JUMPER II	35
1.39 JUMPY (BS /BT /BY /BZ)	36

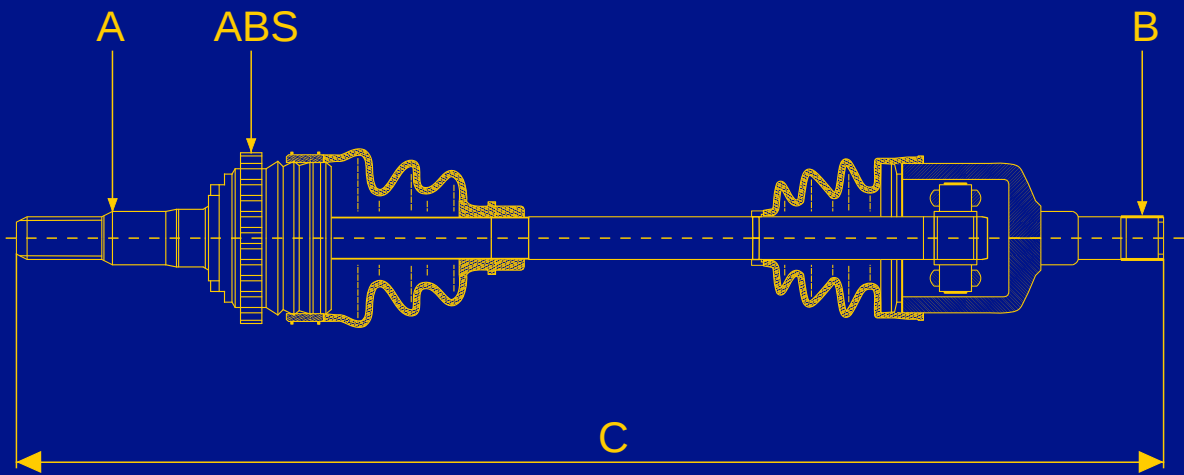
1.40	JUMPY (BU /BV /BW /BX)	36
1.41	JUMPY (U6U)	36
1.42	JUMPY II	37
1.43	NEMO	37
1.44	SAXO (S0/S1)	37
1.45	VISA	38
1.46	XANTIA	38
1.47	XANTIA (X1)	38
1.48	XANTIA (X2)	39
1.49	XM (Y3)	39
1.50	XM (Y4)	40
1.51	XSARA (N0)	40
1.52	XSARA (N1)	41
1.53	XSARA (N2)	42
1.54	XSARA PICASSO	44
1.55	XSARA PICASSO (N68)	44
1.56	ZX (N2)	44
2	Dacia	46
2.1	LOGAN (LS)	46
2.2	LOGAN (US)	46
2.3	LOGAN EXPRESS (FS)	46
2.4	LOGAN MCV (KS)	46
2.5	SANDERO	46
3	DS	47
3.1	DS3	47
3.2	DS3 CABRIO	47
3.3	DS4	47
3.4	DS5	47
4	Peugeot	47
4.1	106 I (1A/1C)	47
4.2	106 II (1)	48
4.3	107	48
4.4	1007 (KM)	48
4.5	205	48
4.6	205 I (741 A/C)	48
4.7	205 I (741B/20D)	49
4.8	205 II (20A/C)	49
4.9	206	50
4.10	206 (2A/C)	50
4.11	206 CC (2D)	51
4.12	206 SW (2E/K)	51

4.13	207	51
4.14	207 (WA /WC)	51
4.15	207 CC (WD)	52
4.16	207 SW (WK)	52
4.17	208	53
4.18	2008	53
4.19	306 (7A/7C/N3/N5)	53
4.20	306 (7B/N3)	54
4.21	306 (7B/N3/N5)	54
4.22	306 (7D/N3/N5)	55
4.23	306 (7E/N3/N5)	55
4.24	307 (3A/C)	56
4.25	307 (3E)	56
4.26	307 CC (3B)	57
4.27	307 SW (3H)	58
4.28	3008	58
4.29	308 (4A /4C)	59
4.30	308 CC	59
4.31	308 SW	60
4.32	309 I (10C/10A)	60
4.33	309 II (3C/3A)	61
4.34	405 I (15B)	61
4.35	405 I (15E)	62
4.36	405 II (4B)	62
4.37	405 II (4E)	63
4.38	405 II (4E) BREAK	63
4.39	406 (8B)	63
4.40	406 (8C)	64
4.41	406 (8E/F)	64
4.42	406 II	65
4.43	407 (6C)	65
4.44	407 (6D)	65
4.45	407 SW (6E)	66
4.46	4007	66
4.47	5008	66
4.48	605 (6B)	66
4.49	806 (221)	67
4.50	807 (E)	67
4.51	BIPPER	68
4.52	BIPPER TEPEE	68
4.53	BOXER (230L)	68
4.54	BOXER (230P)	72
4.55	BOXER (244)	77
4.56	BOXER (244/Z)	77

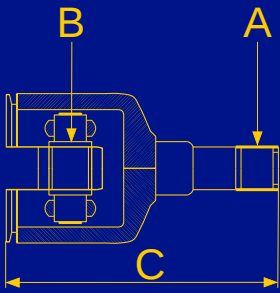
4.57	BOXER (ZCT)	77
4.58	BOXER II	81
4.59	EXPERT (222)	82
4.60	EXPERT (223)	82
4.61	EXPERT (224)	82
4.62	EXPERT II	83
4.63	EXPERT II (VF3A /VF3U /VF3X)	83
4.64	EXPERT II TEPEE (VF3V)	83
4.65	J5 (280L)	83
4.66	J5 (280P)	84
4.67	J5 (290L)	84
4.68	J5 (290P)	84
4.69	PARTNER (5)	85
4.70	PARTNER COMBISPACE (5F)	86
4.71	PARTNER II	87
4.72	PARTNER II TEPEE	87
4.73	RCZ	87
5	Renault	87
5.1	11 (B/C37)	87
5.2	19 I (B/C53)	88
5.3	19 I CABRIO (D53)	88
5.4	19 I CHAMADE (L53)	88
5.5	19 II (B/C53)	89
5.6	19 II (S53)	89
5.7	19 II CABRIO (D53 /853)	89
5.8	19 II CHAMADE (L53)	89
5.9	21 (B48)	90
5.10	21 (K48)	90
5.11	21 (L48)	90
5.12	25 (B29)	90
5.13	9 (L42)	91
5.14	CLIO	91
5.15	CLIO II (BB0/1/2 /CB0/1/2)	91
5.16	CLIO II (SB0/1/2)	93
5.17	CLIO III (BR0/1/CR0/1)	93
5.18	CLIO III GRANDTOUR (KR0/1)	94
5.19	ESPACE II (J/S63)	94
5.20	ESPACE III (JE0)	95
5.21	ESPACE IV (JK0/1)	95
5.22	FLUENCE (L30)	95
5.23	GRAND SCENIC II (JM0/1)	95
5.24	GRAND SCENIC III (JZ0/1)	96
5.25	KANGOO (KC0/1)	96

5.26	KANGOO EXPRESS (FC0/1)	97
5.27	KANGOO II / GRAND KANGOO (KW0/1)	97
5.28	KANGOO II BE BOP (KW0/1)	98
5.29	KANGOO II EXPRESS (FW0/1)	98
5.30	LAGUNA GRANDTOUR (K56)	98
5.31	LAGUNA I (B56 /556)	99
5.32	LAGUNA II (BG0/1)	100
5.33	LAGUNA II GRANDTOUR (KG0/1)	101
5.34	LAGUNA III (BT0/1)	102
5.35	LAGUNA III Grandtour (KT0/1)	102
5.36	LAGUNA III Coupe (DT0/1)	102
5.37	LOGAN (KS)	102
5.38	MASTER I (P) 28-35	102
5.39	MASTER I (T) 28-35	102
5.40	MASTER I (T) 30	103
5.41	MASTER I (T) 35	103
5.42	MASTER II (ED/HD/UD)	103
5.43	MASTER II (FD)	103
5.44	MASTER II (JD)	104
5.45	MASTER III (JV)	105
5.46	MASTER III (FV)	105
5.47	MASTER III (EV/HV/UV)	105
5.48	MEGANE I	106
5.49	MEGANE I (BA0/1)	106
5.50	MEGANE I CABRIO (EA0/1)	107
5.51	MEGANE I CLASSIC (LA0/1)	108
5.52	MEGANE I COACH (DA0/1)	109
5.53	MEGANE I GRANDTOUR (KA0/1)	110
5.54	MEGANE SCENIC (JA0/1)	110
5.55	MEGANE II	111
5.56	MEGANE II (BM0/1 /CM0/1)	112
5.57	MEGANE II (KM0/1)	112
5.58	MEGANE II (LM0/1)	113
5.59	MEGANE II COUPE-CABRIO (EM0/1)	114
5.60	MEGANE III (BZ0)	114
5.61	MEGANE III COUPE (DZ0)	115
5.62	MEGANE III GRANDTOUR (KZ0)	115
5.63	MEGANE III CC (EZ0)	115
5.64	MODUS / GRAND MODUS (F/JP0)	115
5.65	RAPID (F40 /G40)	116
5.66	SAFRANE I (B54)	116
5.67	SAFRANE II (B54)	116
5.68	SCENIC I	117
5.69	SCENIC I (JA0/1)	117

5.70	SCENIC II	117
5.71	SCENIC II (JM0/1)	117
5.72	SCENIC III (JZ0/1)	118
5.73	SUPER 5 (B/C40)	118
5.74	THALIA (LB0/1/2)	119
5.75	TRAFIC (P6)	119
5.76	TRAFIC (PXX)	120
5.77	TRAFIC (T1/T3/T4)	120
5.78	TRAFIC (T5/T6/T7)	120
5.79	TRAFIC (TXW)	120
5.80	TRAFIC (TXX)	120
5.81	TRAFIC DIESEL	120
5.82	TRAFIC ESSENCE	121
5.83	TRAFIC II (EL)	121
5.84	TRAFIC II (FL)	121
5.85	TRAFIC II (JL)	121
5.86	TWINGO (C06)	122
5.87	TWINGO II (CN0)	122
6	Cross-references	123
	Contact	133



	Driveshaft	Приводной вал	Półoś napędowa
A	External spline teeth, wheel side	Наружные зубья, сторона колеса	Ilość zębów wielowypustu, od koła
B	External spline teeth, gearbox side/tripod diameter	Наружные зубья, со стороны КПП/трипод	Ilość zębów wielowypustu, od skrzyni biegów/krzyżak
C	Length	Длина	Długość
ABS	Number of teeth on ABS ring	Количество зубьев кольца ABS	Ilość zębów pierścienia ABS



CV Joint Inner

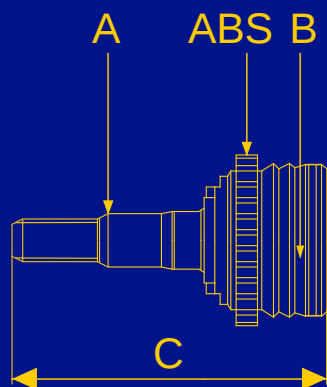
- A** External spline teeth
- B** Internal spline teeth
- C** Length

Внутренний ШРУС

- A** Наружные зубья
- B** Внешние зубья
- C** Длина

Przegub wewnętrzny

- A** Ilość zębów wielowypustu zew.
- B** Ilość zębów wielowypustu wew.
- C** Długość



CV Joint Outer

- A** External spline teeth
- B** Internal spline teeth
- C** Length
- ABS** Number of teeth on ABS ring

Наружный ШРУС

- A** Наружные зубья
- B** Внешние зубья
- C** Длина
- ABS** Количество зубьев кольца ABS

Przegub zewnętrzny

- A** Ilość zębów wielowypustu zew.
- B** Ilość zębów wielowypustu wew.
- C** Długość
- ABS** Ilość zębów pierścienia ABS

Abbreviations / Аббревиатуры / Skróty

MT	Manual transmission / Ручная коробка передач / Ręczna skrzynia biegów
AT	Automatic transmission / Автоматическая коробка передач / Automatyczna skrzynia biegów
L	Left side / Левая сторона / Strona lewa
R	Right side / Правая сторона / Strona prawa

Model	Year	Gearbox	Side	Body	Engine	Index	Product	Specification			
								A	B	C	ABS
CITROEN											
AX (ZA-)											
1.0 (32 kW)	1986.09-1992.06	MT	L	Hatchback	C1A	C9005	Drive Shaft	21	22	618	
	1986.09-1992.06	MT	R	Hatchback	C1A	C9006	Drive Shaft	21	22	800	
1.0 (33 kW)	1986.07-1998.12	MT	L	Hatchback	TU9	C9005	Drive Shaft	21	22	618	
	1986.07-1998.12	MT	R	Hatchback	TU9	C9006	Drive Shaft	21	22	800	
1.0 (37 kW)	1987.02-1998.12	MT	L	Hatchback	TU9	C9005	Drive Shaft	21	22	618	
	1937.02-1998.12	MT	R	Hatchback	TU9	C9006	Drive Shaft	21	22	800	
1.1 (44 kW)	1986.09-1997.12	MT	L	Hatchback	TU1	C9005	Drive Shaft	21	22	618	
	1986.09-1997.12	MT	R	Hatchback	TU1	C9006	Drive Shaft	21	22	800	
1.4 4WD (55 kW)	1991.03-1996.12	MT	L	Hatchback	TU3	C9051	Drive Shaft	21	22	614	
	1991.08-1996.12	MT	R	Hatchback	TU3	C9050	Drive Shaft	21	22	798	
1.4 (55 kW)	1987.04-1997.04	MT	L	Hatchback	TU3	C9051	Drive Shaft	21	22	614	
	1987.04-1997.04	MT	R	Hatchback	TU3	C9050	Drive Shaft	21	22	798	
1.4 D (37 kW)	1991.08-1997.12	MT	L	Hatchback	TUD3	C9051	Drive Shaft	21	22	614	
	1991.08-1997.12	MT	R	Hatchback	TUD3	C9050	Drive Shaft	21	22	798	
1.4 D (38 kW)	1988.09-1992.06	MT	L	Hatchback	TUD3	C9051	Drive Shaft	21	22	614	
	1968.09-1992.06	MT	R	Hatchback	TUD3	C9050	Drive Shaft	21	22	798	
1.5 D (40 kW)	1994.08-1997.12	MT	L	Hatchback	TUD5	C9051	Drive Shaft	21	22	614	
	1994.08-1997.12	MT	R	Hatchback	TUD5	C9050	Drive Shaft	21	22	798	
BERLINGO											
1.6 16V Petrol		MT	R	Box		C9025A	Drive Shaft	25	24	872	29W
1.8 Petrol		MT	R	Box	XU BE3	C9025A	Drive Shaft	25	24	872	29W
		MT	L	Box	XU BE3	C9026A	Drive Shaft	25	24	597	29W
1.9 Diesel		MT	R	Box	XU BE3	C9025A	Drive Shaft	25	24	872	29W
		MT	L	Box	XU BE3	C9026A	Drive Shaft	25	24	597	29W
2.0 Hdi	1999.01-	MT	R	Box		C9025A	Drive Shaft	25	24	872	29W
BERLINGO (M_)											
1.1 i (44 kW)	1996.07-		L	Box	TU1	C9023A	Drive Shaft	25	22	590.5	29T
	1996.07-	MT	L	Box	TU1	C9023	Drive Shaft	25	22	594	
	1996.07-		R	Box	TU1	C9024A	Drive Shaft	25	22	860	29T
	1996.07-	MT	R	Box	TU1	C9024	Drive Shaft	25	22	868	
1.4 i (55 kW)	1996.07-		L	Box	TU3	C9023A	Drive Shaft	25	22	590.5	29T
	1996.07-	MT	L	Box	TU3	C9023	Drive Shaft	25	22	594	
	1996.07-		R	Box	TU3	C9024A	Drive Shaft	25	22	860	29T
	1996.07-	MT	R	Box	TU3	C9024	Drive Shaft	25	22	868	
1.6 16V (80 kW)	2000.10-		R	Box	TU5	C9964A	Drive Shaft	25	24	875	48T
	2000.10-		L	Box	TU5	C9965A	Drive Shaft	25	24	586	48T
1.6 HDi 75 (55 kW)	2005.07-			Box	DV6	C113A	Outer Joint	25	34	134	48W
	2005.07-		R	Box	DV6	C9964A	Drive Shaft	25	24	875	48T
	2005.07-		L	Box	DV6	C9965A	Drive Shaft	25	24	586	48T
1.6 HDi 90 (66 kW)	2005.07-			Box	DV6	C113A	Outer Joint	25	34	134	48W
	2005.07-		R	Box	DV6	C9964A	Drive Shaft	25	24	875	48T
	2005.07-		L	Box	DV6	C9965A	Drive Shaft	25	24	586	48T
1.8 D (43 kW)	1996.07-			Box	XUD7	C111A	Outer Joint	25	34	134	29W
	1996.07-	MT	L	Box	XUD7	C9026	Drive Shaft	25	24	593	
	1996.07-	MT	L	Box	XUD7	C9026B	Drive Shaft	25	24	593	29T
	1996.07-	MT	R	Box	XUD7	C9025	Drive Shaft	25	24	868	
	1996.07-	MT	R	Box	XUD7	C9025B	Drive Shaft	25	24	868	29T

Model	Year	Gearbox	Side	Body	Engine	Index	Product	Specification			
								A	B	C	ABS
1.9 D (51 kW)	1996.07-			Box	XUD9	C111A	Outer Joint	25	34	134	29W
	1996.07-	MT	L	Box	XUD9	C9026	Drive Shaft	25	24	593	
	1996.07-	MT	L	Box	XUD9	C9026B	Drive Shaft	25	24	593	29T
	1996.07-	MT	R	Box	XUD9	C9025	Drive Shaft	25	24	868	
	1996.07-	MT	R	Box	XUD9	C9025B	Drive Shaft	25	24	868	29T
1.9 D 70 (51 kW)	1999.04-	MT	L	Box	DW8	C9026	Drive Shaft	25	24	593	
	1999.04-	MT	L	Box	DW8	C9026B	Drive Shaft	25	24	593	29T
	1999.04-	MT	R	Box	DW8	C9025	Drive Shaft	25	24	868	
	1999.04-	MT	R	Box	DW8	C9025B	Drive Shaft	25	24	868	29T
1.9 D 70 4WD (51 kW)	1998.07-		L	Box	DW8	C9966A	Drive Shaft	25	24	583	29T
	1998.07-		R	Box	DW8	C9025B	Drive Shaft	25	24	868	29T
2.0 HDi 90 (66 kW)	1999.12-	5MT		Box	DW10	C111A	Outer Joint	25	34	134	29W
	1999.12-	MT	L	Box	DW10	C9966A	Drive Shaft	25	24	583	29T
	1999.12-	MT	R	Box	DW10	C9025	Drive Shaft	25	24	868	
	1999.12-	MT	R	Box	DW10	C9025B	Drive Shaft	25	24	868	29T
	1999.12-		R	Box	DW10	C9964A	Drive Shaft	25	24	875	48T
	1999.12-		L	Box	DW10	C9965A	Drive Shaft	25	24	586	48T
2.0 HDi 90 4WD (66 kW)	2000.11-	5MT		Box	DW10	C111A	Outer Joint	25	34	134	29W
BERLINGO (MF)											
1.1 i (44 kW)	1996.07-		L	MPV	TU1	C9023A	Drive Shaft	25	22	590.5	29T
	1996.07-	MT	L	MPV	TU1	C9023	Drive Shaft	25	22	594	
	1996.07-		R	MPV	TU1	C9024A	Drive Shaft	25	22	860	29T
	1996.07-	MT	R	MPV	TU1	C9024	Drive Shaft	25	22	868	
1.4 i (55 kW)	1996.07-		L	MPV	TU3	C9023A	Drive Shaft	25	22	590.5	29T
	1996.07-	MT	L	MPV	TU3	C9023	Drive Shaft	25	22	594	
	1996.07-		R	MPV	TU3	C9024A	Drive Shaft	25	22	860	29T
	1996.07-	MT	R	MPV	TU3	C9024	Drive Shaft	25	22	868	
1.6 16V (80 kW)	2000.10-	MT	L	MPV	TU5	C9026	Drive Shaft	25	24	593	
	2000.10-	MT	L	MPV	TU5	C9026B	Drive Shaft	25	24	593	29T
	2000.10-	MT	R	MPV	TU5	C9025	Drive Shaft	25	24	868	
	2000.10-	MT	R	MPV	TU5	C9025B	Drive Shaft	25	24	868	29T
1.6 HDi 75 (55 kW)	2005.07-		R	MPV	DV6	C9964A	Drive Shaft	25	24	875	48T
	2005.07-		R	MPV	DV6	C9964A	Drive Shaft	25	24	875	48T
1.6 HDi 90 (66 kW)	2005.07-		R	MPV	DV6	C9964A	Drive Shaft	25	24	875	48T
	2005.07-		L	MPV	DV6	C9965A	Drive Shaft	25	24	586	48T
1.6 HDi 110 (80 kW)	2005.08-		R	MPV	DV6	C9964A	Drive Shaft	25	24	875	48T
	2005.08-		L	MPV	DV6	C9965A	Drive Shaft	25	24	586	48T
1.8 D (43 kW)	1998.07-			MPV	XUD7	C111A	Outer Joint	25	34	134	29W
	1998.07-	MT	L	MPV	XUD7	C9026	Drive Shaft	25	24	593	
	1998.07-	MT	L	MPV	XUD7	C9026B	Drive Shaft	25	24	593	29T
	1998.07-	MT	R	MPV	XUD7	C9025	Drive Shaft	25	24	868	
	1998.07-	MT	R	MPV	XUD7	C9025B	Drive Shaft	25	24	868	29T
1.8 i (66 kW)	1997.05-			MPV	XU7	C111A	Outer Joint	25	34	134	29W
	1997.05-	MT	L	MPV	XU7	C9026	Drive Shaft	25	24	593	
	1997.05-	MT	L	MPV	XU7	C9026B	Drive Shaft	25	24	593	29T
	1997.05-	MT	R	MPV	XU7	C9025	Drive Shaft	25	24	868	
	1997.05-	MT	R	MPV	XU7	C9025B	Drive Shaft	25	24	868	29T
1.8 i 4WD (66 kW)	1997.04-			MPV	XU7	C111A	Outer Joint	25	34	134	29W
	1997.04-	MT	L	MPV	XU7	C9026	Drive Shaft	25	24	593	

Model	Year	Gearbox	Side	Body	Engine	Index	Product	Specification			
								A	B	C	ABS
	1997.04-	MT	L	MPV	XU7	C9026B	Drive Shaft	25	24	593	29T
	1997.04-	MT	R	MPV	XU7	C9025	Drive Shaft	25	24	868	
	1997.04-	MT	R	MPV	XU7	C9025B	Drive Shaft	25	24	868	29T
1.9 D (50 kW)	1996.07-			MPV	XUD9	C111A	Outer Joint	25	34	134	29W
	1996.07-	MT	L	MPV	XUD9	C9026	Drive Shaft	25	24	593	
	1996.07-	MT	L	MPV	XUD9	C9026B	Drive Shaft	25	24	593	29T
	1996.07-	MT	R	MPV	XUD9	C9025	Drive Shaft	25	24	868	
	1996.07-	MT	R	MPV	XUD9	C9025B	Drive Shaft	25	24	868	29T
1.9 D (51 kW)	1998.07-	MT	L	MPV	DW8	C9026	Drive Shaft	25	24	593	
	1998.07-	MT	L	MPV	DW8	C9026B	Drive Shaft	25	24	593	29T
	1993.07-	MT	R	MPV	DW8	C9025	Drive Shaft	25	24	868	
	1998.07-	MT	R	MPV	DW8	C9025B	Drive Shaft	25	24	868	29T
2.0 HDi 4WD (66 kW)	2002.11-2005.10			MPV	DW10	C111A	Outer Joint	25	34	134	29W
2.0 HDi 90 (66 kW)	1999.12-	5MT		MPV	DW10	C111A	Outer Joint	25	34	134	29W
	1999.12-	MT	L	MPV	DW10	C9966A	Drive Shaft	25	24	583	29T
	1999.12-	MT	R	MPV	DW10	C9025	Drive Shaft	25	24	868	
	1999.12-	MT	R	MPV	DW10	C9025B	Drive Shaft	25	24	868	29T
	1999.12-		R	MPV	DW10	C9964A	Drive Shaft	25	24	875	48T
	1999.12-		L	MPV	DW10	C9965A	Drive Shaft	25	24	586	48T
BERLINGO MULTISPACE											
1.6 HDi	2005.10-	MT/AT				C927A	Outer Joint	25	34	133	48T
BERLINGO II											
1.6 (66 kW)	2008.04-	MT	L	Box	TU5	C9845	Drive Shaft	25	24	625	
	2008.04-	MT	R	Box	TU5	C9844	Drive Shaft	25	24	925	
1.6 (80 kW)	2008.04-	MT	L	Box	TU5	C9845	Drive Shaft	25	24	625	
	2008.04-	MT	R	Box	TU5	C9844	Drive Shaft	25	24	925	
1.6 HDi 110 (80 kW)	2008.04-	MT	L	Box	DV6	C9845	Drive Shaft	25	24	625	
1.6 HDi 75 (55 kW)	2008.04-	MT	R	Box	DV6	C9844	Drive Shaft	25	24	925	
	2008.04-	MT	L	Box	DV6	C9845	Drive Shaft	25	24	625	
1.6 HDi 90 (66 kW)	2008.04-	MT	R	Box	DV6	C9844	Drive Shaft	25	24	925	
	2008.04-	MT	L	Box	DV6	C9845	Drive Shaft	25	24	625	
BX (XB-)											
1.1 (40 kW)	1988.10-1992.06	MT		Hatchback	TU1	C101	Outer Joint	25	22	127	
1.8 D (44 kW)	1985.10-1993.09	MT		Hatchback	XUD7	C101	Outer Joint	25	22	127	
1.8 TRD Turbo (66 kW)	1988.03-1993.02	MT		Hatchback	XUD7	C105	Outer Joint	25	23	135	
	1988.03-1994.12	MT		Hatchback	XUD7	C105	Outer Joint	25	23	135	
1.4 (47 kW)	1989.01-1989.12	MT		Estate	TU3	C101	Outer Joint	25	22	127	
	1989.01-1989.12	MT		Hatchback	TLJ3A	C101	Outer Joint	25	22	127	
1.4 (55 kW)	1989.01-1993.02	MT		Estate	TU3	C101	Outer Joint	25	22	127	
	1989.01-1993.02	MT		Hatchback	TU3	C101	Outer Joint	25	22	127	
1.4 E (49 kW)	1985.09-1993.02	MT		Hatchback	150F	C101	Outer Joint	25	22	127	
1.4 E (52 kW)	1983.04-1989.07	MT		Hatchback	K1G	C101	Outer Joint	25	22	127	
1.4 E (53 kW)	1983.04-1993.02	MT		Hatchback	150C	C101	Outer Joint	25	22	127	
1.6 (56 kW)	1987.10-1992.05	MT		Estate	XU5	C101	Outer Joint	25	22	127	
	1987.10-1992.05	MT		Hatchback	XU5	C101	Outer Joint	25	22	127	
1.6 (53 kW)	1987.01-1993.02	MT		Hatchback	XU5	C101	Outer Joint	25	22	127	
	1988.09-1994.12	MT		Estate	XU5	C101	Outer Joint	25	22	127	
1.6 (55 kW)	1988.09-1993.02	MT		Hatchback	XU5	C101	Outer Joint	25	22	127	

Model	Year	Gearbox	Side	Body	Engine	Index	Product	Specification			
								A	B	C	ABS
1.6 (64 kW)	1985.07-1993.02	MT		Hatchback	171D	C101	Outer Joint	25	22	127	
	1985.07-1993.02	MT		Hatchback	171D	C105A	Outer Joint	25	23	135	90T
	1985.07-1994.12	MT		Estate	171D	C101	Outer Joint	25	22	127	
	1985.07-1994.12	MT		Estate	171D	C105A	Outer Joint	25	23	135	90T
1.6 (65 kW)	1989.05-1994.12	MT		Estate	XU5	C101	Outer Joint	25	22	127	
1.6 (66 kW)	1982.10-1988.06	MT		Hatchback	171A/B/C	C101	Outer Joint	25	22	127	
	1982.10-1988.06	MT		Hatchback	171A/B/C	C105A	Outer Joint	25	23	135	90T
	1985.06-1988.06	MT		Estate	171A/B/C	C101	Outer Joint	25	22	127	
	1985.06-1988.06	MT		Estate	171A/B/C	C105A	Outer Joint	25	23	135	90T
1.6 (63 kW)	1982.10-1992.12	MT		Hatchback	XU5	C101	Outer Joint	25	22	127	
1.6 (76 kW)	1986.03-1993.02	MT		Hatchback	180Z	C101	Outer Joint	25	22	127	
	1986.03-1993.02	MT		Hatchback	180Z	C105A	Outer Joint	25	23	135	90T
	1986.03-1994.12	MT		Estate	180Z	C101	Outer Joint	25	22	127	
	1986.03-1994.12	MT		Estate	180Z	C105A	Outer Joint	25	23	135	90T
1.6E (65 kW)	1989.05-1993.02	MT		Hatchback	XU5	C101	Outer Joint	25	22	127	
1.8 D (44 kW)	1985.10-1993.09	MT		Estate	XUD7	C101	Outer Joint	25	22	127	
1.9 (70 kW)	1986.09-1989.11	MT		Hatchback	XU9	C101	Outer Joint	25	22	127	
	1987.12-1989.12	MT		Estate	XU9	C101	Outer Joint	25	22	127	
1.9 (75 kW)	1986.07-1989.05	MT		Hatchback	159A	C101	Outer Joint	25	22	127	
	1986.07-1994.12	MT		Estate	XU9	C101	Outer Joint	25	22	127	
1.9 (77 kW)	1986.07-1989.05	MT		Hatchback	XU9	C101	Outer Joint	25	22	127	
1.9 (80 kW)	1988.06-1994.12	MT		Estate	XU9	C101	Outer Joint	25	22	127	
1.9 (88 kW)	1988.06-1994.12	MT		Estate	XU9	C101	Outer Joint	25	22	127	
1.9 4WD (80 kW)	1990.10-1991.05	MT		Estate	XU9	C101	Outer Joint	25	22	127	
1.9 Cat (75 kW)	1986.07-1994.12	MT		Estate	XU9	C101	Outer Joint	25	22	127	
1.9 D (47 kW)	1983.09-1987.12	MT		Estate	XUD9	C101	Outer Joint	25	22	127	
	1983.09-1987.12	MT		Estate	XUD9	C105A	Outer Joint	25	23	135	90T
	1983.09-1993.09	MT		Hatchback	XUD9	C101	Outer Joint	25	22	127	
	1983.09-1993.09	MT		Hatchback	XUD9	C105A	Outer Joint	25	23	135	90T
1.9 D (51 kW)	1987.03-1993.02	MT		Hatchback	XUD9	C101	Outer Joint	25	22	127	
	1987.03-1994.12	MT		Estate	XUD9	C101	Outer Joint	25	22	127	
1.9 E (80 kW)	1988.06-1993.02	MT		Hatchback	XU9	C101	Outer Joint	25	22	127	
1.9 E 4WD(80 kW)	1989.04-1993.02	MT		Hatchback	D2F	C101	Outer Joint	25	22	127	
1.9 GTi (88 kW)	1988.06-1993.02	MT		Hatchback	XU9	C101	Outer Joint	25	22	127	
1.9 GTi (90 kW)	1986.07-1993.02	MT		Hatchback	XU9	C105	Outer Joint	25	23	135	
	1986.07-1993.02	MT		Hatchback	XU9	C105A	Outer Joint	25	23	135	90T
1.9 GTi 4WD (88 kW)	1988.06-1993.02	MT		Hatchback	XU9	C101	Outer Joint	25	22	127	
C-CROSSER (EP_)											
2.2 HDi (115 kW)	2007.07-	MT	L/F	SUV	DW12	C9996	Drive Shaft	28	24	630	
	2007.07-	MT	R/F	SUV	DW12	C9997	Drive Shaft	28	24	992	
C15											
1.8 D (44 kW)	1987.04-2000.08	MT	L	Estate	XUD7	C9044	Drive Shaft	21	24	567	
	1987.04-2000.08	MT	R	Estate	XUD7	C9035D	Drive Shaft	21	24	845	
C15 (VD-)											
1.0 (33 kW)	1984.10-1997.12	MT	L	Box	TU9	C9052	Drive Shaft	21	22	572	
	1934.10-1997.12	MT	R	Box	TU9	C9053	Drive Shaft	21	22	832.5	
1.1 (35 kW)	1984.10-1996.12	MT	L	Box	109K/E1A	C9044	Drive Shaft	21	24	567	
	1984.10-1996.12	MT	R	Box	109K/E1A	C9035D	Drive Shaft	21	24	845	
1.1 i (44 kW)	1988.07-1996.12	MT	L	Box	TU1	C9052	Drive Shaft	21	22	572	

Model	Year	Gearbox	Side	Body	Engine	Index	Product	Specification			
								A	B	C	ABS
	1988.07-1996.12	MT	R	Box	TU1	C9053	Drive Shaft	21	22	832.5	
1.4 (49 kW)	1937.07-1996.12	MT	L	Box	TU3	C9052	Drive Shaft	21	22	572	
	1987.07-1996.12	MT	R	Box	TU3	C9053	Drive Shaft	21	22	832.5	
1.4 E (44 kW)	1987.05-1996.12	MT	L	Box	XY7	C9052	Drive Shaft	21	22	572	
	1987.05-1996.12	MT	R	Box	XY7	C9053	Drive Shaft	21	22	832.5	
1.4 i (55 kW)	1991.05-1996.12	MT	L	Box	TU3	C9052	Drive Shaft	21	22	572	
	1991.05-1996.12	MT	R	Box	TU3	C9053	Drive Shaft	21	22	832.5	
1.8 D (44 kW)	1986.07-2000.12	MT	L	Box	XUD7	C9044	Drive Shaft	21	24	567	
	1936.07-2000.12	MT	R	Box	XUD7	C9035D	Drive Shaft	21	24	845	
1.9 D (44 kW)	2000.12-2005.12	MT	L	Box		C9044	Drive Shaft	21	24	567	
	2000.12-2005.12	MT	R	Box		C9035D	Drive Shaft	21	24	845	
C25 (280_,290_)											
1.8 (50 kW)	1981.11-1994.01			Box	XM7T	C114	Outer Joint	28	27	176	
	1981.11-1994.01			Bus	XM7T	C114	Outer Joint	28	27	176	
1.8 E (51 kW)	1987.07-1994.02			Bus	XM7T	C114	Outer Joint	28	27	176	
	1987.07-1994.02	MT	L	Bus	XM7T	C9013	Drive Shaft	28	25	701	
	1987.07-1994.02	MT	R	Bus	XM7T	C9014	Drive Shaft	28	25	1068	
1.9 D (51 kW)	1987.07-1994.02	MT	L	Bus	XUD9	C9013	Drive Shaft	28	25	701	
	1987.07-1994.02	MT	R	Bus	XUD9	C9014	Drive Shaft	28	25	1068	
1.9 TD (60 kW)	1992.04-1994.02			Bus	M705	C114	Outer Joint	28	27	176	
2.0 (57 kW)	1981.11-1986.12			Platform		C114	Outer Joint	28	27	176	
2.0 (62 kW)	1987.01-1994.03			Platform	XN1T	C114	Outer Joint	28	27	176	
	1987.01-1994.03	MT	L	Platform	XN1T	C9013	Drive Shaft	28	25	701	
	1987.01-1994.03	MT	R	Platform	XN1T	C9014	Drive Shaft	28	25	1068	
	1991.02-1994.02			Bus	XN1T	C114	Outer Joint	28	27	176	
	1991.02-1994.02	MT	L	Bus	XN1T	C9013	Drive Shaft	28	25	701	
	1991.02-1994.02	MT	R	Bus	XN1T	C9014	Drive Shaft	28	25	1068	
	1991.02-1994.03			Box	XN1T	C114	Outer Joint	28	27	176	
	1991.02-1994.03	MT	L	Box	XN1T	C9013	Drive Shaft	28	25	701	
	1991.02-1994.03	MT	R	Box	XN1T	C9014	Drive Shaft	28	25	1068	
2.0 E (58 kW)	1981.09-1994.02			Bus	XN1T	C114	Outer Joint	28	27	176	
	1981.09-1994.02	MT	L	Bus	XN1T	C9013	Drive Shaft	28	25	701	
	1981.09-1994.02	MT	R	Bus	XN1T	C9014	Drive Shaft	28	25	1068	
	1981.09-1994.03			Bus	XN1T	C114	Outer Joint	28	27	176	
	1981.09-1994.03	MT	L	Bus	XN1T	C9013	Drive Shaft	28	25	701	
	1981.09-1994.03	MT	R	Bus	XN1T	C9014	Drive Shaft	28	25	1068	
2.5 D (54 kW)	1985.10-1994.02			Bus	CRD93	C114	Outer Joint	28	27	176	
	1985.10-1994.02	MT	L	Bus	CRD93	C9013	Drive Shaft	28	25	701	
	1985.10-1994.02	MT	R	Bus	CRD93	C9014	Drive Shaft	28	25	1068	
2.5 D (55 kW)	1981.11-1994.01			Box	CRD93	C114	Outer Joint	28	27	176	
	1981.11-1994.01			Bus		C114	Outer Joint	28	27	176	
	1983.11-1994.01			Platform	CRD93	C114	Outer Joint	28	27	176	
2.5 D 4WD (54 kW)	1987.01-1994.02			Bus	CRD93	C114	Outer Joint	28	27	176	
2.5 D 4WD (55 kW)	1983.11-1986.12			Box		C114	Outer Joint	28	27	176	
2.5 D Turbo (70 kW)	1987.08-1994.02			Bus	CRD93	C114	Outer Joint	28	27	176	
	1987.08-1994.02	MT	L	Bus	CRD93	C9013	Drive Shaft	28	25	701	
	1987.08-1994.02	MT	R	Bus	CRD93	C9014	Drive Shaft	28	25	1068	
2.5 D Turbo 4WD (70 kW)	1987.08-1994.02			Bus	CRD93	C114	Outer Joint	28	27	176	
	1987.08-1994.02	MT	L	Bus	CRD93	C9013	Drive Shaft	28	25	701	

Model	Year	Gearbox	Side	Body	Engine	Index	Product	Specification			
								A	B	C	ABS
	1987.08-1994.02	MT	R	Bus	CRD93	C9014	Drive Shaft	28	25	1068	
2.5 DT (70 kW)	1987.01-1994.01			Platform	CRD93	C114	Outer Joint	28	27	176	
	1991.08-1994.01			Box	CRD93	C114	Outer Joint	28	27	176	
2.5 DT 4WD (70 kW)	1991.08-1994.01			Box	CRD93	C114	Outer Joint	28	27	176	
C1											
1.0 (50 kW)	2005.06-	MT	L	Hatchback	1KR-FE	C9059	Drive Shaft	24	23	649	
	2005.06-	MT	R	Hatchback	1KR-FE	C9058	Drive Shaft	24	23	839	
1.4 HDi (40 kW)	2005.06-	MT	L	Hatchback	DV4TD	C9060	Drive Shaft	24	23	593	
	2005.06-			Hatchback	DV4TD	C935	Outer Joint	24	20	137	
C2 (JM_)											
1.1 (44 kW)	2003.09-			Hatchback	TU1	C917	Outer Joint	21	20	137	
	2003.09-		L	Hatchback	TU1	C9812	Drive Shaft	21	22	643	
	2003.09-		R	Hatchback	TU1	C9813	Drive Shaft	21	22	841	
1.4 (54 kW)	2003.09-			Hatchback	TU3	C917	Outer Joint	21	20	137	
	2003.09-	MT	L	Hatchback	TU3	C9812	Drive Shaft	21	22	643	
	2003.09-	MT	R	Hatchback	TU3	C9813	Drive Shaft	21	22	841	
1.4 (55 kW)	2006.10-			Hatchback	TU3	C917	Outer Joint	21	20	137	
1.4 16V (65 kW)	2006.06-			Hatchback	ET3	C917	Outer Joint	21	20	137	
1.4 HDi (50 kW)	2003.09-		L	Hatchback	DV4	C9816	Drive Shaft	21	22	643	
	2003.09-		R	Hatchback	DV4	C9817	Drive Shaft	21	22	849	
1.6 16V (80 kW)	2003.09-			Hatchback	TU5	C109	Outer Joint	21	22	141	
1.6 VTS (90 kW)	2005.01-			Hatchback	TU5	C110	Outer Joint	21	28	143	
C3 (FC_)											
1.1 i (44 kW)	2002.02-			Hatchback	TU1	C108	Outer Joint	21	21	141	
	2002.02-		L	Hatchback	TU1	C9812	Drive Shaft	21	22	643	
	2002.02-		R	Hatchback	TU1	C9813	Drive Shaft	21	22	841	
1.4 HDi (50 kW)	2002.02-		L	Hatchback	DV4	C9814	Drive Shaft	21	22	636	
	2002.02-		R	Hatchback	DV4	C9815	Drive Shaft	21	22	852	
	2002.02-			Hatchback	DV4	C108	Outer Joint	21	21	141	
	2002.02-		L	Hatchback	DV4	C9816	Drive Shaft	21	22	643	
	2002.02-		R	Hatchback	DV4	C9817	Drive Shaft	21	22	849	
1.4 HDi 16V (66 kW)	2002.02-		L	Hatchback	DV4	C9814	Drive Shaft	21	22	636	
	2002.02-		R	Hatchback	DV4	C9815	Drive Shaft	21	22	852	
	2002.02-			Hatchback	DV4	C108	Outer Joint	21	21	141	
	2002.02-			Hatchback	DV4	C109	Outer Joint	21	22	141	
1.4 i (54 kW)	2002.02-	MT/AT		Hatchback	TU3	C108	Outer Joint	21	21	141	
	2002.02-	MT	L	Hatchback	TU3	C9812	Drive Shaft	21	22	643	
	2002.02-	MT	R	Hatchback	TU3	C9813	Drive Shaft	21	22	841	
1.4 i Bivalent (54 kW)	2002.02-	MT/AT		Hatchback	TU3	C108	Outer Joint	21	21	141	
	2002.02-		L	Hatchback	TU3	C9812	Drive Shaft	21	22	643	
	2002.02-		R	Hatchback	TU3	C9813	Drive Shaft	21	22	841	
1.4 16V (65 kW)	2003.12-			Hatchback	ET3	C109	Outer Joint	21	22	141	
1.6 16V (80 kW)	2002.02-			Hatchback	TU5	C109	Outer Joint	21	22	141	
1.6 16V HDi (66 kW)	2005.10-			Hatchback	DV6	C109	Outer Joint	21	22	141	
1.6 16V HDi (80 kW)	2005.09-			Hatchback	DV6	C109	Outer Joint	21	22	141	
C3 PICASSO											
1.6 HDi (66 kW)	2009.02-			MPV	DV6	C113A	Outer Joint	25	34	134	48W
	2009.02-		L	MPV	DV6	C9062	Drive Shaft	25	24	645	
	2009.02-		R	MPV	DV6	C9063	Drive Shaft	25	24	860	

Model	Year	Gearbox	Side	Body	Engine	Index	Product	Specification			
								A	B	C	ABS
1.6 HDi (68 kW)	2010.07-		L	MPV	DV6	C9062	Drive Shaft	25	24	645	
	2010.07-		R	MPV	DV6	C9063	Drive Shaft	25	24	860	
1.6 HDi (80 kW)	2009.02-			MPV	DV6	C113A	Outer Joint	25	34	134	48W
	2009.02-		L	MPV	DV6	C9062	Drive Shaft	25	24	645	
	2009.02-		R	MPV	DV6	C9063	Drive Shaft	25	24	860	
1.6 HDi (82 kW)	2010.05-		L	MPV	DV6	C9998	Drive Shaft	25	24	626	
	2010.05-			MPV	DV6	C934	Outer Joint	25	34	134	
1.6 HDi (84 kW)	2013.01-		L	MPV	DV6	C9998	Drive Shaft	25	24	626	
	2013.01-			MPV	DV6	C934	Outer Joint	25	34	134	
C3 PLURIEL (HB_)											
1.4 i (54 kW)	2003.05-	MT/AT		Convertible	TU3	C108	Outer Joint	21	21	141	
	2003.05-			Convertible	TU3	C110	Outer Joint	21	28	143	
	2003.05-	MT	L	Convertible	TU3	C9812	Drive Shaft	21	22	643	
	2003.05-	MT	R	Convertible	TU3	C9813	Drive Shaft	21	22	841	
1.4 Hybrid (54 kW)	2005.05-			Convertible	TU3	C110	Outer Joint	21	28	143	
1.4 HDi (50 kW)	2004.04-			Convertible	DV4	C108	Outer Joint	21	21	141	
	2004.04-			Convertible	DV4	C109	Outer Joint	21	22	141	
	2004.04-		L	Convertible	DV4	C9816	Drive Shaft	21	22	643	
	2004.04-		R	Convertible	DV4	C9817	Drive Shaft	21	22	849	
1.6 16V (80 kW)	2003.05-			Convertible	TU5	C109	Outer Joint	21	22	141	
C3 II											
1.0 VTi (50 kW)	2012.08-			Hatchback		C934	Outer Joint	25	34	134	
1.2 VTi (60 kW)	2012.06-			Hatchback		C934	Outer Joint	25	34	134	
1.6 HDi (82 kW)	2009.11-		L	Hatchback	DV6	C9998	Drive Shaft	25	24	626	
	2009.11-			Hatchback	DV6	C934	Outer Joint	25	34	134	
1.6 HDi (84 kW)	2012.09-		L	Hatchback	DV6	C9998	Drive Shaft	25	24	626	
	2012.09-			Hatchback	DV6	C934	Outer Joint	25	34	134	
C4											
1.6 16V (80 kW)	2006.07-			Saloon	TU5	C102	Outer Joint	25	22	134	
1.6 HDi (80 kW)	2006.07-			Saloon	DV6	C112	Outer Joint	25	34	145	
2.0 16V (103 kW)	2006.07-			Saloon	EW10	C112	Outer Joint	25	34	145	
C4 (LA_)											
1.4 16V (65 kW)	2004.11-	MT	L	Coupe	ET3	C9084	Drive Shaft	25	24	630	
	2004.11-	MT	R	Coupe	ET3	C9844	Drive Shaft	25	24	925	
	2004.11-			Coupe	ET3	C102	Outer Joint	25	22	134	
	2004.11-	MT	L	Coupe	ET3	C9848	Drive Shaft	25	22	633	
	2004.11-	MT	R	Coupe	ET3	C9849	Drive Shaft	25	22	915	
1.6 16V (80 kW)	2004.11-	MT	L	Coupe	TU5	C9084	Drive Shaft	25	24	630	
	2004.11-	MT	R	Coupe	TU5	C9844	Drive Shaft	25	24	925	
	2004.11-			Coupe	TU5	C102	Outer Joint	25	22	134	
	2004.11-	MT	L	Coupe	TU5	C9848	Drive Shaft	25	22	633	
	2004.11-	MT	R	Coupe	TU5	C9849	Drive Shaft	25	22	915	
1.6 VTi (88 kW)	2008.07-	AT		Coupe	EP6	C934	Outer Joint	25	34	134	
1.6 THP (110 kW)	2008.07-	AT		Coupe	EP6	C934	Outer Joint	25	34	134	
1.6 HDi (66 kW)	2004.11-			Coupe	DV6	C112	Outer Joint	25	34	145	
	2004.11-	MT	L	Coupe	DV6	C9845	Drive Shaft	25	24	625	
	2004.11-	MT	R	Coupe	DV6	C9844	Drive Shaft	25	24	925	
1.6 HDi (80 kW)	2004.11-			Coupe	DV6	C112	Outer Joint	25	34	145	
	2004.11-	MT	L	Coupe	DV6	C9845	Drive Shaft	25	24	625	

Model	Year	Gearbox	Side	Body	Engine	Index	Product	Specification			
								A	B	C	ABS
	2004.11-	MT	R	Coupe	DV6	C9844	Drive Shaft	25	24	925	
2.0 16V (100 kW)	2004.11-			Coupe	EW10	C112	Outer Joint	25	34	145	
	2004.11-	MT	L	Coupe	EW10	C9845	Drive Shaft	25	24	625	
	2004.11-	MT	R	Coupe	EW10	C9844	Drive Shaft	25	24	925	
2.0 16V (130 kW)	2004.11-	MT	L	Coupe	EW10	C9845	Drive Shaft	25	24	625	
	2004.11-	MT	R	Coupe	EW10	C9844	Drive Shaft	25	24	925	
	2004.11-			Coupe	EW10	C934	Outer Joint	25	34	134	
2.0 HDi (100 kW)	2004.11-	6MT	L	Coupe	DW10	C9847	Drive Shaft	25	37	621	
	2004.11-	6MT	R	Coupe	DW10	C9846	Drive Shaft	25	37	919	
C4 (LC_)											
1.4 16V (65 kW)	2004.11-	MT	L	Hatchback	ET3	C9084	Drive Shaft	25	24	630	
	2004.11-	MT	R	Hatchback	ET3	C9844	Drive Shaft	25	24	925	
	2004.11-			Hatchback	ET3	C102	Outer Joint	25	22	134	
	2004.11-	MT	L	Hatchback	ET3	C9848	Drive Shaft	25	22	633	
	2004.11-	MT	R	Hatchback	ET3	C9849	Drive Shaft	25	22	915	
1.6 16V (80 kW)	2004.11-	MT	L	Hatchback	TU5	C9084	Drive Shaft	25	24	630	
	2004.11-	MT	R	Hatchback	TU5	C9844	Drive Shaft	25	24	925	
	2004.11-			Hatchback	TU5	C102	Outer Joint	25	22	134	
	2004.11-	MT	L	Hatchback	TU5	C9848	Drive Shaft	25	22	633	
	2004.11-	MT	R	Hatchback	TU5	C9849	Drive Shaft	25	22	915	
1.6 HDi (66 kW)	2004.11-			Hatchback	DV6	C112	Outer Joint	25	34	145	
	2004.11-	MT	L	Hatchback	DV6	C9845	Drive Shaft	25	24	625	
	2004.11-	MT	R	Hatchback	DV6	C9844	Drive Shaft	25	24	925	
1.6 HDi (80 kW)	2004.11-			Hatchback	DV6	C112	Outer Joint	25	34	145	
	2004.11-	MT	L	Hatchback	DV6	C9845	Drive Shaft	25	24	625	
	2004.11-	MT	R	Hatchback	DV6	C9844	Drive Shaft	25	24	925	
1.6 VTi 120 (88 kW)	2008.07-		L	Hatchback	EP6	C9845	Drive Shaft	25	24	625	
	2008.07-		R	Hatchback	EP6	C9844	Drive Shaft	25	24	925	
	2008.07-	AT		Hatchback	EP6	C934	Outer Joint	25	34	134	
1.6 THP (103 kW)	2008.07-	AT		Hatchback	EP6	C934	Outer Joint	25	34	134	
1.6 THP (110 kW)	2008.07-	AT		Hatchback	EP6	C934	Outer Joint	25	34	134	
2.0 16V (100 kW)	2004.11-			Hatchback	EW10	C112	Outer Joint	25	34	145	
	2004.11-	MT	L	Hatchback	EW10	C9845	Drive Shaft	25	24	625	
	2004.11-	MT	R	Hatchback	EW10	C9844	Drive Shaft	25	24	925	
2.0 16V (103 kW)	2004.11-			Hatchback	EW10	C112	Outer Joint	25	34	145	
	2004.11-	MT	L	Hatchback	EW10	C9845	Drive Shaft	25	24	625	
	2004.11-	MT	R	Hatchback	EW10	C9844	Drive Shaft	25	24	925	
2.0 16V (130 kW)	2004.11-	MT	L	Hatchback	EW10	C9845	Drive Shaft	25	24	625	
	2004.11-	MT	R	Hatchback	EW10	C9844	Drive Shaft	25	24	925	
	2004.11-			Hatchback	EW10	C934	Outer Joint	25	34	134	
2.0 HDi (100 kW)	2004.11-	6MT	L	Hatchback	DW10	C9847	Drive Shaft	25	37	621	
	2004.11-	6MT	R	Hatchback	DW10	C9846	Drive Shaft	25	37	919	
2.0 HDi (103 kW)	2008.07-	MT	L	Hatchback	DW10	C9847	Drive Shaft	25	37	621	
	2008.07-	MT	R	Hatchback	DW10	C9846	Drive Shaft	25	37	919	
C4 II (B7)											
1.4 VTi 95 (70 kW)	2009.11-		L	Hatchback	EP3	C9062	Drive Shaft	25	24	645	
1.6 VTi 120 (88 kW)	2009.11-		L	Hatchback	EP6	C9062	Drive Shaft	25	24	645	
	2009.11-			Hatchback	EP6	C934	Outer Joint	25	34	134	
1.6 VTi 120 LPG (88 kW)	2011.09-		L	Hatchback	EP6	C9062	Drive Shaft	25	24	645	

Model	Year	Gearbox	Side	Body	Engine	Index	Product	Specification			
								A	B	C	ABS
1.6 THP (115 kW)	2009.11-		L	Hatchback	EP6	C9998	Drive Shaft	25	24	626	
	2009.11-		R	Hatchback	EP6	C9999	Drive Shaft	25	24	940	
	2009.11-			Hatchback	EP6	C934	Outer Joint	25	34	134	
1.6 HDi 90 (68 kW)	2009.11-		L	Hatchback	DV6	C9062	Drive Shaft	25	24	645	
1.6 HDi (82 kW)	2009.11-		L	Hatchback	DV6	C9998	Drive Shaft	25	24	626	
	2009.11-		R	Hatchback	DV6	C9999	Drive Shaft	25	24	940	
	2009.11-			Hatchback	DV6	C934	Outer Joint	25	34	134	
1.6 HDi (84 kW)	2012.07-	MT/AT	L	Hatchback	DV6	C9998	Drive Shaft	25	24	626	
	2012.07-	MT/AT	R	Hatchback	DV6	C9999	Drive Shaft	25	24	940	
	2012.07-			Hatchback	DV6	C934	Outer Joint	25	34	134	
2.0 HDi (110 kW)	2009.11-			Hatchback	DW10	C934	Outer Joint	25	34	134	
C4 GRAND PICASSO (UA_)											
1.6 16V (103 kW)	2008.07-	MT/AT		MPV	EP6	C934	Outer Joint	25	34	134	
1.6 16V (110 kW)	2008.10-	MT/AT		MPV	EP6	C934	Outer Joint	25	34	134	
1.6 THP (115 kW)	2010.09-			MPV	EP6	C934	Outer Joint	25	34	134	
1.6 VTi 120 (88 kW)	2008.07-		L	MPV	EP6	C9845	Drive Shaft	25	24	625	
	2008.07-		R	MPV	EP6	C9844	Drive Shaft	25	24	925	
	2008.07-			MPV	EP6	C934	Outer Joint	25	34	134	
1.6 THP (115 kW)	2010.09-			MPV	EP6	C934	Outer Joint	25	34	134	
1.6 HDi (80 kW)	2006.10-		L	MPV	DV6	C9845	Drive Shaft	25	24	625	
	2006.10-		R	MPV	DV6	C9844	Drive Shaft	25	24	925	
	2006.12-			MPV	DV6	C934	Outer Joint	25	34	134	
1.6 HDi (82 kW)	2010.09-	MT/AT/4MT		MPV	DV6	C934	Outer Joint	25	34	134	
1.8 i 16V (92 kW)	2006.10-		L	MPV	EW7	C9845	Drive Shaft	25	24	625	
	2006.10-		R	MPV	EW7	C9844	Drive Shaft	25	24	925	
	2006.12-			MPV	EW7	C934	Outer Joint	25	34	134	
2.0 HDi (110 kW)	2009.07-	4MT/AT		MPV	DW10	C934	Outer Joint	25	34	134	
2.0 HDi (120 kW)	2010.09-	4MT/AT		MPV	DW10	C934	Outer Joint	25	34	134	
2.0 i 16V (103 kW)	2006.12-	MT/AT		MPV	EW10	C934	Outer Joint	25	34	134	
C4 PICASSO (UD_)											
1.6 HDi (80 kW)	2007.02-		L	MPV	DV6	C9845	Drive Shaft	25	24	625	
1.6 VTi 120 (88 kW)	2008.07-		L	MPV	EP6	C9845	Drive Shaft	25	24	625	
	2008.07-		R	MPV	EP6	C9844	Drive Shaft	25	24	925	
1.8 i 16V (92 kW)	2007.02-		L	MPV	EW7	C9845	Drive Shaft	25	24	625	
	2007.02-		R	MPV	EW7	C9844	Drive Shaft	25	24	925	
C4 PICASSO II											
1.6 THP (115 kW)	2013.02-	AT		MPV	DW10	C934	Outer Joint	25	34	134	
1.6 VTi (88 kW)	2013.02-	AT		MPV	DW10	C934	Outer Joint	25	34	134	
2.0 BlueHDi (110 kW)	2013.09-	AT		MPV	DW10	C934	Outer Joint	25	34	134	
C5 (DC_)											
1.8 16V (85 kW)	2001.03-2004.08	MT		Hatchback	EW7	C117	Outer Joint	25	34	144	
	2001.03-2004.08	MT	R	Hatchback	EW7	C9068	Drive Shaft	25	24	936	
2.0 16V (100 kW)	2001.03-2004.08			Hatchback	EW10	C117	Outer Joint	25	34	144	
	2001.03-2004.08	MT	L	Hatchback	EW10	C9067	Drive Shaft	25	24	648	
	2001.03-2004.08	MT	R	Hatchback	EW10	C9068	Drive Shaft	25	24	936	
2.0 16V HPi (103 kW)	2001.03-2004.08			Hatchback	EW10D	C117	Outer Joint	25	34	144	
	2001.03-2004.08	MT	L	Hatchback	EW10D	C9067	Drive Shaft	25	24	648	
	2001.03-2004.08	MT	R	Hatchback	EW10D	C9068	Drive Shaft	25	24	936	
2.0 HDi (66 kW)	2001.03-2004.08	MT	L	Hatchback	DW10	C9067	Drive Shaft	25	24	648	

Model	Year	Gearbox	Side	Body	Engine	Index	Product	Specification			
								A	B	C	ABS
	2001.03-2004.08	MT	R	Hatchback	DW10	C9068	Drive Shaft	25	24	936	
2.0 HDi (80 kW)	2001.03-2004.08	MT	L	Hatchback	DW10	C9839	Drive Shaft	25	37	638	
	2001.03-2004.08	MT	R	Hatchback	DW10	C9840	Drive Shaft	25	37	944	
2.2 HDi (98 kW)	2001.03-2004.08	MT	R	Hatchback	DW12	C9841	Drive Shaft	25	37	948	
	2001.03-2004.08	MT	L	Hatchback	DW12	C9842	Drive Shaft	25	37	628	
	2001.03-2004.08	MT		Hatchback	DW12	C116	Outer Joint	25	26	152	
	2001.03-2004.08	MT		Hatchback	DW12	C117	Outer Joint	25	34	144	
3.0 V6 (152 kW)	2001.03-2004.08	MT	L	Hatchback	ES9	C9839	Drive Shaft	25	37	638	
	2001.03-2004.08	MT	R	Hatchback	ES9	C9840	Drive Shaft	25	37	944	
	2001.03-2004.08	MT		Hatchback	ES9	C116	Outer Joint	25	26	152	
C5 (DE_)											
1.8 16V (85 kW)	2001.06-2004.08	MT		Estate	EW7	C117	Outer Joint	25	34	144	
	2001.06-2004.08	MT	R	Estate	EW7	C9068	Drive Shaft	25	24	936	
2.0 16V (100 kW)	2001.06-2004.08			Estate	EW10	C117	Outer Joint	25	34	144	
	2001.06-2004.08	MT	L	Estate	EW10	C9067	Drive Shaft	25	24	648	
	2001.06-2004.08	MT	R	Estate	EW10	C9068	Drive Shaft	25	24	936	
2.0 16V HPi (103 kW)	2001.06-2004.08			Estate	EW10D	C117	Outer Joint	25	34	144	
	2001.06-2004.08	MT	L	Estate	EW10D	C9067	Drive Shaft	25	24	648	
	2001.06-2004.08	MT	R	Estate	EW10D	C9068	Drive Shaft	25	24	936	
2.0 HDi (79 kW)	2001.06-2004.08	MT	R	Estate	DW10	C9841	Drive Shaft	25	37	948	
	2001.06-2004.08	MT	L	Estate	DW10	C9842	Drive Shaft	25	37	628	
2.2 HDi (98 kW)	2001.06-2004.08	MT	R	Estate	DW12	C9841	Drive Shaft	25	37	948	
	2001.06-2004.08	MT	L	Estate	DW12	C9842	Drive Shaft	25	37	628	
	2001.06-2004.08	MT		Estate	DW12	C116	Outer Joint	25	26	152	
	2001.06-2004.08	MT		Estate	DW12	C117	Outer Joint	25	34	144	
	2001.06-2004.08	MT	L	Estate	DW12	C9991	Drive Shaft	25	37	630	
3.0 V6 (152 kW)	2001.06-2004.08	MT	L	Estate	ES9	C9839	Drive Shaft	25	37	638	
	2001.06-2004.08	MT	R	Estate	ES9	C9840	Drive Shaft	25	37	944	
	2001.06-2004.08	MT		Estate	ES9	C116	Outer Joint	25	26	152	
C5 FL (RC_)											
1.6 HDi (80 kW)	2004.09-			Hatchback	DV6	C117	Outer Joint	25	34	144	
	2004.09-	MT	L	Hatchback	DV6	C9067	Drive Shaft	25	24	648	
	2004.09-	MT	R	Hatchback	DV6	C9068	Drive Shaft	25	24	936	
1.8 16V (85 kW)	2004.09-			Hatchback	EW7	C117	Outer Joint	25	34	144	
	2004.09-	MT	R	Hatchback	EW7	C9068	Drive Shaft	25	24	936	
1.8 16V (92 kW)	2004.09-			Hatchback	EW7	C117	Outer Joint	25	34	144	
	2004.09-	MT	R	Hatchback	EW7	C9068	Drive Shaft	25	24	936	
2.0 16V (103 kW)	2004.09-			Hatchback	EW10	C117	Outer Joint	25	34	144	
	2004.09-	MT	L	Hatchback	EW10	C9067	Drive Shaft	25	24	648	
	2004.09-	MT	R	Hatchback	EW10	C9068	Drive Shaft	25	24	936	
2.0 HDi (100 kW)	2004.09-		R	Hatchback	DW10	C9990	Drive Shaft	25	37	947	
	2004.09-			Hatchback	DW10	C9991	Drive Shaft	25	37	630	
2.2 HDi (98 kW)	2004.09-		L	Hatchback	DW12	C9991	Drive Shaft	25	37	630	
2.2 HDi (125 kW)	2006.08-		L	Hatchback	DW12	C9991	Drive Shaft	25	37	630	
C5 FL (RE_)											
1.6 HDi (80 kW)	2004.09-			Estate	DV6	C117	Outer Joint	25	34	144	
	2004.09-	MT	L	Estate	DV6	C9067	Drive Shaft	25	24	648	
	2004.09-	MT	R	Estate	DV6	C9068	Drive Shaft	25	24	936	
1.8 16V (85 kW)	2004.09-			Estate	EW7	C117	Outer Joint	25	34	144	

Model	Year	Gearbox	Side	Body	Engine	Index	Product	Specification			
								A	B	C	ABS
1.8 16V (92 kW)	2004.09-			Estate	EW7	C117	Outer Joint	25	34	144	
2.0 16V (103 kW)	2004.09-			Estate	EW10	C117	Outer Joint	25	34	144	
	2004.09-	MT	L	Estate	EW10	C9067	Drive Shaft	25	24	648	
	2004.09-	MT	R	Estate	EW10	C9068	Drive Shaft	25	24	936	
2.0 HDi (100 kW)	2004.09-		R	Estate	DW10	C9990	Drive Shaft	25	37	947	
	2004.09-		L	Estate	DW10	C9991	Drive Shaft	25	37	630	
2.2 HDi (98 kW)	2004.09-		L	Estate	DW12	C9991	Drive Shaft	25	37	630	
2.2 HDi (125 kW)	2006.08-		L	Estate	DW12	C9991	Drive Shaft	25	37	630	
C5 II (RD_)											
1.6 HDi (80 kW)	2008.02-			Saloon	DV6	C932	Outer Joint	28	34	147	
	2008.02-		R	Saloon	DV6	C9989	Drive Shaft	28	24	951	
1.6 HDi 110 (82 kW)	2010.07-			Saloon	DV6	C932	Outer Joint	28	34	147	
1.8 16V (92 kW)	2008.02-			Saloon	EW7	C117	Outer Joint	25	34	144	
	2008.02-		R	Saloon	EW7	C9989	Drive Shaft	28	24	951	
2.0 16V (103 kW)	2008.02-			Saloon	EW10	C932	Outer Joint	28	34	147	
	2008.02-		R	Saloon	EW10	C9989	Drive Shaft	28	24	951	
2.0 HDi (100 kW)	2008.02-			Saloon	DW10	C910	Outer Joint	28	39	156	
	2008.02-	AT	L	Saloon	DW10	C9994	Drive Shaft	28	37	640	
	2008.02-	AT	R	Saloon	DW10	C9995	Drive Shaft	28	37	980	
	2008.02-	AT		Saloon	DW10	C933	Outer Joint	28	26		
2.0 HDi 140 (103 kW)	2009.04-	AT	L	Saloon	DW10	C9994	Drive Shaft	28	37	640	
	2009.04-	AT	R	Saloon	DW10	C9995	Drive Shaft	28	37	980	
	2009.04-	AT		Saloon	DW10	C933	Outer Joint	28	26		
2.7 HDi (150 kW)	2008.02-	AT	L	Saloon	DT17	C9994	Drive Shaft	28	37	640	
	2008.02-	AT		Saloon	DT17	C933	Outer Joint	28	26		
3.0 V6 (155 kW)	2008.02-	AT	L	Saloon	ES9	C9994	Drive Shaft	28	37	640	
	2008.02-	AT		Saloon	ES9	C933	Outer Joint	28	26		
C5 II (TD_)											
1.6 HDi (80 kW)	2008.02-			Estate	DV6	C932	Outer Joint	28	34	147	
	2008.02-		R	Estate	DV6	C9989	Drive Shaft	28	24	951	
1.6 HDi 110 (82 kW)	2010.07-			Estate	DV6	C932	Outer Joint	28	34	147	
1.8 16V (92 kW)	2008.02-			Estate	EW7	C117	Outer Joint	25	34	144	
	2008.02-		R	Estate	EW7	C9989	Drive Shaft	28	24	951	
2.0 16V (103 kW)	2008.02-			Estate	EW10	C932	Outer Joint	28	34	147	
	2008.02-		R	Estate	EW10	C9989	Drive Shaft	28	24	951	
2.0 HDi (100 kW)	2008.02-			Estate	DW10	C910	Outer Joint	28	39	156	
	2008.02-	AT	L	Estate	DW10	C9994	Drive Shaft	28	37	640	
	2008.02-	AT	R	Estate	DW10	C9995	Drive Shaft	28	37	980	
	2008.02-			Estate	DW10	C933	Outer Joint	28	26		
2.0 HDi 140 (103 kW)	2009.04-	AT	L	Estate	DW10	C9994	Drive Shaft	28	37	640	
	2009.04-	AT	R	Estate	DW10	C9995	Drive Shaft	28	37	980	
	2009.04-			Estate	DW10	C933	Outer Joint	28	26		
2.7 HDi (150 kW)	2008.02-	AT	L	Estate	DT17	C9994	Drive Shaft	28	37	640	
	2008.02-	AT		Estate	DT17	C933	Outer Joint	28	26		
3.0 V6 (155 kW)	2008.02-	AT	L	Estate	ES9	C9994	Drive Shaft	28	37	640	
	2008.02-	AT		Estate	ES9	C933	Outer Joint	28	26		
C6 (TD_)											
2.7 HDi (150 kW)	2005.09-	AT	L	Saloon	ES9	C9994	Drive Shaft	28	37	640	
	2005.09-	AT		Saloon	ES9	C933	Outer Joint	28	26		

Model	Year	Gearbox	Side	Body	Engine	Index	Product	Specification			
								A	B	C	ABS
3.0 V6 (155 kW)	2005.09-	AT	L	Saloon	ES9	C9994	Drive Shaft	28	37	640	
	2005.09-	AT		Saloon	ES9	C933	Outer Joint	28	26		
C8 (EA,EB)											
2.0 HDi (79 kW)	2002.07-			MPV	DW10	C911	Outer Joint	27	28	144	
2.2 HDi (94 kW)	2002.07-			MPV	DW12	C932	Outer Joint	28	34	147	
EVASION (22,U6)											
1.8 (73 kW)	1997.05-2002.07	MT	L	MPV	XU7	C9028A	Drive Shaft	27	24	648	48T
	1997.05-2002.07	MT	R	MPV	XU7	C9027	Drive Shaft	27	24	928	
	1997.05-2002.07	MT	R	MPV	XU7	C9027A	Drive Shaft	27	24	928	48T
1.9 TD (66 kW)	1994.11-2002.07			MPV	XUD9	C914A	Outer Joint	27	39	145	48T
	1994.11-2002.07	MT	L	MPV	XUD9	C9021A	Drive Shaft	27	37	641	48T
	1994.11-2002.07	MT	R	MPV	XUD9	C9022	Drive Shaft	27	37	947	
	1994.11-2002.07	MT	R	MPV	XUD9	C9022A	Drive Shaft	27	37	947	48T
1.9 TD (68 kW)	1995.10-1998.12			MPV	XUD9	C914	Outer Joint	27	39	145	
2.0 (89 kW)	1994.06-2002.07			MPV	XU10	C915A	Outer Joint	27	34	137	48T
	1994.06-2002.07	MT	L	MPV	XU10	C9028A	Drive Shaft	27	24	648	48T
	1994.06-2002.07	MT	R	MPV	XU10	C9027	Drive Shaft	27	24	928	
	1994.06-2002.07	MT	R	MPV	XU10	C9027A	Drive Shaft	27	24	928	48T
2.0 16V (97 kW)	1998.05-2000.04	MT	L	MPV	XU10	C9021A	Drive Shaft	27	37	641	48T
	1998.05-2000.04	MT	R	MPV	XU10	C9022	Drive Shaft	27	37	947	
	1998.05-2000.04	MT	R	MPV	XU10	C9022A	Drive Shaft	27	37	947	48T
2.0 HDi (80 kW)	1999.08-2002.07			MPV	DW10	C914	Outer Joint	27	39	145	
	1999.08-2002.07			MPV	DW10	C914A	Outer Joint	27	39	145	48T
	1999.08-2002.07	MT	L	MPV	DW10	C9021A	Drive Shaft	27	37	641	48T
	1999.08-2002.07	MT	R	MPV	DW10	C9022	Drive Shaft	27	37	947	
	1999.08-2002.07	MT	R	MPV	DW10	C9022A	Drive Shaft	27	37	947	48T
2.0 HDi 16V (80 kW)	1999.09-2002.07			MPV	DW10	C914A	Outer Joint	27	33	145	48T
2.0 TD (68 kW)	1997.05-2002.07	MT	L	MPV		C9021A	Drive Shaft	27	37	641	48T
	1997.05-2002.07	MT	R	MPV		C9022	Drive Shaft	27	37	947	
	1997.05-2002.07	MT	R	MPV		C9022A	Drive Shaft	27	37	947	48T
2.0 Turbo CT (108 kW)	1994.06-2002.07			MPV	XU10	C914	Outer Joint	27	39	145	
	1994.06-2002.07			MPV	XU10	C914A	Outer Joint	27	39	145	48T
	1994.06-2002.07	MT	L	MPV	XU10	C9021A	Drive Shaft	27	37	641	48T
	1994.06-2002.07	MT	R	MPV	XU10	C9022	Drive Shaft	27	37	947	
	1994.06-2002.07	MT	R	MPV	XU10	C9022A	Drive Shaft	27	37	947	48T
2.1 TD (80 kW)	1996.05-2002.07			MPV	XUD11	C914A	Outer Joint	27	39	145	48T
	1996.05-2002.07	MT	L	MPV	XUD11	C9021A	Drive Shaft	27	37	641	48T
	1996.05-2002.07	MT	R	MPV	XUD11	C9022	Drive Shaft	27	37	947	
	1996.05-2002.07	MT	R	MPV	XUD11	C9022A	Drive Shaft	27	37	947	48T
JUMPER (230)											
1.9 TD (66 kW)	1994.03-2002.04	MT		Platform	XUD9	C115A	Outer Joint	35	45	190	54T
	1994.03-2002.04	MT		Platform	XUD9	C115	Outer Joint	35	45	190	
	1994.03-2002.04	MT		Platform	XUD9	C908A	Outer Joint	28	39	176	54T
	1994.03-2002.04	MT		Platform	XUD9	C908	Outer Joint	28	39	176	
	1994.03-2002.04	MT	L	Platform	XUD9	C9018	Drive Shaft	28	37	771	
	1994.03-2002.04	MT	L	Platform	XUD9	C9018A	Drive Shaft	28	37	771	54T
	1994.03-2002.04	MT	L	Platform	XUD9	C9015	Drive Shaft	28	41	757.5	
	1994.03-2002.04	MT	L	Platform	XUD9	C9015A	Drive Shaft	28	41	757.5	54T
	1994.03-2002.04	MT	L	Platform	XUD9	C810	Inner Joint		41		

Model	Year	Gearbox	Side	Body	Engine	Index	Product	Specification			
								A	B	C	ABS
	1994.03-2002.04	MT	L	Platform	XUD9	C9012A	Drive Shaft	35	41	762	54T
	1994.03-2002.05	MT	L	Platform	XUD9	C807	Inner Joint		41		
	1994.03-2002.04	MT	R	Platform	XUD9	C9017	Drive Shaft	28	37	1072	
	1994.03-2002.04	MT	R	Platform	XUD9	C9017A	Drive Shaft	28	37	1072	54T
	1994.03-2002.04	MT	L	Platform	XUD9	C816	Inner Joint		41		
	1994.03-2002.04	MT	R	Platform	XUD9	C817	Inner Joint		41		
	1994.03-2002.04	MT	R	Platform	XUD9	C9016	Drive Shaft	28	41	1079	
	1994.03-2002.04	MT	R	Platform	XUD9	C9016A	Drive Shaft	28	41	1079	54T
	1994.03-2002.04	MT	R	Platform	XUD9	C811	Inner Joint		41		
	1994.03-2002.04	MT	R	Platform	XUD9	C9011	Drive Shaft	35	41	1085	
	1994.03-2002.04	MT	R	Platform	XUD9	C806	Inner Joint		41		
	1994.03-2002.04	MT	R	Platform	XUD9	C9011A	Drive Shaft	35	41	1085	54T
1.9 TD (68 kW)	1994.03-2002.04	MT		Platform	XUD9	C115A	Outer Joint	35	45	190	54T
	1994.03-2002.04	MT		Platform	XUD9	C115	Outer Joint	35	45	190	
	1994.03-2002.04	MT		Platform	XUD9	C908A	Outer Joint	28	39	176	54T
	1994.03-2002.04	MT		Platform	XUD9	C908	Outer Joint	28	39	176	
	1994.03-2002.04	MT	L	Platform	XUD9	C9018	Drive Shaft	28	37	771	
	1994.03-2002.04	MT	L	Platform	XUD9	C9018A	Drive Shaft	28	37	771	54T
	1994.03-2002.04	MT	L	Platform	XUD9	C9015	Drive Shaft	28	41	757.5	
	1994.03-2002.04	MT	L	Platform	XUD9	C9015A	Drive Shaft	28	41	757.5	54T
	1994.03-2002.04	MT	L	Platform	XUD9	C810	Inner Joint		41		
	1994.03-2002.04	MT	L	Platform	XUD9	C9012A	Drive Shaft	35	41	762	54T
	1994.03-2002.04	MT	L	Platform	XUD9	C807	Inner Joint		41		
	1994.03-2002.04	MT	R	Platform	XUD9	C9017	Drive Shaft	28	37	1072	
	1994.03-2002.04	MT	R	Platform	XUD9	C9017A	Drive Shaft	28	37	1072	54T
	1994.03-2002.04	MT	L	Platform	XUD9	C816	Inner Joint		41		
	1994.03-2002.04	MT	R	Platform	XUD9	C817	Inner Joint		41		
	1994.03-2002.04	MT	R	Platform	XUD9	C9016	Drive Shaft	28	41	1079	
	1994.03-2002.04	MT	R	Platform	XUD9	C9016A	Drive Shaft	28	41	1079	54T
	1994.03-2002.04	MT	R	Platform	XUD9	C811	Inner Joint		41		
	1994.03-2002.04	MT	R	Platform	XUD9	C9011	Drive Shaft	35	41	1085	
	1994.03-2002.04	MT	R	Platform	XUD9	C806	Inner Joint		41		
1994.03-2002.04	MT	R	Platform	XUD9	C9011A	Drive Shaft	35	41	1085	54T	
2.0 (80 kW)	1994.03-2002.04	MT		Platform	XU10	C115A	Outer Joint	35	45	190	54T
	1994.03-2002.04	MT		Platform	XU10	C115	Outer Joint	35	45	190	
	1994.03-2002.04	MT		Platform	XU10	C908A	Outer Joint	28	39	176	54T
	1994.03-2002.04	MT		Platform	XU10	C908	Outer Joint	28	39	176	
	1994.03-2002.04	MT	L	Platform	XU10	C9018	Drive Shaft	28	37	771	
	1994.03-2002.04	MT	L	Platform	XU10	C9018A	Drive Shaft	28	37	771	54T
	1994.03-2002.04	MT	L	Platform	XU10	C9015	Drive Shaft	28	41	757.5	
	1994.03-2002.04	MT	L	Platform	XU10	C9015A	Drive Shaft	28	41	757.5	54T
	1994.03-2002.04	MT	L	Platform	XU10	C810	Inner Joint		41		
	1994.03-2002.04	MT	L	Platform	XU10	C9012A	Drive Shaft	35	41	762	54T
	1994.03-2002.04	MT	L	Platform	XU10	C807	Inner Joint		41		
	1994.03-2002.04	MT	R	Platform	XU10	C9017	Drive Shaft	28	37	1072	
	1994.03-2002.04	MT	R	Platform	XU10	C9017A	Drive Shaft	28	37	1072	54T
	1994.03-2002.04	MT	L	Platform	XU10	C816	Inner Joint		41		
	1994.03-2002.04	MT	R	Platform	XU10	C817	Inner Joint		41		
	1994.03-2002.04	MT	R	Platform	XU10	C9016	Drive Shaft	28	41	1079	

Model	Year	Gearbox	Side	Body	Engine	Index	Product	Specification			
								A	B	C	ABS
	1994.03-2002.04	MT	R	Platform	XU10	C9016A	Drive Shaft	28	41	1079	54T
	1994.03-2002.04	MT	R	Platform	XU10	C811	Inner Joint		41		
	1994.03-2002.04	MT	R	Platform	XU10	C9011	Drive Shaft	35	41	1085	
	1994.03-2002.04	MT	R	Platform	XU10	C806	Inner Joint		41		
	1994.03-2002.04	MT	R	Platform	XU10	C9011A	Drive Shaft	35	41	1085	54T
2.5 D (63 kW)	1994.03-2002.04	MT		Platform	DJ5	C115A	Outer Joint	35	45	190	54T
	1994.03-2002.04	MT		Platform	DJ5	C115	Outer Joint	35	45	190	
	1994.03-2002.04	MT		Platform	DJ5	C908A	Outer Joint	28	39	176	54T
	1994.03-2002.04	MT		Platform	DJ5	C908	Outer Joint	28	39	176	
	1994.03-2002.04	MT	L	Platform	DJ5	C9018	Drive Shaft	28	37	771	
	1994.03-2002.04	MT	L	Platform	DJ5	C9018A	Drive Shaft	28	37	771	54T
	1994.03-2002.04	MT	L	Platform	DJ5	C9015	Drive Shaft	28	41	757.5	
	1994.03-2002.04	MT	L	Platform	DJ5	C9015A	Drive Shaft	28	41	757.5	54T
	1994.03-2002.04	MT	L	Platform	DJ5	C810	Inner Joint		41		
	1994.03-2002.04	MT	L	Platform	DJ5	C9012A	Drive Shaft	35	41	762	54T
	1994.03-2002.04	MT	L	Platform	DJ5	C807	Inner Joint		41		
	1994.03-2002.04	MT	R	Platform	DJ5	C9017	Drive Shaft	28	37	1072	
	1994.03-2002.04	MT	R	Platform	DJ5	C9017A	Drive Shaft	28	37	1072	54T
	1994.03-2002.04	MT	L	Platform	DJ5	C816	Inner Joint		41		
	1994.03-2002.04	MT	R	Platform	DJ5	C817	Inner Joint		41		
	1994.03-2002.04	MT	R	Platform	DJ5	C9016	Drive Shaft	28	41	1079	
	1994.03-2002.04	MT	R	Platform	DJ5	C9016A	Drive Shaft	28	41	1079	54T
	1994.03-2002.04	MT	R	Platform	DJ5	C811	Inner Joint		41		
	1994.03-2002.04	MT	R	Platform	DJ5	C9011	Drive Shaft	35	41	1085	
	1994.03-2002.04	MT	R	Platform	DJ5	C806	Inner Joint		41		
	1994.03-2002.04	MT	R	Platform	DJ5	C9011A	Drive Shaft	35	41	1085	54T
2.5 D 4WD (63 kW)	2000.03-2002.04	MT		Platform	DJ5	C115A	Outer Joint	35	45	190	54T
	2000.03-2002.04	MT		Platform	DJ5	C115	Outer Joint	35	45	190	
	2000.03-2002.04	MT		Platform	DJ5	C908A	Outer Joint	28	39	176	54T
	2000.03-2002.04	MT		Platform	DJ5	C908	Outer Joint	28	39	176	
	2000.03-2002.04	MT	L	Platform	DJ5	C9018	Drive Shaft	28	37	771	
	2000.03-2002.04	MT	L	Platform	DJ5	C9018A	Drive Shaft	28	37	771	54T
	2000.03-2002.04	MT	L	Platform	DJ5	C9015	Drive Shaft	28	41	757.5	
	2000.03-2002.04	MT	L	Platform	DJ5	C9015A	Drive Shaft	28	41	757.5	54T
	2000.03-2002.04	MT	L	Platform	DJ5	C810	Inner Joint		41		
	2000.03-2002.04	MT	L	Platform	DJ5	C9012A	Drive Shaft	35	41	762	54T
	2000.03-2002.04	MT	L	Platform	DJ5	C807	Inner Joint		41		
	2000.03-2002.04	MT	R	Platform	DJ5	C9017	Drive Shaft	28	37	1072	
	2000.03-2002.04	MT	R	Platform	DJ5	C9017A	Drive Shaft	28	37	1072	54T
	2000.03-2002.04	MT	L	Platform	DJ5	C816	Inner Joint		41		
	2000.03-2002.04	MT	R	Platform	DJ5	C817	Inner Joint		41		
	2000.03-2002.04	MT	R	Platform	DJ5	C9016	Drive Shaft	28	41	1079	
	2000.03-2002.04	MT	R	Platform	DJ5	C9016A	Drive Shaft	28	41	1079	54T
	2000.03-2002.04	MT	R	Platform	DJ5	C811	Inner Joint		41		
	2000.03-2002.04	MT	R	Platform	DJ5	C9011	Drive Shaft	35	41	1085	
	2000.03-2002.04	MT	R	Platform	DJ5	C806	Inner Joint		41		
	2000.03-2002.04	MT	R	Platform	DJ5	C9011A	Drive Shaft	35	41	1085	54T
2.5 TD (76 kW)	1994.03-2002.04	MT		Platform	DJ5T	C115A	Outer Joint	35	45	190	54T
	1994.03-2002.04	MT		Platform	DJ5T	C115	Outer Joint	35	45	190	

Model	Year	Gearbox	Side	Body	Engine	Index	Product	Specification			
								A	B	C	ABS
	1994.03-2002.04	MT		Platform	DJ5T	C908A	Outer Joint	28	3P	176	54T
	1994.03-2002.04	MT		Platform	DJ5T	C908	Outer Joint	28	39	176	
	1994.03-2002.04	MT	L	Platform	DJ5T	C9018	Drive Shaft	28	37	771	
	1994.03-2002.04	MT	L	Platform	DJ5T	C9018A	Drive Shaft	28	37	771	54T
	1994.03-2002.04	MT	L	Platform	DJ5T	C9015	Drive Shaft	28	41	757.5	
	1994.03-2002.04	MT	L	Platform	DJ5T	C9015A	Drive Shaft	28	41	757.5	54T
	1994.03-2002.04	MT	L	Platform	DJ5T	C810	Inner Joint		41		
	1994.03-2002.04	MT	L	Platform	DJ5T	C9012A	Drive Shaft	35	41	762	54T
	1994.03-2002.05	MT	L	Platform	DJ5T	C807	Inner Joint		41		
	1994.03-2002.04	MT	R	Platform	DJ5T	C9017	Drive Shaft	28	37	1072	
	1994.03-2002.04	MT	R	Platform	DJ5T	C9017A	Drive Shaft	28	37	1072	54T
	1994.03-2002.04	MT	L	Platform	DJ5T	C816	Inner Joint		41		
	1994.03-2002.04	MT	R	Platform	DJ5T	C817	Inner Joint		41		
	1994.03-2002.04	MT	R	Platform	DJ5T	C9016	Drive Shaft	28	41	1079	
	1994.03-2002.04	MT	R	Platform	DJ5T	C9016A	Drive Shaft	28	41	1079	54T
	1994.03-2002.04	MT	R	Platform	DJ5T	C811	Inner Joint		41		
	1994.03-2002.04	MT	R	Platform	DJ5T	C9011	Drive Shaft	35	41	1085	
	1994.03-2002.04	MT	R	Platform	DJ5T	C806	Inner Joint		41		
	1994.03-2002.04	MT	R	Platform	DJ5T	C9011A	Drive Shaft	35	41	1085	54T
2.5 TDi (79 kW)	1996.12-2002.04	MT		Platform	DJ5T	C115A	Outer Joint	35	45	190	54T
	1996.12-2002.04	MT		Platform	DJ5TED	C115	Outer Joint	35	45	190	
	1996.12-2002.04	MT		Platform	DJ5TED	C908A	Outer Joint	28	39	176	54T
	1996.12-2002.04	MT		Platform	DJ5TED	C908	Outer Joint	28	39	176	
	1996.12-2002.04	MT	L	Platform	DJ5TED	C9018	Drive Shaft	28	37	771	
	1996.12-2002.04	MT	L	Platform	DJ5TED	C9018A	Drive Shaft	28	37	771	54T
	1996.12-2002.04	MT	L	Platform	DJ5TED	C9015	Drive Shaft	28	41	757.5	
	1996.12-2002.04	MT	L	Platform	DJ5TED	C9015A	Drive Shaft	28	41	757.5	54T
	1996.12-2002.04	MT	L	Platform	DJ5TED	C810	Inner Joint		41		
	1996.12-2002.04	MT	L	Platform	DJ5TED	C9012A	Drive Shaft	35	41	762	54T
	1996.12-2002.04	MT	L	Platform	DJ5TED	C807	Inner Joint		41		
	1996.12-2002.04	MT	R	Platform	DJ5TED	C9017	Drive Shaft	28	37	1072	
	1996.12-2002.04	MT	R	Platform	DJ5TED	C9017A	Drive Shaft	28	37	1072	54T
	1996.12-2002.04	MT	L	Platform	DJ5TED	C816	Inner Joint		41		
	1996.12-2002.04	MT	R	Platform	DJ5TED	C817	Inner Joint		41		
	1996.12-2002.04	MT	R	Platform	DJ5TED	C9016	Drive Shaft	28	41	1079	
	1996.12-2002.04	MT	R	Platform	DJ5TED	C9016A	Drive Shaft	28	41	1079	54T
	1996.12-2002.04	MT	R	Platform	DJ5TED	C811	Inner Joint		41		
	1996.12-2002.04	MT	R	Platform	DJ5TED	C9011	Drive Shaft	35	41	1085	
	1996.12-2002.04	MT	R	Platform	DJ5TED	C806	Inner Joint		41		
	1996.12-2002.04	MT	R	Platform	DJ5TED	C9011A	Drive Shaft	35	41	1085	54T
2.5 TDi 4WD (79 kW)	2000.03-2002.04	MT		Platform	DJ5TED	C115A	Outer Joint	35	45	190	54T
	2000.03-2002.04	MT		Platform	DJ5TED	C115	Outer Joint	35	45	190	
	2000.03-2002.04	MT		Platform	DJ5TED	C908A	Outer Joint	28	39	176	54T
	2000.03-2002.04	MT		Platform	DJ5TED	C908	Outer Joint	28	39	176	
	2000.03-2002.04	MT	L	Platform	DJ5TED	C9018	Drive Shaft	28	37	771	
	2000.03-2002.04	MT	L	Platform	DJ5TED	C9018A	Drive Shaft	28	37	771	54T
	2000.03-2002.04	MT	L	Platform	DJ5TED	C9015	Drive Shaft	28	41	757.5	
	2000.03-2002.04	MT	L	Platform	DJ5TED	C9015A	Drive Shaft	28	41	757.5	54T
	2000.03-2002.04	MT	L	Platform	DJ5TED	C810	Inner Joint		41		

Model	Year	Gearbox	Side	Body	Engine	Index	Product	Specification			
								A	B	C	ABS
	2000.03-2002.04	MT	L	Platform	DJ5TED	C9012A	Drive Shaft	35	41	762	54T
	2000.03-2002.04	MT	L	Platform	DJ5TED	C807	Inner Joint		41		
	2000.03-2002.04	MT	R	Platform	DJ5TED	C9017	Drive Shaft	28	37	1072	
	2000.03-2002.04	MT	R	Platform	DJ5TED	C9017A	Drive Shaft	28	37	1072	54T
	2000.03-2002.04	MT	L	Platform	DJ5TED	C816	Inner Joint		41		
	2000.03-2002.04	MT	R	Platform	DJ5TED	C817	Inner Joint		41		
	2000.03-2002.04	MT	R	Platform	DJ5TED	C9016	Drive Shaft	28	41	1079	
	2000.03-2002.04	MT	R	Platform	DJ5TED	C9016A	Drive Shaft	28	41	1079	54T
	2000.03-2002.04	MT	R	Platform	DJ5TED	C811	Inner Joint		41		
	2000.03-2002.04	MT	R	Platform	DJ5TED	C9011	Drive Shaft	35	41	1085	
	2000.03-2002.04	MT	R	Platform	DJ5TED	C806	Inner Joint		41		
	2000.03-2002.04	MT	R	Platform	DJ5TED	C9011A	Drive Shaft	35	41	1085	54T
2.8 HDi (94 kW)	2000.09-2002.04	MT		Platform	8140.43S	C115A	Outer Joint	35	45	190	54T
	2000.09-2002.04	MT		Platform	8140.43S	C115	Outer Joint	35	45	190	
	2000.09-2002.04	MT	L	Platform	8140.43S	C9012A	Drive Shaft	35	41	762	54T
	2000.09-2002.04	MT	L	Platform	8140.43S	C807	Inner Joint		41		
	2000.09-2002.04	MT	R	Platform	8140.43S	C9011	Drive Shaft	35	41	1085	
	2000.09-2002.04	MT	R	Platform	8140.43S	C806	Inner Joint		41		
	2000.09-2002.04	MT	R	Platform	8140.43S	C9011A	Drive Shaft	35	41	1085	54T
JUMPER (230L)											
1.9 D (50 kW)	1999.07-2002.04	MT		Box	XUD9	C115A	Outer Joint	35	45	190	54T
	1999.07-2002.04	MT		Box	XUD9	C115	Outer Joint	35	45	190	
	1999.07-2002.04	MT		Box	XUD9	C908A	Outer Joint	28	39	176	54T
	1999.07-2002.04	MT		Box	XUD9	C908	Outer Joint	28	33	176	
	1999.07-2002.04	MT	L	Box	XUD9	C9018	Drive Shaft	28	37	771	
	1999.07-2002.04	MT	L	Box	XUD9	C9018A	Drive Shaft	28	37	771	54T
	1999.07-2002.04	MT	L	Box	XUD9	C9015	Drive Shaft	28	41	757.5	
	1999.07-2002.04	MT	L	Box	XUD9	C9015A	Drive Shaft	28	41	757.5	54T
	1999.07-2002.04	MT	L	Box	XUD9	C810	Inner Joint		41		
	1999.07-2002.04	MT	L	Box	XUD9	C9012A	Drive Shaft	35	41	762	54T
	1999.07-2002.04	MT	L	Box	XUD9	C807	Inner Joint		41		
	1999.07-2002.04	MT	R	Box	XUD9	C9017	Drive Shaft	28	37	1072	
	1999.07-2002.04	MT	R	Box	XUD9	C9017A	Drive Shaft	28	37	1072	54T
	1999.07-2002.04	MT	L	Box	XUD9	C816	Inner Joint		41		
	1999.07-2002.04	MT	R	Box	XUD9	C817	Inner Joint		41		
	1999.07-2002.04	MT	R	Box	XUD9	C9016	Drive Shaft	28	41	1079	
	1999.07-2002.04	MT	R	Box	XUD9	C9016A	Drive Shaft	28	41	1079	54T
	1999.07-2002.04	MT	R	Box	XUD9	C811	Inner Joint		41		
	1999.07-2002.04	MT	R	Box	XUD9	C9011	Drive Shaft	35	41	1085	
	1999.07-2002.04	MT	R	Box	XUD9	C806	Inner Joint		41		
	1999.07-2002.04	MT	R	Box	XUD9	C9011A	Drive Shaft	35	41	1085	54T
1.9 D (51 kW)	1994.02-2002.04	MT		Box	XUD9	C115A	Outer Joint	35	45	190	54T
	1994.02-2002.04	MT		Box	XUD9	C115	Outer Joint	35	45	190	
	1994.02-2002.04	MT		Box	XUD9	C908A	Outer Joint	28	39	176	54T
	1994.02-2002.04	MT		Box	XUD9	C908	Outer Joint	28	39	176	
	1994.02-2002.04	MT	L	Box	XUD9	C9018	Drive Shaft	28	37	771	
	1994.02-2002.04	MT	L	Box	XUD9	C9018A	Drive Shaft	28	37	771	54T
	1994.02-2002.04	MT	L	Box	XUD9	C9015	Drive Shaft	28	41	757.5	
	1994.02-2002.04	MT	L	Box	XUD9	C9015A	Drive Shaft	28	41	757.5	54T

Model	Year	Gearbox	Side	Body	Engine	Index	Product	Specification			
								A	B	C	ABS
	1994.02-2002.04	MT	L	Box	XUD9	C810	Inner Joint		41		
	1994.02-2002.04	MT	L	Box	XUD9	C9012A	Drive Shaft	35	41	762	54T
	1994.02-2002.04	MT	L	Box	XUD9	C807	Inner Joint		41		
	1994.02-2002.04	MT	R	Box	XUD9	C9017	Drive Shaft	28	37	1072	
	1994.02-2002.04	MT	R	Box	XUD9	C9017A	Drive Shaft	28	37	1072	54T
	1994.02-2002.04	MT	L	Box	XUD9	C816	Inner Joint		41		
	1994.02-2002.04	MT	R	Box	XUD9	C817	Inner Joint		41		
	1994.02-2002.04	MT	R	Box	XUD9	C9016	Drive Shaft	28	41	1079	
	1994.02-2002.04	MT	R	Box	XUD9	C9016A	Drive Shaft	28	41	1079	54T
	1994.02-2002.04	MT	R	Box	XUD9	C811	Inner Joint		41		
	1994.02-2002.04	MT	R	Box	XUD9	C9011	Drive Shaft	35	41	1085	
	1994.02-2002.04	MT	R	Box	XUD9	C806	Inner Joint		41		
	1994.02-2002.04	MT	R	Box	XUD9	C9011A	Drive Shaft	35	41	1085	54T
1.9 TD (66 kW)	1994.03-2002.04	MT		Box	XUD9	C115A	Outer Joint	35	45	190	54T
	1994.03-2002.04	MT		Box	XUD9	C115	Outer Joint	35	45	190	
	1994.03-2002.04	MT		Box	XUD9	C908A	Outer Joint	28	39	176	54T
	1994.03-2002.04	MT		Box	XUD9	C908	Outer Joint	28	39	176	
	1994.03-2002.04	MT	L	Box	XUD9	C9018	Drive Shaft	28	37	771	
	1994.03-2002.04	MT	L	Box	XUD9	C9018A	Drive Shaft	28	37	771	54T
	1994.03-2002.04	MT	L	Box	XUD9	C9015	Drive Shaft	28	41	757.5	
	1994.03-2002.04	MT	L	Box	XUD9	C9015A	Drive Shaft	28	41	757.5	54T
	1994.03-2002.04	MT	L	Box	XUD9	C810	Inner Joint		41		
	1994.03-2002.04	MT	L	Box	XUD9	C9012A	Drive Shaft	35	41	762	54T
	1994.03-2002.04	MT	L	Box	XUD9	C807	Inner Joint		41		
	1994.03-2002.04	MT	R	Box	XUD9	C9017	Drive Shaft	28	37	1072	
	1994.03-2002.04	MT	R	Box	XUD9	C9017A	Drive Shaft	28	37	1072	54T
	1994.03-2002.04	MT	L	Box	XUD9	C816	Inner Joint		41		
	1994.03-2002.04	MT	R	Box	XUD9	C817	Inner Joint		41		
	1994.03-2002.04	MT	R	Box	XUD9	C9016	Drive Shaft	28	41	1079	
	1994.03-2002.04	MT	R	Box	XUD9	C9016A	Drive Shaft	28	41	1079	54T
	1994.03-2002.04	MT	R	Box	XUD9	C811	Inner Joint		41		
	1994.03-2002.04	MT	R	Box	XUD9	C9011	Drive Shaft	35	41	1085	
	1994.03-2002.04	MT	R	Box	XUD9	C806	Inner Joint		41		
	1994.03-2002.04	MT	R	Box	XUD9	C9011A	Drive Shaft	35	41	1085	54T
1.9 TD (68 kW)	1994.03-2002.04	MT		Box	XUD9	C115A	Outer Joint	35	45	190	54T
	1994.03-2002.04	MT		Box	XUD9	C115	Outer Joint	35	45	190	
	1994.03-2002.04	MT		Box	XUD9	C908A	Outer Joint	28	39	176	54T
	1994.03-2002.04	MT		Box	XUD9	C908	Outer Joint	28	39	176	
	1994.03-2002.04	MT	L	Box	XUD9	C9018	Drive Shaft	28	37	771	
	1994.03-2002.04	MT	L	Box	XUD9	C9018A	Drive Shaft	28	37	771	54T
	1994.03-2002.04	MT	L	Box	XUD9	C9015	Drive Shaft	28	41	757.5	
	1994.03-2002.04	MT	L	Box	XUD9	C9015A	Drive Shaft	28	41	757.5	54T
	1994.03-2002.04	MT	L	Box	XUD9	C810	Inner Joint		41		
	1994.03-2002.04	MT	L	Box	XUD9	C9012A	Drive Shaft	35	41	762	54T
	1994.03-2002.04	MT	L	Box	XUD9	C807	Inner Joint		41		
	1994.03-2002.04	MT	R	Box	XUD9	C9017	Drive Shaft	28	37	1072	
	1994.03-2002.04	MT	R	Box	XUD9	C9017A	Drive Shaft	28	37	1072	54T
	1994.03-2002.04	MT	L	Box	XUD9	C816	Inner Joint		41		
	1994.03-2002.04	MT	R	Box	XUD9	C817	Inner Joint		41		

Model	Year	Gearbox	Side	Body	Engine	Index	Product	Specification			
								A	B	C	ABS
	1994.03-2002.04	MT	R	Box	XUD9	C9016	Drive Shaft	28	41	1079	
	1994.03-2002.04	MT	R	Box	XUD9	C9016A	Drive Shaft	28	41	1079	54T
	1994.03-2002.04	MT	R	Box	XUD9	C811	Inner Joint		41		
	1994.03-2002.04	MT	R	Box	XUD9	C9011	Drive Shaft	35	41	1085	
	1994.03-2002.04	MT	R	Box	XUD9	C806	Inner Joint		41		
	1994.03-2002.04	MT	R	Box	XUD9	C9011A	Drive Shaft	35	41	1085	54T
2.0 (80 kW)	1994.03-2002.04	MT		Box	XU10	C115A	Outer Joint	35	45	190	54T
	1994.03-2002.04	MT		Box	XU10	C115	Outer Joint	35	45	190	
	1994.03-2002.04	MT		Box	XU10	C908A	Outer Joint	28	39	176	54T
	1994.03-2002.04	MT		Box	XU10	C908	Outer Joint	28	39	176	
	1994.03-2002.04	MT	L	Box	XU10	C9018	Drive Shaft	28	37	771	
	1994.03-2002.04	MT	L	Box	XU10	C9018A	Drive Shaft	28	37	771	54T
	1994.03-2002.04	MT	L	Box	XU10	C9015	Drive Shaft	28	41	757.5	
	1994.03-2002.04	MT	L	Box	XU10	C9015A	Drive Shaft	28	41	757.5	54T
	1994.03-2002.04	MT	L	Box	XU10	C810	Inner Joint		41		
	1994.03-2002.04	MT	L	Box	XU10	C9012A	Drive Shaft	35	41	762	54T
	1994.03-2002.04	MT	L	Box	XU10	C807	Inner Joint		41		
	1994.03-2002.04	MT	R	Box	XU10	C9017	Drive Shaft	28	37	1072	
	1994.03-2002.04	MT	R	Box	XU10	C9017A	Drive Shaft	28	37	1072	54T
	1994.03-2002.04	MT	L	Box	XU10	C816	Inner Joint		41		
	1994.03-2002.04	MT	R	Box	XU10	C817	Inner Joint		41		
	1994.03-2002.04	MT	R	Box	XU10	C9016	Drive Shaft	28	41	1079	
	1994.03-2002.04	MT	R	Box	XU10	C9016A	Drive Shaft	28	41	1079	54T
	1994.03-2002.04	MT	R	Box	XU10	C811	Inner Joint		41		
	1994.03-2002.04	MT	R	Box	XU10	C9011	Drive Shaft	35	41	1085	
	1994.03-2002.04	MT	R	Box	XU10	C806	Inner Joint		41		
	1994.03-2002.04	MT	R	Box	XU10	C9011A	Drive Shaft	35	41	1085	54T
	2.5 D (63 kW)	1994.03-2002.04	MT		Box	DJ5	C115A	Outer Joint	35	45	190
1994.03-2002.04		MT		Box	DJ5	C115	Outer Joint	35	45	190	
1994.03-2002.04		MT		Box	DJ5	C908A	Outer Joint	28	39	176	54T
1994.03-2002.04		MT		Box	DJ5	C908	Outer Joint	28	39	176	
1994.03-2002.04		MT	L	Box	DJ5	C9018	Drive Shaft	28	37	771	
1994.03-2002.04		MT	L	Box	DJ5	C9018A	Drive Shaft	28	37	771	54T
1994.03-2002.04		MT	L	Box	DJ5	C9015	Drive Shaft	28	41	757.5	
1994.03-2002.04		MT	L	Box	DJ5	C9015A	Drive Shaft	28	41	757.5	54T
1994.03-2002.04		MT	L	Box	DJ5	C810	Inner Joint		41		
1994.03-2002.04		MT	L	Box	DJ5	C9012A	Drive Shaft	35	41	762	54T
1994.03-2002.04		MT	L	Box	DJ5	C807	Inner Joint		41		
1994.03-2002.04		MT	R	Box	DJ5	C9017	Drive Shaft	28	37	1072	
1994.03-2002.04		MT	R	Box	DJ5	C9017A	Drive Shaft	28	37	1072	54T
1994.03-2002.04		MT	L	Box	DJ5	C816	Inner Joint		41		
1994.03-2002.04		MT	R	Box	DJ5	C817	Inner Joint		41		
1994.03-2002.04		MT	R	Box	DJ5	C9016	Drive Shaft	28	41	1079	
1994.03-2002.04		MT	R	Box	DJ5	C9016A	Drive Shaft	28	41	1079	54T
1994.03-2002.04		MT	R	Box	DJ5	C811	Inner Joint		41		
1994.03-2002.04		MT	R	Box	DJ5	C9011	Drive Shaft	35	41	1085	
1994.03-2002.04		MT	R	Box	DJ5	C806	Inner Joint		41		
1994.03-2002.04		MT	R	Box	DJ5	C9011A	Drive Shaft	35	41	1085	54T
2.5 D 4WD (63 kW)		2000.03-2002.04	MT		Box	DJ5	C115A	Outer Joint	35	45	190

Model	Year	Gearbox	Side	Body	Engine	Index	Product	Specification			
								A	B	C	ABS
	2000.03-2002.04	MT		Box	DJ5	C115	Outer Joint	35	45	190	
	2000.03-2002.04	MT		Box	DJ5	C908A	Outer Joint	28	39	176	54T
	2000.03-2002.04	MT		Box	DJ5	C908	Outer Joint	28	39	176	
	2000.03-2002.04	MT	L	Box	DJ5	C9018	Drive Shaft	28	37	771	
	2000.03-2002.04	MT	L	Box	DJ5	C9018	Drive Shaft	28	37	771	54T
	2000.03-2002.04	MT	L	Box	DJ5	C9015	Drive Shaft	28	41	757.5	
	2000.03-2002.04	MT	L	Box	DJ5	C9015A	Drive Shaft	28	41	757.5	54T
	2000.03-2002.04	MT	L	Box	DJ5	C810	Inner Joint		41		
	2000.03-2002.04	MT	L	Box	DJ5	C9012A	Drive Shaft	35	41	762	54T
	2000.03-2002.04	MT	L	Box	DJ5	C807	Inner Joint		41		
	2000.03-2002.04	MT	R	Box	DJ5	C9017	Drive Shaft	28	37	1072	
	2000.03-2002.04	MT	R	Box	DJ5	C9017A	Drive Shaft	28	37	1072	54T
	2000.03-2002.04	MT	L	Box	DJ5	C816	Inner Joint		41		
	2000.03-2002.04	MT	R	Box	DJ5	C817	Inner Joint		41		
	2000.03-2002.04	MT	R	Box	DJ5	C9016	Drive Shaft	28	41	1079	
	2000.03-2002.04	MT	R	Box	DJ5	C9016A	Drive Shaft	28	41	1079	54T
	2000.03-2002.04	MT	R	Box	DJ5	C811	Inner Joint		41		
	2000.03-2002.04	MT	R	Box	DJ5	C9011	Drive Shaft	35	41	1085	
	2000.03-2002.04	MT	R	Box	DJ5	C806	Inner Joint		41		
	2000.03-2002.04	MT	R	Box	DJ5	C9011A	Drive Shaft	35	41	1085	54T
2.5 TD (76 kW)	1994.03-2002.04	MT		Box	DJ5T	C115A	Outer Joint	35	45	190	54T
	1994.03-2002.04	MT		Box	DJ5T	C115	Outer Joint	35	45	190	
	1994.03-2002.04	MT		Box	DJ5T	C908A	Outer Joint	28	39	176	54T
	1994.03-2002.04	MT		Box	DJ5T	C908	Outer Joint	28	39	176	
	1994.03-2002.04	MT	L	Box	DJ5T	C9018	Drive Shaft	28	37	771	
	1994.03-2002.04	MT	L	Box	DJ5T	C9018A	Drive Shaft	28	37	771	54T
	1994.03-2002.04	MT	L	Box	DJ5T	C9015	Drive Shaft	28	41	757.5	
	1994.03-2002.04	MT	L	Box	DJ5T	C9015A	Drive Shaft	28	41	757.5	54T
	1994.03-2002.04	MT	L	Box	DJ5T	C810	Inner Joint		41		
	1994.03-2002.04	MT	L	Box	DJ5T	C9012A	Drive Shaft	35	41	762	54T
	1994.03-2002.04	MT	L	Box	DJ5T	C807	Inner Joint		41		
	1994.03-2002.04	MT	R	Box	DJ5T	C9017	Drive Shaft	28	37	1072	
	1994.03-2002.04	MT	R	Box	DJ5T	C9017A	Drive Shaft	28	37	1072	54T
	1994.03-2002.04	MT	L	Box	DJ5T	C816	Inner Joint		41		
	1994.03-2002.04	MT	R	Box	DJ5T	C817	Inner Joint		41		
	1994.03-2002.04	MT	R	Box	DJ5T	C9016	Drive Shaft	28	41	1079	
	1994.03-2002.04	MT	R	Box	DJ5T	C9016A	Drive Shaft	28	41	1079	54T
	1994.03-2002.04	MT	R	Box	DJ5T	C811	Inner Joint		41		
	1994.03-2002.04	MT	R	Box	DJ5T	C9011	Drive Shaft	35	41	1085	
	1994.03-2002.04	MT	R	Box	DJ5T	C806	Inner Joint		41		
	1994.03-2002.04	MT	R	Box	DJ5T	C9011A	Drive Shaft	35	41	1085	54T
2.5TDi (79 kW)	1996.12-2000.11	MT		Box	DJ5TED	C115A	Outer Joint	35	45	190	54T
	1996.12-2000.11	MT		Box	DJ5TED	C115	Outer Joint	35	45	190	
	1996.12-2000.11	MT		Box	DJ5TED	C908A	Outer Joint	28	3P	176	54T
	1996.12-2000.11	MT		Box	DJ5TED	C908	Outer Joint	28	39	176	
	1996.12-2000.11	MT	L	Box	DJ5TED	C9018	Drive Shaft	28	37	771	
	1996.12-2000.11	MT	L	Box	DJ5TED	C9018A	Drive Shaft	28	37	771	54T
	1996.12-2000.11	MT	L	Box	DJ5TED	C9015	Drive Shaft	28	41	757.5	
	1996.12-2000.11	MT	L	Box	DJ5TED	C9015A	Drive Shaft	28	41	757.5	54T

Model	Year	Gearbox	Side	Body	Engine	Index	Product	Specification			
								A	B	C	ABS
	1996.12-2000.11	MT	L	Box	DJ5TED	C810	Inner Joint		41		
	1996.12-2000.11	MT	L	Box	DJ5TED	C9012A	Drive Shaft	35	41	762	54T
	1996.12-2000.11	MT	L	Box	DJ5TED	C807	Inner Joint		41		
	1996.12-2000.11	MT	R	Box	DJ5TED	C9017	Drive Shaft	28	37	1072	
	1996.12-2000.11	MT	R	Box	DJ5TED	C9017A	Drive Shaft	28	37	1072	54T
	1996.12-2000.11	MT	L	Box	DJ5TED	C816	Inner Joint		41		
	1996.12-2000.11	MT	R	Box	DJ5TED	C817	Inner Joint		41		
	1996.12-2000.11	MT	R	Box	DJ5TED	C9016	Drive Shaft	28	41	1079	
	1996.12-2000.11	MT	R	Box	DJ5TED	C9016A	Drive Shaft	28	41	1079	54T
	1996.12-2000.11	MT	R	Box	DJ5TED	C811	Inner Joint		41		
	1996.12-2000.11	MT	R	Box	DJ5TED	C9011	Drive Shaft	35	41	1085	
	1996.12-2000.11	MT	R	Box	DJ5TED	C806	Inner Joint		41		
	1996.12-2000.11	MT	R	Box	DJ5TED	C9011A	Drive Shaft	35	41	1085	54T
2.5 TDi 4WD (79 kW)	2000.03-2000.11	MT		Box	DJ5TED	C115A	Outer Joint	35	45	190	54T
	2000.03-2000.11	MT		Box	DJ5TED	C115	Outer Joint	35	45	190	
	2000.03-2000.11	MT		Box	DJ5TED	C908A	Outer Joint	28	39	176	54T
	2000.03-2000.11	MT		Box	DJ5TED	C908	Outer Joint	28	39	176	
	2000.03-2000.11	MT	L	Box	DJ5TED	C9018	Drive Shaft	28	37	771	
	2000.03-2000.11	MT	L	Box	DJ5TED	C9018A	Drive Shaft	28	37	771	54T
	2000.03-2000.11	MT	L	Box	DJ5TED	C9015	Drive Shaft	28	41	757.5	
	2000.03-2000.11	MT	L	Box	DJ5TED	C9015A	Drive Shaft	28	41	757.5	54T
	2000.03-2000.11	MT	L	Box	DJ5TED	C810	Inner Joint		41		
	2000.03-2000.11	MT	L	Box	DJ5TED	C9012A	Drive Shaft	35	41	762	54T
	2000.03-2000.11	MT	L	Box	DJ5TED	C807	Inner Joint		41		
	2000.03-2000.11	MT	R	Box	DJ5TED	C9017	Drive Shaft	28	37	1072	
	2000.03-2000.11	MT	R	Box	DJ5TED	C9017A	Drive Shaft	28	37	1072	54T
	2000.03-2000.11	MT	L	Box	DJ5TED	C816	Inner Joint		41		
	2000.03-2000.11	MT	R	Box	DJ5TED	C817	Inner Joint		41		
	2000.03-2000.11	MT	R	Box	DJ5TED	C9016	Drive Shaft	28	41	1079	
	2000.03-2000.11	MT	R	Box	DJ5TED	C9016A	Drive Shaft	28	41	1079	54T
	2000.03-2000.11	MT	R	Box	DJ5TED	C811	Inner Joint		41		
	2000.03-2000.11	MT	R	Box	DJ5TED	C9011	Drive Shaft	35	41	1085	
	2000.03-2000.11	MT	R	Box	DJ5TED	C806	Inner Joint		41		
2000.03-2000.11	MT	R	Box	DJ5TED	C9011A	Drive Shaft	35	41	1085	54T	
2.8 HDi (94 kW)	2000.09-2002.04	MT		Box	8140.43S	C115A	Outer Joint	35	45	190	54T
	2000.09-2002.04	MT		Box	8140.43S	C115	Outer Joint	35	45	190	
	2000.09-2002.04	MT	L	Box	8140.43S	C9012A	Drive Shaft	35	41	762	54T
	2000.09-2002.04	MT	L	Box	8140.43S	C807	Inner Joint		41		
	2000.09-2002.04	MT	R	Box	8140.43S	C9011	Drive Shaft	35	41	1085	
	2000.09-2002.04	MT	R	Box	8140.43S	C806	Inner Joint		41		
	2000.09-2002.04	MT	R	Box	8140.43S	C9011A	Drive Shaft	35	41	1085	54T
JUMPER (230P)											
1.9 D (51 kW)	1999.01-2002.04	MT		Bus	XUD9	C115A	Outer Joint	35	45	190	54T
	1999.01-2002.04	MT		Bus	XUD9	C115	Outer Joint	35	45	190	
	1999.01-2002.04	MT		Bus	XUD9	C908A	Outer Joint	28	3B	176	54T
	1999.01-2002.04	MT		Bus	XUD9	C908	Outer Joint	28	39	176	
	1999.01-2002.04	MT	L	Bus	XUD9	C9018	Drive Shaft	28	37	771	
	1999.01-2002.04	MT	L	Bus	XUD9	C9018A	Drive Shaft	28	37	771	54T
	1999.01-2002.04	MT	L	Bus	XUD9	C9015	Drive Shaft	28	41	757.5	

Model	Year	Gearbox	Side	Body	Engine	Index	Product	Specification			
								A	B	C	ABS
	1999.01-2002.04	MT	L	Bus	XUD9	C9015A	Drive Shaft	28	41	757.5	54T
	1999.01-2002.04	MT	L	Bus	XUD9	C810	Inner Joint		41		
	1999.01-2002.04	MT	L	Bus	XUD9	C9012A	Drive Shaft	35	41	762	54T
	1999.01-2002.04	MT	L	Bus	XUD9	C807	Inner Joint		41		
	1999.01-2002.04	MT	R	Bus	XUD9	C9017	Drive Shaft	28	37	1072	
	1999.01-2002.04	MT	R	Bus	XUD9	C9017A	Drive Shaft	28	37	1072	54T
	1999.01-2002.04	MT	L	Bus	XUD9	C816	Inner Joint		41		
	1999.01-2002.04	MT	R	Bus	XUD9	C817	Inner Joint		41		
	1999.01-2002.04	MT	R	Bus	XUD9	C9016	Drive Shaft	28	41	1079	
	1999.01-2002.04	MT	R	Bus	XUD9	C9016A	Drive Shaft	28	41	1079	54T
	1999.01-2002.04	MT	R	Bus	XUD9	C811	Inner Joint		41		
	1999.01-2002.04	MT	R	Bus	XUD9	C9011	Drive Shaft	35	41	1085	
	1999.01-2002.04	MT	R	Bus	XUD9	C806	Inner Joint		41		
	1999.01-2002.04	MT	R	Bus	XUD9	C9011A	Drive Shaft	35	41	1085	54T
	1.9 TD (66 kW)	1994.08-2002.04	MT		Bus	XUD9	C115A	Outer Joint	35	45	190
1994.08-2002.04		MT		Bus	XUD9	C115	Outer Joint	35	45	190	
1994.08-2002.04		MT		Bus	XUD9	C908A	Outer Joint	28	39	176	54T
1994.08-2002.04		MT		Bus	XUD9	C908	Outer Joint	28	33	176	
1994.08-2002.04		MT	L	Bus	XUD9	C9018	Drive Shaft	28	37	771	
1994.08-2002.04		MT	L	Bus	XUD9	C9018A	Drive Shaft	28	37	771	54T
1994.08-2002.04		MT	L	Bus	XUD9	C9015	Drive Shaft	28	41	757.5	
1994.08-2002.04		MT	L	Bus	XUD9	C9015A	Drive Shaft	28	41	757.5	54T
1994.08-2002.04		MT	L	Bus	XUD9	C810	Inner Joint		41		
1994.08-2002.04		MT	L	Bus	XUD9	C9012A	Drive Shaft	35	41	762	54T
1994.08-2002.04		MT	L	Bus	XUD9	C807	Inner Joint		41		
1994.08-2002.04		MT	R	Bus	XUD9	C9017	Drive Shaft	28	37	1072	
1994.08-2002.04		MT	R	Bus	XUD9	C9017A	Drive Shaft	28	37	1072	54T
1994.08-2002.04		MT	L	Bus	XUD9	C816	Inner Joint		41		
1994.08-2002.04		MT	R	Bus	XUD9	C817	Inner Joint		41		
1994.08-2002.04		MT	R	Bus	XUD9	C9016	Drive Shaft	28	41	1079	
1994.08-2002.04		MT	R	Bus	XUD9	C9016A	Drive Shaft	28	41	1079	54T
1994.08-2002.04		MT	R	Bus	XUD9	C811	Inner Joint		41		
1994.08-2002.04		MT	R	Bus	XUD9	C9011	Drive Shaft	35	41	1085	
1994.08-2002.04		MT	R	Bus	XUD9	C806	Inner Joint		41		
1994.08-2002.04	MT	R	Bus	XUD9	C9011A	Drive Shaft	35	41	1085	54T	
1.9 TD (58 kW)	1994.02-2002.04	MT		Bus	XUD9	C115A	Outer Joint	35	45	190	54T
	1994.02-2002.04	MT		Bus	XUD9	C115	Outer Joint	35	45	190	
	1994.02-2002.04	MT		Bus	XUD9	C908A	Outer Joint	28	39	176	54T
	1994.02-2002.04	MT		Bus	XUD9	C908	Outer Joint	28	39	176	
	1994.02-2002.04	MT	L	Bus	XUD9	C9018	Drive Shaft	2S	37	771	
	1994.02-2002.04	MT	L	Bus	XUD9	C9018A	Drive Shaft	2S	37	771	54T
	1994.02-2002.04	MT	L	Bus	XUD9	C9015	Drive Shaft	28	41	757.5	
	1994.02-2002.04	MT	L	Bus	XUD9	C9015A	Drive Shaft	28	41	757.5	54T
	1994.02-2002.04	MT	L	Bus	XUD9	C810	Inner Joint		41		
	1994.02-2002.04	MT	L	Bus	XUD9	C9012A	Drive Shaft	35	41	762	54T
	1994.02-2002.04	MT	L	Bus	XUD9	C807	Inner Joint		41		
	1994.02-2002.04	MT	R	Bus	XUD9	C9017	Drive Shaft	28	37	1072	
	1994.02-2002.04	MT	R	Bus	XUD9	C9017A	Drive Shaft	28	37	1072	54T
	1994.02-2002.04	MT	L	Bus	XUD9	C816	Inner Joint		41		

Model	Year	Gearbox	Side	Body	Engine	Index	Product	Specification			
								A	B	C	ABS
	1994.02-2002.04	MT	R	Bus	XUD9	C817	Inner Joint		41		
	1994.02-2002.04	MT	R	Bus	XUD9	C9016	Drive Shaft	28	41	1079	
	1994.02-2002.04	MT	R	Bus	XUD9	C9016A	Drive Shaft	28	41	1079	54T
	1994.02-2002.04	MT	R	Bus	XUD9	C811	Inner Joint		41		
	1994.02-2002.04	MT	R	Bus	XUD9	C9011	Drive Shaft	35	41	1085	
	1994.02-2002.04	MT	R	Bus	XUD9	C806	Inner Joint		41		
	1994.02-2002.04	MT	R	Bus	XUD9	C9011A	Drive Shaft	35	41	1085	54T
1.9 TD 4WD (68 kW)	1996.08-2002.04	MT		Bus	XUD9	C115A	Outer Joint	35	45	190	54T
	1996.08-2002.04	MT		Bus	XUD9	C115	Outer Joint	35	45	190	
	1996.08-2002.04	MT		Bus	XUD9	C908A	Outer Joint	28	39	176	54T
	1996.08-2002.04	MT		Bus	XUD9	C908	Outer Joint	28	39	176	
	1996.08-2002.04	MT	L	Bus	XUD9	C9018	Drive Shaft	28	37	771	
	1996.08-2002.04	MT	L	Bus	XUD9	C9018A	Drive Shaft	28	37	771	54T
	1996.08-2002.04	MT	L	Bus	XUD9	C9015	Drive Shaft	28	41	757.5	
	1996.08-2002.04	MT	L	Bus	XUD9	C9015A	Drive Shaft	28	41	757.5	54T
	1996.08-2002.04	MT	L	Bus	XUD9	C810	Inner Joint		41		
	1996.08-2002.04	MT	L	Bus	XUD9	C9012A	Drive Shaft	35	41	762	54T
	1996.08-2002.04	MT	L	Bus	XUD9	C807	Inner Joint		41		
	1996.08-2002.04	MT	R	Bus	XUD9	C9017	Drive Shaft	28	37	1072	
	1996.08-2002.04	MT	R	Bus	XUD9	C9017A	Drive Shaft	28	37	1072	54T
	1996.08-2002.04	MT	L	Bus	XUD9	C816	Inner Joint		41		
	1996.08-2002.04	MT	R	Bus	XUD9	C817	Inner Joint		41		
	1996.08-2002.04	MT	R	Bus	XUD9	C9016	Drive Shaft	28	41	1079	
	1996.08-2002.04	MT	R	Bus	XUD9	C9016A	Drive Shaft	28	41	1079	54T
	1996.08-2002.04	MT	R	Bus	XUD9	C811	Inner Joint		41		
	1996.08-2002.04	MT	R	Bus	XUD9	C9011	Drive Shaft	35	41	1085	
	1996.08-2002.04	MT	R	Bus	XUD9	C806	Inner Joint		41		
1996.08-2002.04	MT	R	Bus	XUD9	C9011A	Drive Shaft	35	41	1085	54T	
2.0 (80 kW)	1994.02-2002.04	MT		Bus	XU10	C115A	Outer Joint	35	45	190	54T
	1994.02-2002.04	MT		Bus	XU10	C115	Outer Joint	35	45	190	
	1994.02-2002.04	MT		Bus	XU10	C908A	Outer Joint	28	39	176	54T
	1994.02-2002.04	MT		Bus	XU10	C908	Outer Joint	28	39	176	
	1994.02-2002.04	MT	L	Bus	XU10	C9018	Drive Shaft	28	37	771	
	1994.02-2002.04	MT	L	Bus	XU10	C9018A	Drive Shaft	28	37	771	54T
	1994.02-2002.04	MT	L	Bus	XU10	C9015	Drive Shaft	28	41	757.5	
	1994.02-2002.04	MT	L	Bus	XU10	C9015A	Drive Shaft	28	41	757.5	54T
	1994.02-2002.04	MT	L	Bus	XU10	C810	Inner Joint		41		
	1994.02-2002.04	MT	L	Bus	XU10	C9012A	Drive Shaft	35	41	762	54T
	1994.02-2002.04	MT	L	Bus	XU10	C807	Inner Joint		41		
	1994.02-2002.04	MT	R	Bus	XU10	C9017	Drive Shaft	28	37	1072	
	1994.02-2002.04	MT	R	Bus	XU10	C9017A	Drive Shaft	28	37	1072	54T
	1994.02-2002.04	MT	L	Bus	XU10	C816	Inner Joint		41		
	1994.02-2002.04	MT	R	Bus	XU10	C817	Inner Joint		41		
	1994.02-2002.04	MT	R	Bus	XU10	C9016	Drive Shaft	28	41	1079	
	1994.02-2002.04	MT	R	Bus	XU10	C9016A	Drive Shaft	28	41	1079	54T
	1994.02-2002.04	MT	R	Bus	XU10	C811	Inner Joint		41		
	1994.02-2002.04	MT	R	Bus	XU10	C9011	Drive Shaft	35	41	1085	
	1994.02-2002.04	MT	R	Bus	XU10	C806	Inner Joint		41		
1994.02-2002.04	MT	R	Bus	XU10	C9011A	Drive Shaft	35	41	1085	54T	

Model	Year	Gearbox	Side	Body	Engine	Index	Product	Specification			
								A	B	C	ABS
2.0 4WD (80 kW)	1996.08-2002.04	MT		Bus	XU10	C115A	Outer Joint	35	45	190	54T
	1996.08-2002.04	MT		Bus	XU10	C115	Outer Joint	35	45	190	
	1996.08-2002.04	MT		Bus	XU10	C908A	Outer Joint	28	39	176	54T
	1996.08-2002.04	MT		Bus	XU10	C908	Outer Joint	28	39	176	
	1996.08-2002.04	MT	L	Bus	XU10	C9018	Drive Shaft	28	37	771	
	1996.08-2002.04	MT	L	Bus	XU10	C9018A	Drive Shaft	28	37	771	54T
	1996.08-2002.04	MT	L	Bus	XU10	C9015	Drive Shaft	28	41	757.5	
	1996.08-2002.04	MT	L	Bus	XU10	C9015A	Drive Shaft	28	41	757.5	54T
	1996.08-2002.04	MT	L	Bus	XU10	C810	Inner Joint		41		
	1996.08-2002.04	MT	L	Bus	XU10	C9012A	Drive Shaft	35	41	762	54T
	1996.08-2002.04	MT	L	Bus	XU10	C807	Inner Joint		41		
	1996.08-2002.04	MT	R	Bus	XU10	C9017	Drive Shaft	28	37	1072	
	1996.03-2002.04	MT	R	Bus	XU10	C9017A	Drive Shaft	28	37	1072	54T
	1996.08-2002.04	MT	L	Bus	XU10	C816	Inner Joint		41		
	1996.08-2002.04	MT	R	Bus	XU10	C817	Inner Joint		41		
	1996.08-2002.04	MT	R	Bus	XU10	C9016	Drive Shaft	28	41	1079	
	1996.08-2002.04	MT	R	Bus	XU10	C9016A	Drive Shaft	28	41	1079	54T
	1996.08-2002.04	MT	R	Bus	XU10	C811	Inner Joint		41		
	1996.08-2002.04	MT	R	Bus	XU10	C9011	Drive Shaft	35	41	1085	
	1996.08-2002.04	MT	R	Bus	XU10	C806	Inner Joint		41		
1996.08-2002.04	MT	R	Bus	XU10	C9011A	Drive Shaft	35	41	1085	54T	
2.5 D (63 kW)	1994.08-2002.04	MT		Bus	DJ5	C115A	Outer Joint	35	45	190	54T
	1994.08-2002.04	MT		Bus	DJ5	C115	Outer Joint	35	45	190	
	1994.08-2002.04	MT		Bus	DJ5	C908A	Outer Joint	28	39	176	54T
	1994.08-2002.04	MT		Bus	DJ5	C908	Outer Joint	28	39	176	
	1994.08-2002.04	MT	L	Bus	DJ5	C9018	Drive Shaft	28	37	771	
	1994.08-2002.04	MT	L	Bus	DJ5	C9018A	Drive Shaft	28	37	771	54T
	1994.08-2002.04	MT	L	Bus	DJ5	C9015	Drive Shaft	28	41	757.5	
	1994.08-2002.04	MT	L	Bus	DJ5	C9015A	Drive Shaft	28	41	757.5	54T
	1994.08-2002.04	MT	L	Bus	DJ5	C810	Inner Joint		41		
	1994.08-2002.04	MT	L	Bus	DJ5	C9012A	Drive Shaft	35	41	762	54T
	1994.08-2002.04	MT	L	Bus	DJ5	C807	Inner Joint		41		
	1994.08-2002.04	MT	R	Bus	DJ5	C9017	Drive Shaft	28	37	1072	
	1994.08-2002.04	MT	R	Bus	DJ5	C9017A	Drive Shaft	28	37	1072	54T
	1994.08-2002.04	MT	L	Bus	DJ5	C816	Inner Joint		41		
	1994.08-2002.04	MT	R	Bus	DJ5	C817	Inner Joint		41		
	1994.08-2002.04	MT	R	Bus	DJ5	C9016	Drive Shaft	28	41	1079	
	1994.08-2002.04	MT	R	Bus	DJ5	C9016A	Drive Shaft	28	41	1079	54T
	1994.08-2002.04	MT	R	Bus	DJ5	C811	Inner Joint		41		
	1994.08-2002.04	MT	R	Bus	DJ5	C9011	Drive Shaft	35	41	1085	
	1994.08-2002.04	MT	R	Bus	DJ5	C806	Inner Joint		41		
1994.08-2002.04	MT	R	Bus	DJ5	C9011A	Drive Shaft	35	41	1085	54T	
2.5 D 4WD (63 kW)	1996.08-2002.04	MT		Bus	DJ5	C115A	Outer Joint	35	45	190	54T
	1996.08-2002.04	MT		Bus	DJ5	C115	Outer Joint	35	45	190	
	1996.08-2002.04	MT		Bus	DJ5	C908A	Outer Joint	28	39	176	54T
	1996.08-2002.04	MT		Bus	DJ5	C908	Outer Joint	28	39	176	
	1996.08-2002.04	MT	L	Bus	DJ5	C9018	Drive Shaft	28	37	771	
	1996.08-2002.04	MT	L	Bus	DJ5	C9018A	Drive Shaft	28	37	771	54T
	1996.08-2002.04	MT	L	Bus	DJ5	C9015	Drive Shaft	28	41	757.5	

Model	Year	Gearbox	Side	Body	Engine	Index	Product	Specification			
								A	B	C	ABS
	1996.08-2002.04	MT	L	Bus	DJ5	C9015A	Drive Shaft	28	41	757.5	54T
	1996.08-2002.04	MT	L	Bus	DJ5	C810	Inner Joint		41		
	1996.08-2002.04	MT	L	Bus	DJ5	C9012A	Drive Shaft	35	41	762	54T
	1996.08-2002.04	MT	L	Bus	DJ5	C807	Inner Joint		41		
	1996.08-2002.04	MT	R	Bus	DJ5	C9017	Drive Shaft	28	37	1072	
	1996.08-2002.04	MT	R	Bus	DJ5	C9017A	Drive Shaft	28	37	1072	54T
	1996.08-2002.04	MT	L	Bus	DJ5	C816	Inner Joint		41		
	1996.08-2002.04	MT	R	Bus	DJ5	C817	Inner Joint		41		
	1996.08-2002.04	MT	R	Bus	DJ5	C9016	Drive Shaft	28	41	1079	
	1996.08-2002.04	MT	R	Bus	DJ5	C9016A	Drive Shaft	28	41	1079	54T
	1996.08-2002.04	MT	R	Bus	DJ5	C811	Inner Joint		41		
	1996.08-2002.04	MT	R	Bus	DJ5	C9011	Drive Shaft	35	41	1085	
	1996.08-2002.04	MT	R	Bus	DJ5	C806	Inner Joint		41		
	1996.08-2002.04	MT	R	Bus	DJ5	C9011A	Drive Shaft	35	41	1085	54T
2.5 TD (76 kW)	1994.08-2002.04	MT		Bus	DJ5T	C115A	Outer Joint	35	45	190	54T
	1994.08-2002.04	MT		Bus	DJ5T	C115	Outer Joint	35	45	190	
	1994.08-2002.04	MT		Bus	DJ5T	C908A	Outer Joint	28	39	176	54T
	1994.08-2002.04	MT		Bus	DJ5T	C908	Outer Joint	28	39	176	
	1994.08-2002.04	MT	L	Bus	DJ5T	C9018	Drive Shaft	28	37	771	
	1994.08-2002.04	MT	L	Bus	DJ5T	C9018A	Drive Shaft	28	37	771	54T
	1994.08-2002.04	MT	L	Bus	DJ5T	C9015	Drive Shaft	28	41	757.5	
	1994.08-2002.04	MT	L	Bus	DJ5T	C9015A	Drive Shaft	28	41	757.5	54T
	1994.08-2002.04	MT	L	Bus	DJ5T	C810	Inner Joint		41		
	1994.08-2002.04	MT	L	Bus	DJ5T	C9012A	Drive Shaft	35	41	762	54T
	1994.08-2002.04	MT	L	Bus	DJ5T	C807	Inner Joint		41		
	1994.08-2002.04	MT	R	Bus	DJ5T	C9017	Drive Shaft	28	37	1072	
	1994.08-2002.04	MT	R	Bus	DJ5T	C9017A	Drive Shaft	28	37	1072	54T
	1994.08-2002.04	MT	L	Bus	DJ5T	C816	Inner Joint		41		
	1994.08-2002.04	MT	R	Bus	DJ5T	C817	Inner Joint		41		
	1994.08-2002.04	MT	R	Bus	DJ5T	C9016	Drive Shaft	28	41	1079	
	1994.08-2002.04	MT	R	Bus	DJ5T	C9016A	Drive Shaft	28	41	1079	54T
	1994.08-2002.04	MT	R	Bus	DJ5T	C811	Inner Joint		41		
	1994.08-2002.04	MT	R	Bus	DJ5T	C9011	Drive Shaft	35	41	1085	
	1994.08-2002.04	MT	R	Bus	DJ5T	C806	Inner Joint		41		
1994.08-2002.04	MT	R	Bus	DJ5T	C9011A	Drive Shaft	35	41	1085	54T	
2.5 TD 4WD (76 kW)	1996.08-2002.04	MT		Bus	DJ5T	C115A	Outer Joint	35	45	190	54T
	1996.08-2002.04	MT		Bus	DJ5T	C115	Outer Joint	35	45	190	
	1996.08-2002.04	MT		Bus	DJ5T	C908A	Outer Joint	28	3P	176	54T
	1996.08-2002.04	MT		Bus	DJ5T	C908	Outer Joint	28	39	176	
	1996.08-2002.04	MT	L	Bus	DJ5T	C9018	Drive Shaft	28	37	771	
	1996.08-2002.04	MT	L	Bus	DJ5T	C9018A	Drive Shaft	28	37	771	54T
	1996.08-2002.04	MT	L	Bus	DJ5T	C9015	Drive Shaft	28	41	757.5	
	1996.08-2002.04	MT	L	Bus	DJ5T	C9015A	Drive Shaft	28	41	757.5	54T
	1996.08-2002.04	MT	L	Bus	DJ5T	C810	Inner Joint		41		
	1996.08-2002.04	MT	L	Bus	DJ5T	C9012A	Drive Shaft	35	41	762	54T
	1996.08-2002.04	MT	L	Bus	DJ5T	C807	Inner Joint		41		
	1996.08-2002.04	MT	R	Bus	DJ5T	C9017	Drive Shaft	28	37	1072	
	1996.08-2002.04	MT	R	Bus	DJ5T	C9017A	Drive Shaft	28	37	1072	54T
	1996.08-2002.04	MT	L	Bus	DJ5T	C816	Inner Joint		41		

Model	Year	Gearbox	Side	Body	Engine	Index	Product	Specification			
								A	B	C	ABS
	1996.08-2002.04	MT	R	Bus	DJ5T	C817	Inner Joint		41		
	1996.08-2002.04	MT	R	Bus	DJ5T	C9016	Drive Shaft	28	41	1079	
	1996.08-2002.04	MT	R	Bus	DJ5T	C9016A	Drive Shaft	28	41	1079	54T
	1996.08-2002.04	MT	R	Bus	DJ5T	C811	Inner Joint		41		
	1996.08-2002.04	MT	R	Bus	DJ5T	C9011	Drive Shaft	35	41	1085	
	1996.08-2002.04	MT	R	Bus	DJ5T	C806	Inner Joint		41		
	1996.08-2002.04	MT	R	Bus	DJ5T	C9011A	Drive Shaft	35	41	1085	54T
2.5 TDi (79 kW)	1996.12-2000.11	MT		Bus	DJ5TED	C115A	Outer Joint	35	45	190	54T
	1996.12-2000.11	MT		Bus	DJ5TED	C115	Outer Joint	35	45	190	
	1996.12-2000.11	MT		Bus	DJ5TED	C908A	Outer Joint	28	39	176	54T
	1996.12-2000.11	MT		Bus	DJ5TED	C908	Outer Joint	28	39	176	
	1996.12-2000.11	MT	L	Bus	DJ5TED	C9018	Drive Shaft	28	37	771	
	1996.12-2000.11	MT	L	Bus	DJ5TED	C9018A	Drive Shaft	28	37	771	54T
	1996.12-2000.11	MT	L	Bus	DJ5TED	C9015	Drive Shaft	28	41	757.5	
	1996.12-2000.11	MT	L	Bus	DJ5TED	C9015A	Drive Shaft	28	41	757.5	54T
	1996.12-2000.11	MT	L	Bus	DJ5TED	C810	Inner Joint		41		
	1996.12-2000.11	MT	L	Bus	DJ5TED	C9012A	Drive Shaft	35	41	762	54T
	1996.12-2000.11	MT	L	Bus	DJ5TED	C807	Inner Joint		41		
	1996.12-2000.11	MT	R	Bus	DJ5TED	C9017	Drive Shaft	28	37	1072	
	1996.12-2000.11	MT	R	Bus	DJ5TED	C9017A	Drive Shaft	28	37	1072	54T
	1996.12-2000.11	MT	L	Bus	DJ5TED	C816	Inner Joint		41		
	1996.12-2000.11	MT	R	Bus	DJ5TED	C817	Inner Joint		41		
	1996.12-2000.11	MT	R	Bus	DJ5TED	C9016	Drive Shaft	28	41	1079	
	1996.12-2000.11	MT	R	Bus	DJ5TED	C9016A	Drive Shaft	28	41	1079	54T
	1996.12-2000.11	MT	R	Bus	DJ5TED	C811	Inner Joint		41		
	1996.12-2000.11	MT	R	Bus	DJ5TED	C9011	Drive Shaft	35	41	1085	
	1996.12-2000.11	MT	R	Bus	DJ5TED	C806	Inner Joint		41		
1996.12-2000.11	MT	R	Bus	DJ5TED	C9011A	Drive Shaft	35	41	1085	54T	
2.5 TDi 4WD (79 kW)	1996.12-2000.11	MT		Bus	DJ5TED	C115A	Outer Joint	35	45	190	54T
	1998.12-2000.11	MT		Bus	DJ5TED	C115	Outer Joint	35	45	190	
	1996.12-2000.11	MT		Bus	DJ5TED	C908A	Outer Joint	28	39	176	54T
	1996.12-2000.11	MT		Bus	DJ5TED	C908	Outer Joint	28	39	176	
	1996.12-2000.11	MT	L	Bus	DJ5TED	C9018	Drive Shaft	28	37	771	
	1996.12-2000.11	MT	L	Bus	DJ5TED	C9018A	Drive Shaft	28	37	771	54T
	1996.12-2000.11	MT	L	Bus	DJ5TED	C9015	Drive Shaft	28	41	757.5	
	1996.12-2000.11	MT	L	Bus	DJ5TED	C9015A	Drive Shaft	28	41	757.5	54T
	1996.12-2000.11	MT	L	Bus	DJ5TED	C810	Inner Joint		41		
	1996.12-2000.11	MT	L	Bus	DJ5TED	C9012A	Drive Shaft	35	41	762	54T
	1996.12-2000.11	MT	L	Bus	DJ5TED	C807	Inner Joint		41		
	1996.12-2000.11	MT	R	Bus	DJ5TED	C9017	Drive Shaft	28	37	1072	
	1996.12-2000.11	MT	R	Bus	DJ5TED	C9017A	Drive Shaft	28	37	1072	54T
	1996.12-2000.11	MT	L	Bus	DJ5TED	C816	Inner Joint		41		
	1996.12-2000.11	MT	R	Bus	DJ5TED	C817	Inner Joint		41		
	1996.12-2000.11	MT	R	Bus	DJ5TED	C9016	Drive Shaft	28	41	1079	
	1996.12-2000.11	MT	R	Bus	DJ5TED	C9016A	Drive Shaft	28	41	1079	54T
	1996.12-2000.11	MT	R	Bus	DJ5TED	C811	Inner Joint		41		
	1996.12-2000.11	MT	R	Bus	DJ5TED	C9011	Drive Shaft	35	41	1085	
	1996.12-2000.11	MT	R	Bus	DJ5TED	C806	Inner Joint		41		
	1996.12-2000.11	MT	R	Bus	DJ5TED	C9011A	Drive Shaft	35	41	1085	54T

Model	Year	Gearbox	Side	Body	Engine	Index	Product	Specification			
								A	B	C	ABS
2.8 HDi (94 kW)	2000.09-2002.04	MT		Bus	8140.43S	C115A	Outer Joint	35	45	190	54T
	2000.09-2002.04	MT		Bus	8140.43S	C115	Outer Joint	35	45	190	
	2000.09-2002.04	MT	L	Bus	8140.43S	C9012A	Drive Shaft	35	41	762	54T
	2000.09-2002.04	MT	L	Bus	814043S	C807	Inner Joint		41		
	2000.09-2002.04	MT	R	Bus	8140.43S	C9011	Drive Shaft	35	41	1085	
	2000.09-2002.04	MT	R	Bus	8140.43S	C806	Inner Joint		41		
	2000.09-2002.04	MT	R	Bus	8140.43S	C9011A	Drive Shaft	35	41	1085	54T
JUMPER (244)											
2.0 (81 kW)	2002.04-	MT		Box	XU10	C115A	Outer Joint	35	45	190	54T
	2002.04-	MT		Box	XU10	C908A	Outer Joint	28	39	176	54T
2.0 HDi (62 kW)	2002.04-	MT		Box	DW10	C908A	Outer Joint	28	39	176	54T
	2002.04-	MT		Platform	DW10	C908A	Outer Joint	28	39	176	54T
2.8 HDi (94 kW)	2002.04-	MT		Box	8140.43S	C115A	Outer Joint	35	45	190	54T
	2002.04-	MT		Box	8140.43S	C908A	Outer Joint	28	39	176	54T
	2002.04-	MT		Platform	8140.43S	C115A	Outer Joint	35	45	190	54T
	2002.04-	MT		Platform	8140.43S	C908A	Outer Joint	28	39	176	54T
2.8 HDi 4WD (94 kW)	2002.04-	MT		Box	8140.43S	C908A	Outer Joint	28	39	176	54T
JUMPER (244,Z_)											
2.0 (81 kW)	2002.04-	MT		Bus	XU10	C115A	Outer Joint	35	45	190	54T
	2002.04-	MT		Bus	XU10	C908A	Outer Joint	28	39	176	54T
2.0 HDi (62 kW)	2002.04-	MT		Bus	DW10	C908A	Outer Joint	28	39	176	54T
2.8 HDi (94 kW)	2002.04-	MT		Bus	8140.43S	C115A	Outer Joint	35	45	190	54T
	2002.04-	MT		Bus	8140.43S	C908A	Outer Joint	28	39	176	54T
JUMPER II											
2.2 HDi 100 (74 kW)	2006.04-	5MT/6MT		Box	4HV	C931	Outer Joint	35	27	194	
	2006.04-	5MT/6MT		Bus	4HV	C931	Outer Joint	35	27	194	
	2006.04-	5MT/6MT		Platform	4HV	C931	Outer Joint	35	27	194	
2.2 HDi 120 (88 kW)	2006.04-	5MT/6MT		Box	4HU	C931	Outer Joint	35	27	194	
	2006.04-	5MT/6MT	L	Box	4HU	C9019A	Drive Shaft	35	41	810	
	2006.04-	5MT/6MT	R	Box	4HU	C9020A	Drive Shaft	35	41	1140	
	2006.04-	5MT/6MT		Bus	4HU	C931	Outer Joint	35	27	194	
	2006.04-	5MT/6MT	L	Bus	4HU	C9019A	Drive Shaft	35	41	810	
	2006.04-	5MT/6MT	R	Bus	4HU	C9020A	Drive Shaft	35	41	1140	
	2006.04-	5MT/6MT		Platform	4HU	C931	Outer Joint	35	27	194	
	2006.04-	5MT/6MT	L	Platform	4HU	C9019A	Drive Shaft	35	41	810	
	2006.04-	5MT/6MT	R	Platform	4HU	C9020A	Drive Shaft	35	41	1140	
2.2 HDi 130 (96 kW)	2011.07-	5MT/6MT	L	Bus	4HU	C9019A	Drive Shaft	35	41	810	
	2011.07-	5MT/6MT	R	Bus	4HU	C9020A	Drive Shaft	35	41	1140	
	2011.07-	5MT/6MT	L	Box	4HU	C9019A	Drive Shaft	35	41	810	
	2011.07-	5MT/6MT	R	Box	4HU	C9020A	Drive Shaft	35	41	1140	
	2011.07-	5MT/6MT	L	Platform	4HU	C9019A	Drive Shaft	35	41	810	
	2011.07-	5MT/6MT	R	Platform	4HU	C9020A	Drive Shaft	35	41	1140	
3.0 HDi 160 (116 kW)	2006.04-	6MT		Box	F30DT	C929	Outer Joint	35	29	198	
	2006.04-	6MT		Bus	F30DT	C929	Outer Joint	35	29	198	
	2006.04-	6MT		Platform	F30DT	C929	Outer Joint	35	29	198	
	2006.04-	6MT	L	Box	F30DT	C9984	Drive Shaft	35	31	750	
	2006.04-	6MT	R	Box	F30DT	C9985	Drive Shaft	35	31	1205	
	2006.04-	6MT	L	Platform	F30DT	C9984	Drive Shaft	35	31	750	
	2006.04-	6MT	R	Platform	F30DT	C9985	Drive Shaft	35	31	1205	

Model	Year	Gearbox	Side	Body	Engine	Index	Product	Specification			
								A	B	C	ABS
	2006.04-	6MT	L	Bus	F30DT	C9984	Drive Shaft	35	31	750	
	2006.04-	6MT	R	Bus	F30DT	C9985	Drive Shaft	35	31	1205	
JUMPY (BS ,BT ,BY ,BZ)											
1.6 i (58 kW)	1995.10-	MT	L	Box	220A2000	C9028A	Drive Shaft	27	24	648	48T
	1995.10-	MT	R	Box	220A2000	C9027	Drive Shaft	27	24	928	
	1995.10-	MT	R	Box	220A2000	C9027A	Drive Shaft	27	24	928	48T
1.9 D 70 (51 kW)	1998.04-	MT	L	Box	DW8	C9028A	Drive Shaft	27	24	648	48T
	1998.04-	MT	R	Box	DW8	C9027	Drive Shaft	27	24	928	
	1998.04-	MT	R	Box	DW8	C9027A	Drive Shaft	27	24	928	48T
1.9 TD (66 kW)	1995.10-			Box	XUD9	C914A	Outer Joint	27	39	145	48T
	1995.10-	MT	L	Box	XUD9	C9021A	Drive Shaft	27	37	641	48T
	1995.10-	MT	R	Box	XUD9	C9022	Drive Shaft	27	37	947	
	1995.10-	MT	R	Box	XUD9	C9022A	Drive Shaft	27	37	947	48T
2.0 HDi 110 (80 kW)	2002.01-			Box	DW10	C914A	Outer Joint	27	39	145	48T
2.0 HDi 95 (89 kW)	1999.10-			Box	DW10	C914A	Outer Joint	27	39	145	48T
	1999.10-	MT	L	Box	DW10	C9021A	Drive Shaft	27	37	641	48T
	1999.10-	MT	R	Box	DW10	C9022	Drive Shaft	27	37	947	
	1999.10-	MT	R	Box	DW10	C9022A	Drive Shaft	27	37	947	48T
JUMPY (BU ,BV ,BW ,BX)											
1.9TD (68 kW)	1999.10-			Platform	XUD9	C914A	Outer Joint	27	39	145	48T
	1999.10-	MT	L	Platform	XUD9	C9021A	Drive Shaft	27	37	641	48T
	1999.10-	MT	R	Platform	XUD9	C9022	Drive Shaft	27	37	947	
	1999.10-	MT	R	Platform	XUD9	C9022A	Drive Shaft	27	37	947	48T
2.0 HDi 95 (69 kW)	1999.10-			Platform	RHX	C914A	Outer Joint	27	39	145	48T
	1999.10-	MT	L	Platform	RHX	C9021A	Drive Shaft	27	37	641	48T
	1999.10-	MT	R	Platform	RHX	C9022	Drive Shaft	27	37	947	
	1999.10-	MT	R	Platform	RHX	C9022A	Drive Shaft	27	37	947	48T
JUMPY (U6U)											
1.6 (58 kW)	1995.10-			MPV	220A2000	C915A	Outer Joint	27	34	137	48T
	1995.10-	MT	L	MPV	220A2000	C9028A	Drive Shaft	27	24	648	48T
	1995.10-	MT	R	MPV	220A2000	C9027	Drive Shaft	27	24	928	
	1995.10-	MT	R	MPV	220A2000	C9027A	Drive Shaft	27	24	928	48T
1.9 D (51 kW)	1995.10-1998.04			MPV	XUD9	C915A	Outer Joint	27	34	137	48T
	1995.10-1998.04	MT	L	MPV	XUD9	C9028A	Drive Shaft	27	24	648	48T
	1995.10-1998.04	MT	R	MPV	XUD9	C9027	Drive Shaft	27	24	928	
	1995.10-1998.04	MT	R	MPV	XUD9	C9027A	Drive Shaft	27	24	928	48T
1.9 D 70 (51 kW)	1998.04-	MT	L	MPV	DW8	C9028A	Drive Shaft	27	24	648	48T
	1998.04-	MT	R	MPV	DW8	C9027	Drive Shaft	27	24	928	
	1998.04-	MT	R	MPV	DW8	C9027A	Drive Shaft	27	24	928	48T
1.9 TD (66 kW)	1995.10-			MPV	XUD9	C914	Outer Joint	27	39	145	
	1995.10-			MPV	XUD9	C914A	Outer Joint	27	39	145	48T
	1995.10-	MT	L	MPV	XUD9	C9021A	Drive Shaft	27	37	641	48T
	1995.10-	MT	R	MPV	XUD9	C9022	Drive Shaft	27	37	947	
	1995.10-	MT	R	MPV	XUD9	C9022A	Drive Shaft	27	37	947	48T
1.9 TD (68 kW)	1996.04-			MPV	XUD9	C914	Outer Joint	27	39	145	
	1996.04-			MPV	XUD9	C914A	Outer Joint	27	39	145	48T
	1996.04-	MT	L	MPV	XUD9	C9021A	Drive Shaft	27	37	641	48T
	1996.04-	MT	R	MPV	XUD9	C9022	Drive Shaft	27	37	947	
	1996.04-	MT	R	MPV	XUD9	C9022A	Drive Shaft	27	37	947	48T

Model	Year	Gearbox	Side	Body	Engine	Index	Product	Specification			
								A	B	C	ABS
2.0 (100 kW)	2000.04-2006.12	5MT	L	MPV	EW10	C9028A	Drive Shaft	27	24	648	48T
	2000.04-2006.12	5MT	R	MPV	EW10	C9027	Drive Shaft	27	24	928	
2.0 HDi 110 (80 kW)	2000.03-			MPV	DW10	C914A	Outer Joint	27	39	145	48T
	2000.03-	MT	L	MPV	DW10	C9021A	Drive Shaft	27	37	641	48T
	2000.03-	MT	R	MPV	DW10	C9022	Drive Shaft	27	37	947	
	2000.03-	MT	R	MPV	DW10	C9022A	Drive Shaft	27	37	947	48T
2.0 HDi 95 (69 kW)	1999.10-			MPV	RHX	C914A	Outer Joint	27	39	145	48T
	1999.10-	MT	L	MPV	RHX	C9021A	Drive Shaft	27	37	641	48T
	1999.10-	MT	R	MPV	RHX	C9022	Drive Shaft	27	37	947	
	1999.10-	MT	R	MPV	RHX	C9022A	Drive Shaft	27	37	947	48T
JUMPY II											
1.6 HDi 90 (66 kW)	2007.01-		L	Box	DV6	C9919	Drive Shaft	28	24	685	
	2007.01-		R	Box	DV6	C9920	Drive Shaft	28	24	975	
	2007.01-		L	MPV	DV6	C9919	Drive Shaft	28	24	685	
	2007.01-		R	MPV	DV6	C9920	Drive Shaft	28	24	975	
2.0 i (103 kW)	2007.01-		L	Box	EW10	C9919	Drive Shaft	28	24	685	
	2007.01-		R	Box	EW10	C9920	Drive Shaft	28	24	975	
	2007.01-		L	MPV	EW10	C9919	Drive Shaft	28	24	685	
	2007.01-		R	MPV	EW10	C9920	Drive Shaft	28	24	975	
2.0 HDi 120 (88 kW)	2007.01-			Box	DW10	C910	Outer Joint	28	39	156	
	2007.01-		L	Box	DW10	C9921	Drive Shaft	28	37	676	
	2007.01-		R	Box	DW10	C9922	Drive Shaft	28	37	1005	
	2007.01-			MPV	DW10	C910	Outer Joint	28	39	156	
	2007.01-		L	MPV	DW10	C9921	Drive Shaft	28	37	676	
	2007.01-		R	MPV	DW10	C9922	Drive Shaft	28	37	1005	
2.0 HDi 140 (100 kW)	2007.01-			Box	DW10	C910	Outer Joint	28	39	156	
	2007.01-		L	Box	DW10	C9921	Drive Shaft	28	37	676	
	2007.01-		R	Box	DW10	C9922	Drive Shaft	28	37	1005	
	2007.01-			MPV	DW10	C910	Outer Joint	28	39	156	
	2007.01-		L	MPV	DW10	C9921	Drive Shaft	28	37	676	
	2007.01-		R	MPV	DW10	C9922	Drive Shaft	28	37	1005	
2.0 HDi 165 (120 kW)	2010.07-			Box	DW10	C910	Outer Joint	28	39	156	
	2010.07-		L	Box	DW10	C9921	Drive Shaft	28	37	676	
	2010.07-		R	Box	DW10	C9922	Drive Shaft	28	37	1005	
	2010.07-			MPV	DW10	C910	Outer Joint	28	39	156	
	2010.07-		L	MPV	DW10	C9921	Drive Shaft	28	37	676	
	2010.07-		R	MPV	DW10	C9922	Drive Shaft	28	37	1005	
NEMO											
1.4 HDi (50 kW)	2008.02-		R	Box	DV4	C9950	Drive Shaft	25	22	885	
	2008.02-		L	Box	DV4	C9951	Drive Shaft	25	22	655	
1.4 HDi (50 kW)	2009.04-		R	MPV	DV4	C9950	Drive Shaft	25	22	885	
	2009.04-		L	MPV	DV4	C9951	Drive Shaft	25	22	655	
SAXO (S0,S1)											
1.0 X (33 kW)	1996.05-1998.11	MT	L	Hatchback	TU9	C9005	Drive Shaft	21	22	618	
	1996.05-1998.11	MT	R	Hatchback	TU9	C9006	Drive Shaft	21	22	800	
1.0 X (37 kW)	1998.05-2003.06	MT	L	Hatchback	TU9	C9005	Drive Shaft	21	22	618	
	1993.05-2003.06	MT	L	Hatchback	TU9	C9051	Drive Shaft	21	22	614	
	1998.05-2003.06	MT	R	Hatchback	TU9	C9006	Drive Shaft	21	22	800	
	1998.05-2003.06	MT	R	Hatchback	TU9	C9050	Drive Shaft	21	22	798	

Model	Year	Gearbox	Side	Body	Engine	Index	Product	Specification			
								A	B	C	ABS
	1998.05-2003.06	MT	L	Hatchback	TU9	C9057A	Drive Shaft	21	22	624	48T
	1998.05-2003.06	MT	R	Hatchback	TU9	C9056A	Drive Shaft	21	22	807	48T
1.1 X,SX (40 kW)	1996.05-2003.09	MT	L	Hatchback	TU1	C9005	Drive Shaft	21	22	618	
	1996.05-2003.09	MT	L	Hatchback	TU1	C9051	Drive Shaft	21	22	614	
	1996.05-2003.09	MT	R	Hatchback	TU1	C9006	Drive Shaft	21	22	800	
	1996.05-2003.09	MT	R	Hatchback	TU1	C9050	Drive Shaft	21	22	798	
	1998.05-2003.09	MT	L	Hatchback	TU1	C9057A	Drive Shaft	21	22	624	48T
	1998.05-2003.09	MT	R	Hatchback	TU1	C9056A	Drive Shaft	21	22	807	48T
1.1 X, SX (44 kW)	1996.05-2003.09	MT	L	Hatchback	TU1	C9005	Drive Shaft	21	22	618	
	1996.05-2003.09	MT	L	Hatchback	TU1	C9051	Drive Shaft	21	22	614	
	1996.05-2003.09	MT	R	Hatchback	TU1	C9006	Drive Shaft	21	22	800	
	1996.05-2003.09	MT	R	Hatchback	TU1	C9050	Drive Shaft	21	22	798	
	1998.05-2003.09	MT	L	Hatchback	TU1	C9057A	Drive Shaft	21	22	624	48T
	1998.05-2003.09	MT	R	Hatchback	TU1	C9056A	Drive Shaft	21	22	807	48T
1.4 VTS (55 kW)	1996.05-2003.06	MT	L	Hatchback	TU3	C9051	Drive Shaft	21	22	614	
	1996.05-2003.06	MT	R	Hatchback	TU3	C9050	Drive Shaft	21	22	798	
	1998.05-2003.06	MT	L	Hatchback	TU3	C9057A	Drive Shaft	21	22	624	48T
	1998.05-2003.06	MT	R	Hatchback	TU3	C9056A	Drive Shaft	21	22	807	48T
1.5 D (40 Kw)	1996.09-2003.09	MT	L	Hatchback	TUD5	C9057A	Drive Shaft	21	22	624	48T
	1996.09-2003.09	MT	R	Hatchback	TUD5	C9056A	Drive Shaft	21	22	807	48T
1.5 D (42 kW)	1996.09-2003.09	MT	L	Hatchback	TUD5	C9057A	Drive Shaft	21	22	624	48T
	1996.09-2003.09	MT	R	Hatchback	TUD5	C9056A	Drive Shaft	21	22	807	48T
VISA											
1.7 D (44 kW)	1984.04-1991.03	MT	L	Hatchback	XUD7	C9044	Drive Shaft	21	24	567	
	1984.04-1991.03	MT	R	Hatchback	XUD7	C9035D	Drive Shaft	21	24	845	
XANTIA											
1.8	1998.01-2001.04					C927A	Outer Joint	25	34	133	48T
1.9 TD	1998.01-1999.06	MT				C927A	Outer Joint	25	34	133	48T
2.0 16V	1998.01-2001.04	MT				C927A	Outer Joint	25	34	133	48T
XANTIA (X1)											
1.6 i (65 kW)	1993.03-1998.01	MT		Hatchback	XU5	C105	Outer Joint	25	23	135	
1.8 i (74 kW)	1993.03-1998.01	MT		Hatchback	XU7	C105	Outer Joint	25	23	135	
	1995.06-1998.01	MT		Estate	XU7	C105	Outer Joint	25	23	135	
1.8 i 16V (81 kW)	1995.06-1998.01	MT		Estate	XU7	C105	Outer Joint	25	23	135	
	1995.06-1998.01	MT		Hatchback	XU7	C105	Outer Joint	25	23	135	
1.9 D (50 kW)	1994.06-1998.01	MT		Hatchback	XUD9	C105	Outer Joint	25	23	135	
1.9 D (51 kW)	1994.06-1998.01	MT		Hatchback	XUD9	C105	Outer Joint	25	23	135	
1.9 SD (55 kW)	1996.02-1998.01	MT		Hatchback	XUD9	C105	Outer Joint	25	23	135	
	1997.04-1998.01	MT		Estate	XUD9	C105	Outer Joint	25	23	135	
1.9 Turbo D (66 kW)	1994.10-1998.01	MT		Hatchback	XUD9	C105	Outer Joint	25	23	135	
	1995.06-1998.01	MT		Estate	XUD9	C105	Outer Joint	25	23	135	
	1994.10-1998.01	MT	R	Hatchback	XUD9	C9001A	Drive Shaft	25	24	892	48T
	1994.10-1998.01	MT	L	Hatchback	XUD9	C9002A	Drive Shaft	25	24	610	48T
	1995.06-1998.01	MT	R	Estate	XUD9	C9001A	Drive Shaft	25	24	892	48T
	1995.06-1998.01	MT	L	Estate	XUD9	C9002A	Drive Shaft	25	24	610	48T
2.0 i (89 kW)	1993.03-1998.01	MT		Hatchback	XU10	C105	Outer Joint	25	23	135	
	1995.06-1998.01	MT		Estate	XU10	C105	Outer Joint	25	23	135	
	1993.03-1998.01	MT	R	Hatchback	XU10	C9001A	Drive Shaft	25	24	892	48T
	1993.03-1998.01	MT	L	Hatchback	XU10	C9002A	Drive Shaft	25	24	610	48T

Model	Year	Gearbox	Side	Body	Engine	Index	Product	Specification			
								A	B	C	ABS
	1995.06-1998.01	MT	R	Estate	XU10	C9001A	Drive Shaft	25	24	892	48T
	1995.06-1998.01	MT	L	Estate	XU10	C9002A	Drive Shaft	25	24	610	48T
2.0 i 16V (110 kW)	1994.06-1998.01	MT	R	Hatchback	XU10	C9001A	Drive Shaft	25	24	892	48T
	1994.06-1998.01	MT	L	Hatchback	XU10	C9002A	Drive Shaft	25	24	610	48T
2.0 i 16V (112 kW)	1993.03-1998.01	MT	R	Hatchback	XU10	C9001A	Drive Shaft	25	24	892	48T
	1993.03-1998.01	MT	L	Hatchback	XU10	C9002A	Drive Shaft	25	24	610	48T
2.0 i 16V (97 kW)	1995.06-1998.01	MT		Estate	XU10	C105	Outer Joint	25	23	135	
	1995.06-1998.01	MT		Hatchback	XU10	C105	Outer Joint	25	23	135	
	1995.06-1998.01	MT	R	Hatchback	XU10	C9001A	Drive Shaft	25	24	892	48T
	1995.06-1998.01	MT	L	Hatchback	XU10	C9002A	Drive Shaft	25	24	610	48T
	1995.06-1998.01	MT	R	Estate	XU10	C9001A	Drive Shaft	25	24	892	48T
	1995.06-1998.01	MT	L	Estate	XU10	C9002A	Drive Shaft	25	24	610	48T
2.0 Turbo (108 kW)	1995.06-1998.01			Estate	XU10	C928A	Outer Joint	25	39	153	48T
	1995.06-1998.01	MT		Estate	XU10	C105	Outer Joint	25	23	135	
	1995.06-1998.01			Hatchback	XU10	C928A	Outer Joint	25	39	153	48T
	1995.06-1998.01	MT		Hatchback	XU10	C105	Outer Joint	25	23	135	
	1995.06-1998.01		L	Hatchback	XU10	C9003A	Drive Shaft	25	37	621	48T
	1995.06-1998.01		R	Hatchback	XU10	C9004A	Drive Shaft	25	37	918	48T
	1995.06-1998.01		L	Estate	XU10	C9003A	Drive Shaft	25	37	621	48T
	1995.06-1998.01		R	Estate	XU10	C9004A	Drive Shaft	25	37	918	48T
2.1 Turbo D 12V (80 kW)	1995.06-1998.01			Hatchback	XUD11	C928A	Outer Joint	25	39	153	48T
	1996.06-1998.01			Estate	XUD11	C928A	Outer Joint	25	39	153	48T
	1995.06-1998.01		L	Hatchback	XUD11	C9003A	Drive Shaft	25	37	621	48T
	1995.06-1998.01		R	Hatchback	XUD11	C9004A	Drive Shaft	25	37	918	48T
	1996.06-1998.01		L	Estate	XUD11	C9003A	Drive Shaft	25	37	621	48T
	1996.06-1998.01		R	Estate	XUD11	C9004A	Drive Shaft	25	37	918	48T
3.0 i 24V (140 kW)	1997.01-1998.01		L	Hatchback	ES9	C9003A	Drive Shaft	25	37	621	48T
	1997.01-1998.01		R	Hatchback	ES9	C9004A	Drive Shaft	25	37	918	48T
XANTIA (X2)											
2.0 HDi 109 (80 kW)	1999.02-2003.04			Hatchback	DW10	C928A	Outer Joint	25	39	153	48T
	1999.02-2003.04		L	Hatchback	DW10	C9003A	Drive Shaft	25	37	621	48T
	1999.02-2003.04		R	Hatchback	DW10	C9004A	Drive Shaft	25	37	918	48T
	1999.02-2003.04		L	Estate	DW10	C9003A	Drive Shaft	25	37	621	48T
	1999.02-2003.04		R	Estate	DW10	C9004A	Drive Shaft	25	37	918	48T
2.0 Turbo (108 kW)	1998.01-2003.04			Estate	XU10	C928A	Outer Joint	25	39	153	48T
	1998.01-2003.04			Hatchback	XU10	C928A	Outer Joint	25	39	153	48T
	1998.01-2003.04		L	Hatchback	XU10	C9003A	Drive Shaft	25	37	621	48T
	1998.01-2003.04		R	Hatchback	XU10	C9004A	Drive Shaft	25	37	918	48T
	1998.01-2003.04		L	Estate	XU10	C9003A	Drive Shaft	25	37	621	48T
	1998.01-2003.04		R	Estate	XU10	C9004A	Drive Shaft	25	37	918	48T
2.1 Turbo D 12V (80 kW)	1998.01-1999.02		L	Hatchback	XUD11	C9003A	Drive Shaft	25	37	621	48T
	1998.01-1999.02		R	Hatchback	XUD11	C9004A	Drive Shaft	25	37	918	48T
	1998.01-1999.02		L	Estate	XUD11	C9003A	Drive Shaft	25	37	621	48T
	1998.01-1999.02		R	Estate	XUD11	C9004A	Drive Shaft	25	37	918	48T
3.0 i 24V (140 kW)	1998.01-2003.04		L	Hatchback	ES9	C9003A	Drive Shaft	25	37	621	48T
	1998.01-2003.04		R	Hatchback	ES9	C9004A	Drive Shaft	25	37	918	48T
	1998.01-2003.04		L	Estate	ES9	C9003A	Drive Shaft	25	37	621	48T
	1998.01-2003.04		R	Estate	ES9	C9004A	Drive Shaft	25	37	918	48T
XM (Y3)											

Model	Year	Gearbox	Side	Body	Engine	Index	Product	Specification			
								A	B	C	ABS
2.0 i (79 kW)	1989.05-1994.04		L	Hatchback	XU10	C9029A	Drive Shaft	28	24	651	48T
	1989.05-1994.04		R	Hatchback	XU10	C9030A	Drive Shaft	28	24	942.5	48T
	1991.11-1994.04	MT		Estate	XU10	C106A	Outer Joint	28	23	144	48T
	1991.11-1994.04			Estate	XU10	C9029A	Drive Shaft	28	24	651	48T
	1991.11-1994.04		R	Estate	XU10	C9030A	Drive Shaft	28	24	942.5	48T
2.0 i (89 kW)	1989.05-1994.06	MT		Hatchback	XU10	C106A	Outer Joint	28	23	144	48T
	1989.05-1994.06		L	Hatchback	XU10	C9029A	Drive Shaft	28	24	651	48T
	1989.05-1994.06		R	Hatchback	XU10	C9030A	Drive Shaft	28	24	942.5	48T
	1991.11-1994.04	MT		Estate	XU10	C106A	Outer Joint	28	23	144	48T
2.0 i (89 kW)	1991.11-1994.04		L	Estate	XU10	C9029A	Drive Shaft	28	24	651	48T
	1991.11-1994.04		R	Estate	XU10	C9030A	Drive Shaft	28	24	942.5	48T
2.1 D 12V (60 kW)	1989.05-1994.06	MT		Hatchback	XUD11	C106A	Outer Joint	28	23	144	48T
	1989.05-1994.06		L	Hatchback	XUD11	C9029A	Drive Shaft	28	24	651	48T
	1989.05-1994.06		R	Hatchback	XUD11	C9030A	Drive Shaft	28	24	942.5	48T
	1991.11-1994.04			Estate	XUD11	C106A	Outer Joint	28	23	144	48T
	1991.11-1994.04	MT		Estate	XUD11	C106A	Outer Joint	28	23	144	48T
	1991.11-1994.04		L	Estate	XUD11	C9029A	Drive Shaft	28	24	651	48T
	1991.11-1994.04		R	Estate	XUD11	C9030A	Drive Shaft	28	24	942.5	48T
2.1 TD 12V (80 kW)	1989.05-1994.06			Hatchback	XUD11	C107A	Outer Joint	28	27	152	48T
	1989.05-1994.06			Hatchback	XUD11	C961A	Outer Joint	28	27	152	29T
	1991.11-1994.04			Estate	XUD11	C107A	Outer Joint	28	27	152	48T
	1991.11-1994.04			Estate	XUD11	C961A	Outer Joint	28	27	152	29T
3.0 (123 kW)	1989.05-1994.05			Hatchback		C961A	Outer Joint	23	27	152	29T
3.0 V6 (123 kW)	1989.05-1994.06			Hatchback	ZPJ/Z	C107A	Outer Joint	28	27	152	48T
	1989.05-1994.06			Hatchback	ZPJ/Z	C961A	Outer Joint	28	27	152	29T
	1991.11-1994.04			Estate	ZPJ/Z	C107A	Outer Joint	28	27	152	48T
	1991.11-1994.04			Estate	ZPJ/Z	C961A	Outer Joint	28	27	152	29T
3.0 V6 24V (147 kW)	1990.07-1994.06			Hatchback	ZPJ4/Z	C107A	Outer Joint	28	27	152	48T
	1990.07-1994.06			Hatchback	ZPJ4/Z	C961A	Outer Joint	28	27	152	29T
XM (Y4)											
2.0 i 16V (97 kW)	1994.05-2000.10	MT/AT		Estate	XU10	C107A	Outer Joint	28	27	152	48T
2.0 Turbo (108 kW)	1994.05-2000.10	MT/AT		Estate	XU10	C107A	Outer Joint	28	27	152	48T
	1994.05-2000.10			Hatchback	XU10	C107A	Outer Joint	28	27	152	48T
2.1 D 12 (60 kW)	1994.07-1996.06	MT/AT		Estate	XUD11	C107A	Outer Joint	28	27	152	48T
2.1 TD 12V (80 kW)	1994.05-2000.10	MT/AT		Estate	XUD11	C107A	Outer Joint	28	27	152	48T
	1994.05-2000.10			Hatchback	XUD11	C107A	Outer Joint	28	27	152	48T
XSARA (N0)											
1.4 i (55 kW)	1998.03-2005.03	MT	L	Coupe	TU3	C9962A	Drive Shaft	25	22	603	29T
	1998.03-2005.03	MT	R	Coupe	TU3	C9963A	Drive Shaft	25	22	867	29T
	1998.03-2005.03	MT	L	Coupe	TU3	C9045	Drive Shaft	21	22	610	
	1998.03-2005.03	MT	R	Coupe	TU3	C9046	Drive Shaft	21	22	877	
1.8 i (66 kW)	1993.02-2000.09			Coupe	XU7	C111A	Outer Joint	25	34	134	29W
	1998.02-2000.09	MT	R	Coupe	XU7	C9025	Drive Shaft	25	24	868	
	1998.02-2000.09	MT	R	Coupe	XU7	C9025B	Drive Shaft	25	24	868	29T
1.8 i (74 kW)	1998.02-2000.09		R	Coupe	XU7	C9025B	Drive Shaft	25	24	868	29T
1.8 i 16V (81 kW)	1998.02-2000.09			Coupe	XU7	C111A	Outer Joint	25	34	134	29W
	1998.02-2000.09	MT	R	Coupe	XU7	C9025	Drive Shaft	25	24	868	
	1998.02-2000.09	MT	R	Coupe	XU7	C9025B	Drive Shaft	25	24	868	29T
1.9 D (50 kW)	1998.02-2000.09	5MT		Coupe	XUD9	C111A	Outer Joint	25	34	134	29W

Model	Year	Gearbox	Side	Body	Engine	Index	Product	Specification			
								A	B	C	ABS
	1998.02-2000.09	MT	R	Coupe	XUD9	C9025	Drive Shaft	25	24	868	
	1998.02-2000.09	MT	R	Coupe	XUD9	C9025B	Drive Shaft	25	24	868	29T
1.9 D (51 kW)	1999.02-2005.03	MT	R	Coupe	DW8	C9025	Drive Shaft	25	24	868	
	1999.02-2005.03	MT	R	Coupe	DW8	C9025B	Drive Shaft	25	24	868	29T
1.9 TD (66 kW)	1998.02-2000.09	5MT		Coupe	XUD9	C111A	Outer Joint	25	34	134	29W
	1998.02-2000.09	5MT	L	Coupe	XUD9	C9795A	Drive Shaft	25	24	585	29T
	1998.02-2000.09	MT	L	Coupe	XUD9	C9966A	Drive Shaft	25	24	583	29T
	1998.02-2000.09	MT	R	Coupe	XUD9	C9025	Drive Shaft	25	24	868	
	1998.02-2000.09	MT	R	Coupe	XUD9	C9025B	Drive Shaft	25	24	868	29T
2.0 16V (100 kW)	2000.09-2005.03	5MT		Coupe	EW10	C111A	Outer Joint	25	34	134	29W
	2000.09-2005.03	5MT	L	Coupe	EW10	C9795A	Drive Shaft	25	24	585	29T
	2000.09-2005.03		R	Coupe	EW10	C9964A	Drive Shaft	25	24	875	48T
	2000.09-2005.03		L	Coupe	EW10	C9965A	Drive Shaft	25	24	586	48T
2.0 i 16V (120 kW)	1998.02-2005.03		L	Coupe	XU10	C9795A	Drive Shaft	25	24	585	29T
	1998.02-2005.03	MT	L	Coupe	XU10	C9966A	Drive Shaft	25	24	583	29T
	1998.02-2005.03	MT	R	Coupe	XU10	C9025	Drive Shaft	25	24	868	
	1998.02-2005.03	MT	R	Coupe	XU10	C9025B	Drive Shaft	25	24	868	29T
2.0 HDi 90 (66 kW)	1999.02-2005.03			Coupe	DW10	C111A	Outer Joint	25	34	134	29W
	1999.02-2005.03		L	Coupe	DW10	C9795A	Drive Shaft	25	24	585	29T
	1999.02-2005.03		R	Coupe	DW10	C9964A	Drive Shaft	25	24	875	48T
	1999.02-2005.03		L	Coupe	DW10	C9965A	Drive Shaft	25	24	586	48T
2.0 HDi 109 (80 kW)	2001.05-2005.03	MT/AT		Coupe	DW10	C111A	Outer Joint	25	34	134	29W
	2001.05-2005.03	MT/AT	L	Coupe	DW10	C9795A	Drive Shaft	25	24	585	29T
	2001.05-2005.03		R	Coupe	DW10	C9964A	Drive Shaft	25	24	875	48T
	2001.05-2005.03		L	Coupe	DW10	C9965A	Drive Shaft	25	24	586	48T
XSARA (N1)											
1.4 i (55 kW)	1997.04-2005.03	MT	L	Hatchback	TU3	C9054	Drive Shaft	21	22	595	
	1997.04-2005.03	MT	L	Hatchback	TU3	C9962A	Drive Shaft	25	22	603	29T
	1997.04-2005.03	MT	R	Hatchback	TU3	C9963A	Drive Shaft	25	22	867	29T
	1997.04-2005.03	MT	L	Hatchback	TU3	C9045	Drive Shaft	21	22	610	
	1997.04-2005.03	MT	R	Hatchback	TU3	C9046	Drive Shaft	21	22	877	
1.5 D (42 kW)	1997.04-2000.09	MT	L	Hatchback	TUD5	C9054	Drive Shaft	21	22	595	
	1997.04-2000.09	MT	L	Hatchback	TUD5	C9962A	Drive Shaft	25	22	603	29T
	1997.04-2000.09	MT	R	Hatchback	TUD5	C9963A	Drive Shaft	25	22	867	29T
	1997.04-2000.09	MT	L	Hatchback	TUD5	C9045	Drive Shaft	21	22	610	
	1997.04-2000.09	MT	R	Hatchback	TUD5	C9046	Drive Shaft	21	22	877	
1.6 16V (80 kW)	2000.09-2005.03	MT		Hatchback	TU5	C105	Outer Joint	25	23	135	
	2000.09-2005.03	MT	L	Hatchback	TU5	C9023	Drive Shaft	25	22	594	
	2000.09-2005.03	MT	L	Hatchback	TU5	C9978A	Drive Shaft	25	22	593	29T
1.6 i (65 kW)	1997.04-2000.09	MT	L	Hatchback	TU5	C9023	Drive Shaft	25	22	594	
	1997.04-2000.09	MT	L	Hatchback	TU5	C9978A	Drive Shaft	25	22	593	29T
	1997.04-2000.09	MT	R	Hatchback	TU5	C9963A	Drive Shaft	25	22	867	29T
1.8 D (43 kW)	1997.04-2000.09	MT	R	Hatchback	XUD7	C9025	Drive Shaft	25	24	868	
	1997.04-2000.09	MT	R	Hatchback	XUD7	C9025B	Drive Shaft	25	24	868	29T
1.8 i (66 kW)	1997.04-2000.09	5MT		Hatchback	XU7	C111A	Outer Joint	25	34	134	29W
	1997.04-2000.09	MT	R	Hatchback	XU7	C9025	Drive Shaft	25	24	868	
	1997.04-2000.09	MT	R	Hatchback	XU7	C9025B	Drive Shaft	25	24	868	29T
1.8 i 16V (81 kW)	1997.04-2000.09	5MT		Hatchback	XU7	C111A	Outer Joint	25	34	134	29W
	1997.04-2000.09	MT	R	Hatchback	XU7	C9025	Drive Shaft	25	24	868	

Model	Year	Gearbox	Side	Body	Engine	Index	Product	Specification			
								A	B	C	ABS
	1997.04-2000.09	MT	R	Hatchback	XU7	C9025B	Drive Shaft	25	24	868	29T
1.8 i Aut. (74 kW)	1997.04-2000.09	AT	R	Hatchback	XU7	C9025	Drive Shaft	25	24	868	
	1997.04-2000.09	AT	R	Hatchback	XU7	C9025B	Drive Shaft	25	24	868	29T
1.8 TD (66 kW)	1997.10-2000.09	5MT		Hatchback		C111A	Outer Joint	25	34	134	29W
1.9 D (50 kW)	1997.04-2000.09			Hatchback	XUD9	C111A	Outer Joint	25	34	134	29W
	1997.04-2000.09	MT	R	Hatchback	XUD9	C9025	Drive Shaft	25	24	868	
	1997.04-2000.09	MT	R	Hatchback	XUD9	C9025B	Drive Shaft	25	24	868	29T
1.9 D (51 kW)	1998.07-2005.03	MT	R	Hatchback	DW8	C9025	Drive Shaft	25	24	868	
	1998.07-2005.03	MT	R	Hatchback	DW8	C9025B	Drive Shaft	25	24	868	29T
1.9 SD (55 kW)	1998.01-2000.09	MT		Hatchback	XUD9	C111A	Outer Joint	25	34	134	29W
	1998.01-2000.09	MT	R	Hatchback	XUD9	C9025	Drive Shaft	25	24	868	
	1998.01-2000.09	MT	R	Hatchback	XUD9	C9025B	Drive Shaft	25	24	868	29T
1.9 TD (66 kW)	1997.04-2000.09	5MT		Hatchback	XUD9	C111A	Outer Joint	25	34	134	29W
	1997.04-2000.09	5MT	L	Hatchback	XUD9	C9795A	Drive Shaft	25	24	585	29T
	1997.04-2000.09	MT	L	Hatchback	XUD9	C9966A	Drive Shaft	25	24	583	29T
	1997.04-2000.09	MT	R	Hatchback	XUD9	C9025	Drive Shaft	25	24	868	
	1997.04-2000.09	MT	R	Hatchback	XUD9	C9025B	Drive Shaft	25	24	868	29T
2.0 16V (100 kW)	2000.09-2005.03	5MT		Hatchback	EW10	C111A	Outer Joint	25	34	134	29W
	2000.09-2005.03	MT		Hatchback	EW10	C105	Outer Joint	25	23	135	
	2000.09-2005.03	5MT	L	Hatchback	EW10	C9795A	Drive Shaft	25	24	585	29T
	2000.09-2005.03	MT	L	Hatchback	EW10	C9966A	Drive Shaft	25	24	583	29T
	2000.09-2005.03	MT	R	Hatchback	EW10	C9025	Drive Shaft	25	24	868	
	2000.09-2005.03	MT	R	Hatchback	EW10	C9025B	Drive Shaft	25	24	868	29T
	2000.09-2005.03		R	Hatchback	EW10	C9964A	Drive Shaft	25	24	875	48T
	2000.09-2005.03		L	Hatchback	EW10	C9965A	Drive Shaft	25	24	586	48T
2.0 16V (120 kW)	1997.04-2000.09		L	Hatchback	XU10	C9795A	Drive Shaft	25	24	585	29T
	1997.04-2000.09	MT	L	Hatchback	XU10	C9966A	Drive Shaft	25	24	583	29T
	1997.04-2000.09	MT	R	Hatchback	XU10	C9025	Drive Shaft	25	24	868	
	1997.04-2000.09	MT	R	Hatchback	XU10	C9025B	Drive Shaft	25	24	868	29T
2.0 16V (97 kW)	1998.07-2000.09			Hatchback	XU10	C111A	Outer Joint	25	34	134	29W
	1998.07-2000.09		L	Hatchback	XU10	C9795A	Drive Shaft	25	24	585	29T
	1998.07-2000.09	MT	L	Hatchback	XU10	C9966A	Drive Shaft	25	24	583	29T
	1998.07-2000.09	MT	R	Hatchback	XU10	C9025	Drive Shaft	25	24	868	
	1998.07-2000.09	MT	R	Hatchback	XU10	C9025B	Drive Shaft	25	24	868	29T
2.0 HDi 90 (66 kW)	1999.02-2005.03			Hatchback	DW10	C111A	Outer Joint	25	34	134	29W
	1999.02-2005.03		L	Hatchback	DW10	C9795A	Drive Shaft	25	24	585	29T
	1999.02-2005.03		R	Hatchback	DW10	C9964A	Drive Shaft	25	24	875	48T
	1999.02-2005.03		L	Hatchback	DW10	C9965A	Drive Shaft	25	24	586	48T
2.0 HDi 109 (80 kW)	2001.05-2005.03	MT/AT		Hatchback	DW10	C111A	Outer Joint	25	34	134	29W
	2001.05-2005.03	MT/AT	L	Hatchback	DW10	C9795A	Drive Shaft	25	24	585	29T
	2001.05-2005.03		R	Hatchback	DW10	C9964A	Drive Shaft	25	24	875	48T
	2001.05-2005.03		L	Hatchback	DW10	C9965A	Drive Shaft	25	24	586	48T
XSARA (N2)											
1.4 i (55 kW)	1997.10-2005.08	MT	L	Estate	TU3	C9054	Drive Shaft	21	22	595	
	1997.10-2005.08	MT	L	Estate	TU3	C9962A	Drive Shaft	25	22	603	29T
	1997.10-2005.08	MT	R	Estate	TU3	C9963A	Drive Shaft	25	22	867	29T
	1997.10-2005.08	MT	L	Estate	TU3	C9045	Drive Shaft	21	22	610	
	1997.10-2005.08	MT	R	Estate	TU3	C9046	Drive Shaft	21	22	877	
1.5 (42 kW)	1997.10-2000.09	MT	L	Estate	TUD5	C9054	Drive Shaft	21	22	595	

Model	Year	Gearbox	Side	Body	Engine	Index	Product	Specification			
								A	B	C	ABS
	1997.10-2000.09	MT	L	Estate	TUD5	C9962A	Drive Shaft	25	22	603	29T
	1997.10-2000.09	MT	R	Estate	TUD5	C9963A	Drive Shaft	25	22	867	29T
	1997.10-2000.09	MT	L	Estate	TUD5	C9045	Drive Shaft	21	22	610	
	1997.10-2000.09	MT	R	Estate	TUD5	C9046	Drive Shaft	21	22	877	
1.6 16V (80 kW)	2000.09-2005.08	MT		Estate	TU5	C105	Outer Joint	25	23	135	
1.6 i (65 kW)	1997.10-2000.09	MT	L	Estate	TU5	C9023	Drive Shaft	25	22	594	
	1997.10-2000.09	MT	L	Estate	TU5	C9978A	Drive Shaft	25	22	593	29T
	1997.10-2000.09	MT	R	Estate	TU5	C9963A	Drive Shaft	25	22	867	29T
1.8 D (43 kW)	1997.10-2000.09	MT	R	Estate	XUD7	C9025	Drive Shaft	25	24	868	
	1997.10-2000.09	MT	R	Estate	XUD7	C9025B	Drive Shaft	25	24	868	29T
1.8 i (66 kW)	1997.10-2000.09	MT		Estate	XU7	C111A	Outer Joint	25	34	134	29W
	1997.10-2000.09	MT	R	Estate	XU7	C9025	Drive Shaft	25	24	868	
	1997.10-2000.09	MT	R	Estate	XU7	C9025B	Drive Shaft	25	24	868	29T
1.8 i 16V (81 kW)	1997.10-2000.09			Estate	XU7	C111A	Outer Joint	25	34	134	29W
	1997.10-2000.09	MT	R	Estate	XU7	C9025	Drive Shaft	25	24	868	
	1997.10-2000.09	MT	R	Estate	XU7	C9025B	Drive Shaft	25	24	868	29T
1.8 i Aut. (74 kW)	1997.10-2000.09	AT	R	Estate	XU7	C9025	Drive Shaft	25	24	868	
	1997.10-2000.09	AT	R	Estate	XU7	C9025B	Drive Shaft	25	24	868	29T
1.9 D (50 kW)	1997.10-2000.09			Estate	XUD9	C111A	Outer Joint	25	34	134	29W
	1997.10-2000.09	MT	R	Estate	XUD9	C9025	Drive Shaft	25	24	868	
	1997.10-2000.09	MT	R	Estate	XUD9	C9025B	Drive Shaft	25	24	868	29T
1.9 D (51 kW)	1998.07-2005.08	MT	R	Estate	DW8	C9025	Drive Shaft	25	24	868	
	1998.07-2005.08	MT	R	Estate	DW8	C9025B	Drive Shaft	25	24	868	29T
1.9 D (55 kW)	1998.01-2000.09	MT		Estate	XUD9	C111A	Outer Joint	25	34	134	29W
	1998.01-2000.09	MT	R	Estate	XUD9	C9025	Drive Shaft	25	24	868	
	1998.01-2000.09	MT	R	Estate	XUD9	C9025B	Drive Shaft	25	24	868	29T
1.9 TD (66 kW)	1997.10-2000.09			Estate	XUD9	C111A	Outer Joint	25	34	134	29W
	1997.10-2000.09		L	Estate	XUD9	C9795A	Drive Shaft	25	24	585	29T
	1997.10-2000.09	MT	L	Estate	XUD9	C9966A	Drive Shaft	25	24	583	29T
	1997.10-2000.09	MT	R	Estate	XUD9	C9025	Drive Shaft	25	24	868	
	1997.10-2000.09	MT	R	Estate	XUD9	C9025B	Drive Shaft	25	24	868	29T
2.0 16V (100 kW)	2000.09-2005.08			Estate	EW10	C111A	Outer Joint	25	34	134	29W
	2000.09-2005.08	MT		Estate	EW10	C105	Outer Joint	25	23	135	
	2000.09-2005.08		L	Estate	EW10	C9795A	Drive Shaft	25	24	585	29T
	2000.09-2005.08	MT	L	Estate	EW10	C9966A	Drive Shaft	25	24	583	29T
	2000.09-2005.08	MT	R	Estate	EW10	C9025	Drive Shaft	25	24	868	
	2000.09-2005.08	MT	R	Estate	EW10	C9025B	Drive Shaft	25	24	868	29T
	2000.09-2005.08		R	Estate	EW10	C9964A	Drive Shaft	25	24	875	48T
	2000.09-2005.08		L	Estate	EW10	C9965A	Drive Shaft	25	24	586	48T
2.0 16V (97 kW)	1998.07-2000.09			Estate	XU10	C111A	Outer Joint	25	34	134	29W
	1998.07-2000.09		L	Estate	XU10	C9795A	Drive Shaft	25	24	585	29T
	1998.07-2000.09	MT	L	Estate	XU10	C9966A	Drive Shaft	25	24	583	29T
	1998.07-2000.09	MT	R	Estate	XU10	C9025	Drive Shaft	25	24	868	
	1998.07-2000.09	MT	R	Estate	XU10	C9025B	Drive Shaft	25	24	868	29T
2.0 HDi 90 (66 kW)	1999.02-2005.08			Estate	DW10	C111A	Outer Joint	25	34	134	29W
	1999.02-2005.08		L	Estate	DW10	C9795A	Drive Shaft	25	24	585	29T
	1999.02-2005.08		R	Estate	DW10	C9964A	Drive Shaft	25	24	875	48T
	1999.02-2005.08		L	Estate	DW10	C9965A	Drive Shaft	25	24	586	48T
2.0 HDi 109 (80 kW)	2001.05-2005.08	MT/AT		Estate	DW10	C111A	Outer Joint	25	34	134	29W

Model	Year	Gearbox	Side	Body	Engine	Index	Product	Specification				
								A	B	C	ABS	
	2001.05-2005.08	MT/AT	L	Estate	DW10	C9795A	Drive Shaft	25	24	585	29T	
	2001.05-2005.08		R	Estate	DW10	C9964A	Drive Shaft	25	24	875	48T	
	2001.05-2005.08		L	Estate	DW10	C9965A	Drive Shaft	25	24	586	48T	
XSARA PICASSO												
1.6 HDi	2004.02-	MT/AT			DV6	C927A	Outer Joint	25	34	133	48T	
XSARA PICASSO (N68)												
1.6 (65 kW)	1999.12-	MT	R	MPV	TU5	C9025B	Drive Shaft	25	24	868	29T	
1.6 (67 kW)	2002.06-	MT	R	MPV		C9025B	Drive Shaft	25	24	868	29W	
1.6 (70 kW)	1999.12-	MT	R	MPV	TU5	C9025B	Drive Shaft	25	24	868	29T	
	1999.12-		R	MPV	TU5	C9964A	Drive Shaft	25	24	875	48T	
	1999.12-		L	MPV	TU5	C9965A	Drive Shaft	25	24	586	48T	
1.6 16V (80 kW)	2005.09-			MPV	TU5	C113A	Outer Joint	25	34	134	48W	
	2005.09-		R	MPV	TU5	C9964A	Drive Shaft	25	24	875	48T	
	2005.09-		L	MPV	TU5	C9965A	Drive Shaft	25	24	586	48T	
1.6 HDi (66 kW)	2005.09-			MPV	DV6	C113A	Outer Joint	25	34	134	48W	
	2005.09-		R	MPV	DV6	C9964A	Drive Shaft	25	24	875	48T	
	2005.09-		L	MPV	DV6	C9965A	Drive Shaft	25	24	586	48T	
1.6 HDi (80 kW)	2004.05-			MPV	DV6	C113A	Outer Joint	25	34	134	48W	
	2004.05-		R	MPV	DV6	C9964A	Drive Shaft	25	24	875	48T	
	2004.05-		L	MPV	DV6	C9965A	Drive Shaft	25	24	586	48T	
1.8 16V (85 kW)	2000.02-	MT	R	MPV	EW7	C9025B	Drive Shaft	25	24	868	29T	
	2000.02-		R	MPV	EW7	C9964A	Drive Shaft	25	24	875	48T	
	2000.02-		L	MPV	EW7	C9965A	Drive Shaft	25	24	586	48T	
2.0 16V (100 kW)	2003.01-			MPV	EW10	C111A	Outer Joint	25	34	134	29W	
	2003.01-		L	MPV	EW10	C9795A	Drive Shaft	25	24	585	29T	
	2003.01-	MT	L	MPV	EW10	C9966A	Drive Shaft	25	24	583	29T	
	2003.01-	MT	R	MPV	EW10	C9025B	Drive Shaft	25	24	868	29T	
	2003.01-		R	MPV	EW10	C9964A	Drive Shaft	25	24	875	48T	
2.0 HDi (66 kW)	2003.01-		L	MPV	EW10	C9965A	Drive Shaft	25	24	586	48T	
	1999.12-			MPV	DW10	C111A	Outer Joint	25	34	134	29W	
	1999.12-		L	MPV	DW10	C9795A	Drive Shaft	25	24	585	29T	
	1999.12-	MT	L	MPV	DW10	C9966A	Drive Shaft	25	24	583	29T	
	1999.12-	MT	R	MPV	DW10	C9025B	Drive Shaft	25	24	868	29T	
	1999.12-		R	MPV	DW10	C9964A	Drive Shaft	25	24	875	48T	
ZX (N2)	1999.12-		L	MPV	DW10	C9965A	Drive Shaft	25	24	586	48T	
	ZX (N2)											
	1.1 (44 kW)	1991.03-1997.06	MT	L	Hatchback	TU1	C9054	Drive Shaft	21	22	595	
		1991.03-1997.06	MT	R	Hatchback	TU1	C9047	Drive Shaft	21	22	855.5	
	1.4 (55 kW)	1991.03-1997.06	MT	L	Hatchback	TU3	C9054	Drive Shaft	21	22	595	
		1991.03-1997.06	MT	R	Hatchback	TU3	C9047	Drive Shaft	21	22	855.5	
1.4 i (55 kW)	1991.03-1997.06	MT	L	Hatchback	TU3	C9054	Drive Shaft	21	22	595		
	1991.03-1997.06	MT	R	Hatchback	TU3	C9047	Drive Shaft	21	22	855.5		
	1993.10-1997.10	MT	L	Estate	TU3	C9054	Drive Shaft	21	22	595		
	1993.10-1997.10	MT	R	Estate	TU3	C9047	Drive Shaft	21	22	855.5		
1.6 i (65 kW)	1991.03-1997.06	MT		Hatchback	XU5	C105	Outer Joint	25	23	135		
	1991.03-1997.06	MT	L	Hatchback	XU5	C9026	Drive Shaft	25	24	593		
	1991.03-1997.06	MT	L	Hatchback	XU5	C9026B	Drive Shaft	25	24	593	29T	
	1991.03-1997.06	MT	R	Hatchback	XU5	C9025	Drive Shaft	25	24	868		
	1991.03-1997.06	MT	R	Hatchback	XU5	C9025B	Drive Shaft	25	24	868	29T	

Model	Year	Gearbox	Side	Body	Engine	Index	Product	Specification			
								A	B	C	ABS
	1993.10-1997.10	MT		Estate	XU5	C105	Outer Joint	25	23	135	
	1993.10-1997.10	MT	L	Estate	XU5	C9026	Drive Shaft	25	24	593	
	1993.10-1997.10	MT	L	Estate	XU5	C9026B	Drive Shaft	25	24	593	29T
	1993.10-1997.10	MT	R	Estate	XU5	C9025	Drive Shaft	25	24	868	
	1993.10-1997.10	MT	R	Estate	XU5	C9025B	Drive Shaft	25	24	868	29T
1.8 D (44 kW)	1993.10-1997.10	MT	L	Estate	XUD7	C9026	Drive Shaft	25	24	593	
	1993.10-1997.10	MT	L	Estate	XUD7	C9026B	Drive Shaft	25	24	593	29T
	1993.10-1997.10	MT	R	Estate	XUD7	C9025	Drive Shaft	25	24	868	
	1993.10-1997.10	MT	R	Estate	XUD7	C9025B	Drive Shaft	25	24	868	29T
1.6 i (74 kW)	1992.07-1997.06	MT		Hatchback	XU7	C105	Outer Joint	25	23	135	
	1992.07-1997.06	MT	L	Hatchback	XU7	C9026	Drive Shaft	25	24	593	
	1992.07-1997.06	MT	L	Hatchback	XU7	C9026B	Drive Shaft	25	24	593	29T
	1992.07-1997.06	MT	R	Hatchback	XU7	C9025	Drive Shaft	25	24	868	
	1992.07-1997.06	MT	R	Hatchback	XU7	C9025B	Drive Shaft	25	24	868	29T
	1993.10-1997.10	MT		Estate	XU7	C105	Outer Joint	25	23	135	
	1993.10-1997.10	MT	L	Estate	XU7	C9026	Drive Shaft	25	24	593	
	1993.10-1997.10	MT	L	Estate	XU7	C9026B	Drive Shaft	25	24	593	29T
	1993.10-1997.10	MT	R	Estate	XU7	C9025	Drive Shaft	25	24	868	
	1993.10-1997.10	MT	R	Estate	XU7	C9025B	Drive Shaft	25	24	868	29T
1.9 D (47 kW)	1991.03-1997.06	MT		Hatchback	XUD9	C105	Outer Joint	25	23	135	
	1991.03-1997.06	MT	L	Hatchback	XUD9	C9026	Drive Shaft	25	24	593	
	1991.03-1997.06	MT	L	Hatchback	XUD9	C9026B	Drive Shaft	25	24	593	29T
	1991.03-1997.06	MT	R	Hatchback	XUD9	C9025	Drive Shaft	25	24	868	
	1991.03-1997.06	MT	R	Hatchback	XUD9	C9025B	Drive Shaft	25	24	868	29T
	1993.10-1997.10	MT		Estate	XUD9	C105	Outer Joint	25	23	135	
	1993.10-1997.10	MT	L	Estate	XUD9	C9026	Drive Shaft	25	24	593	
	1993.10-1997.10	MT	L	Estate	XUD9	C9026B	Drive Shaft	25	24	593	29T
	1993.10-1997.10	MT	R	Estate	XUD9	C9025	Drive Shaft	25	24	868	
	1993.10-1997.10	MT	R	Estate	XUD9	C9025B	Drive Shaft	25	24	868	29T
1.9 D (50 kW)	1993.07-1997.06	MT		Hatchback	XUD9	C105	Outer Joint	25	23	135	
	1993.07-1997.06	MT	L	Hatchback	XUD9	C9026	Drive Shaft	25	24	593	
	1993.07-1997.06	MT	L	Hatchback	XUD9	C9026B	Drive Shaft	25	24	593	29T
	1993.07-1997.06	MT	R	Hatchback	XUD9	C9025	Drive Shaft	25	24	868	
	1993.07-1997.06	MT	R	Hatchback	XUD9	C9025B	Drive Shaft	25	24	868	29T
	1994.06-1997.10	MT		Estate	XUD9	C105	Outer Joint	25	23	135	
	1994.06-1997.10	MT	L	Estate	XUD9	C9026	Drive Shaft	25	24	593	
	1994.06-1997.10	MT	L	Estate	XUD9	C9026B	Drive Shaft	25	24	593	29T
	1994.06-1997.10	MT	R	Estate	XUD9	C9025	Drive Shaft	25	24	868	
	1994.06-1997.10	MT	R	Estate	XUD9	C9025B	Drive Shaft	25	24	868	29T
1.9 i (88 kW)	1991.03-1997.06	MT		Hatchback	XU9	C105	Outer Joint	25	23	135	
	1991.03-1997.06	MT	L	Hatchback	XU9	C9026	Drive Shaft	25	24	593	
	1991.03-1997.06	MT	L	Hatchback	XU9	C9026B	Drive Shaft	25	24	593	29T
	1991.03-1997.06	MT	R	Hatchback	XU9	C9025	Drive Shaft	25	24	868	
	1991.03-1997.06	MT	R	Hatchback	XU9	C9025B	Drive Shaft	25	24	868	29T
1.9 TD (66 kW)	1992.07-1997.06	MT		Hatchback	XUD9	C105	Outer Joint	25	23	135	
	1992.07-1997.06		L	Hatchback	XUD9	C9795A	Drive Shaft	25	24	585	29T
	1993.10-1997.10	MT		Estate	XUD9	C105	Outer Joint	25	23	135	
	1993.10-1997.10		L	Estate	XUD9	C9795A	Drive Shaft	25	24	585	29T
2.0 i 16V (110 kW)	1994.06-1997.06	MT		Hatchback	XU10	C105	Outer Joint	25	23	135	

Model	Year	Gearbox	Side	Body	Engine	Index	Product	Specification			
								A	B	C	ABS
	1994.06-1997.06		L	Hatchback	XU10	C9795A	Drive Shaft	25	24	585	29T
2.0 i 16V (112 kW)	1992.07-1994.10	MT		Hatchback	XU10	C105	Outer Joint	25	23	135	
	1992.07-1994.10		L	Hatchback	XU10	C9795A	Drive Shaft	25	24	585	29T
2.0 i 16V (120 kW)	1998.05-1997.06	MT		Hatchback	XU10	C105	Outer Joint	25	23	135	
	1996.05-1997.06		L	Hatchback	XU10	C9795A	Drive Shaft	25	24	585	29T
DACIA											
LOGAN (LS_)											
1.4 (55 kW)	2004.09-	MT	L	Saloon	K7J	R9725	Drive Shaft	21	29,95	681	
	2004.09-	MT	R	Saloon	K7J	R9724	Drive Shaft	21	23	763	
1.5 DCi (50 kW)	2006.01-			Saloon	K9K	R964	Outer Joint	23	30	145	
	2006.01-		L	Saloon	K9K	R9739	Drive Shaft	23	26	649	
	2006.01-		R	Saloon	K9K	R9740	Drive Shaft	23	26	897	
1.5 DCi (63 kW)	2007.09-		L	Saloon	K9K	R9739	Drive Shaft	23	26	649	
	2007.09-		R	Saloon	K9K	R9740	Drive Shaft	23	26	897	
1.6 (64 kW)	2004.09-	MT	L	Saloon	K7M	R9725	Drive Shaft	21	29,95	681	
	2004.09-	MT	R	Saloon	K7M	R9724	Drive Shaft	21	23	763	
1.6 16V (77 kW)	2006.02-			Saloon	K4M	R964	Outer Joint	23	30	145	
	2006.02-		L	Saloon	K4M	R9739	Drive Shaft	23	26	649	
	2006.02-		R	Saloon	K4M	R9740	Drive Shaft	23	26	897	
LOGAN (US_)											
1.5 DCi (50 kW)	2008.03-			Pickup	K9K	R964	Outer Joint	23	30	145	
1.6 (64 kW)	2008.03-			Pickup	K7M	R964	Outer Joint	23	30	145	
LOGAN EXPRESS (FS_)											
1.5 DCi (50 kW)	2009.03-			Box	K9K	R964	Outer Joint	23	30	145	
1.6 (64 kW)	2009.03-			Box	K7M	R964	Outer Joint	23	30	145	
LOGAN MCV (KS_)											
1.4 (55 kW)	2007.02-		L	Estate	K7J	R9739	Drive Shaft	23	26	649	
	2007.02-	MT	L	Estate	K7J	R9725	Drive Shaft	21	29,95	681	
	2007.02-		R	Estate	K7J	R9740	Drive Shaft	23	26	897	
	2007.02-	MT	R	Estate	K7J	R9724	Drive Shaft	21	23	763	
1.5 DCi (50 kW)	2007.02-			Estate	K9K	R964	Outer Joint	23	30	145	
	2007.02-		L	Estate	K9K	R9739	Drive Shaft	23	26	649	
	2007.02-		R	Estate	K9K	R9740	Drive Shaft	23	26	897	
1.5 DCi (63 kW)	2007.09-		L	Estate	K9K	R9739	Drive Shaft	23	26	649	
	2007.09-		R	Estate	K9K	R9740	Drive Shaft	23	26	897	
1.6 (64 kW)	2007.02-		L	Estate	K7M	R9739	Drive Shaft	23	26	649	
	2007.02-	MT	L	Estate	K7M	R9725	Drive Shaft	21	29,95	681	
	2007.02-		R	Estate	K7M	R9740	Drive Shaft	23	26	897	
	2007.02-	MT	R	Estate	K7M	R9724	Drive Shaft	21	23	763	
1.6 16V (77 kW)	2007.02-			Estate	K4M	R964	Outer Joint	23	30	145	
	2007.02-		L	Estate	K4M	R9739	Drive Shaft	23	26	649	
	2007.02-		R	Estate	K4M	R9740	Drive Shaft	23	26	897	
SANDERO											
1.2 16V (55 kW)	2008.11-		L	Hatchback	D4F	R9725	Drive Shaft	21	29,95	681	
	2008.11-		R	Hatchback	D4F	R9724	Drive Shaft	21	23	763	
1.4 (55 kW)	2008.06-		L	Hatchback	K7J	R9725	Drive Shaft	21	29,95	681	
	2008.06-		R	Hatchback	K7J	R9724	Drive Shaft	21	23	763	
1.6 (64 kW)	2008.06-		L	Hatchback	K7M	R9725	Drive Shaft	21	29,95	681	
	2008.06-		R	Hatchback	K7M	R9724	Drive Shaft	21	23	763	

Model	Year	Gearbox	Side	Body	Engine	Index	Product	Specification				
								A	B	C	ABS	
DS												
DS3												
1.6 HDi (68 kW)	2009.11-	MT		Hatchback	DV6	C934	Outer Joint	25	34	134		
1.6 HDi (69 kW)	2013.01-	MT		Hatchback	DV6	C934	Outer Joint	25	34	134		
1.6 HDi (82 kW)	2009.11-	MT		Hatchback	DV6	C934	Outer Joint	25	34	134		
	2009.11-		L	Hatchback	DV6		C9998	Drive Shaft	25	24	626	
1.6 HDi (84 kW)	2012.08-			Hatchback	DV6	C934	Outer Joint	25	34	134		
	2012.08-		L	Hatchback	DV6		C9998	Drive Shaft	25	24	626	
1.6 HDi (85 kW)	2013.10-	MT	L	Hatchback	DV6	C9998	Drive Shaft	25	24	626		
1.6 HDi (88 kW)	2013.10-	MT	L	Hatchback	DV6	C9998	Drive Shaft	25	24	626		
1.6 BlueHDi 100 (73 kW)	2014.07-		L	Hatchback	DV6	C9062	Drive Shaft	25	24	645		
	2014.07-		R	Hatchback	DV6		C9063	Drive Shaft	25	24	860	
1.6 Racing (149 kW)	2011.02-		L	Hatchback	EP6	C9998	Drive Shaft	25	24	626		
	2011.02-			Hatchback	EP6		C934	Outer Joint	25	34	134	
	2014.03-	MT	L	Hatchback	EP6		C9998	Drive Shaft	25	24	626	
1.6 Racing (152 kW)	2011.02-		L	Hatchback	EP6	C9998	Drive Shaft	25	24	626		
	2011.02-			Hatchback	EP6		C934	Outer Joint	25	34	134	
1.6 THP (110 kW)	2010.01-		L	Hatchback	EP6	C9998	Drive Shaft	25	24	626		
	2013.01-	MT	L	Hatchback	EP6		C9998	Drive Shaft	25	24	626	
1.6 THP (115 kW)	2010.04-		L	Hatchback	EP6	C9998	Drive Shaft	25	24	626		
	2010.04-	MT		Hatchback	EP6		C934	Outer Joint	25	34	134	
	2013.01-	MT		Hatchback	EP6		C934	Outer Joint	25	34	134	
	2013.01-		L	Hatchback	EP6		C9998	Drive Shaft	25	24	626	
DS3 Cabrio												
1.6 BlueHDi 100 (73 kW)	2014.07-		L	Convertible	DV6	C9062	Drive Shaft	25	24	645		
	2014.07-		R	Convertible	DV6		C9063	Drive Shaft	25	24	860	
DS4												
1.6 VTi 120 (88 kW)	2011.04-		L	Hatchback	EP6	C9062	Drive Shaft	25	24	645		
	2011.04-	6AT		Hatchback	EP6		C934	Outer Joint	25	34	134	
1.6 THP (115 kW)	2011.04-	MT/6MT		Hatchback	EP6	C934	Outer Joint	25	34	134		
	2011.04-		L	Hatchback	EP6		C9998	Drive Shaft	25	24	626	
	2011.04-		R	Hatchback	EP6		C9999	Drive Shaft	25	24	940	
1.6 HDi 90 (68 kW)	2011.05-		L	Hatchback	DV6	C9062	Drive Shaft	25	24	645		
1.6 HDi (81 kW)	2011.04-		L	Hatchback	DV6	C9998	Drive Shaft	25	24	626		
	2011.04-		R	Hatchback	DV6		C9999	Drive Shaft	25	24	940	
1.6 HDi (82 kW)	2011.04-		L	Hatchback	DV6	C9998	Drive Shaft	25	24	626		
	2011.04-		R	Hatchback	DV6		C9999	Drive Shaft	25	24	940	
1.6 HDi (84 kW)	2012.08-	MT	L	Hatchback	DV6	C9998	Drive Shaft	25	24	626		
	2012.08-	MT	R	Hatchback	DV6		C9999	Drive Shaft	25	24	940	
DS5												
1.6 HDi (82 kW)	2011.11-			Hatchback	EP6	C934	Outer Joint	25	34	134		
1.6 THP (115 kW)	2011.11-	MT		Hatchback	EP6	C934	Outer Joint	25	34	134		
1.6 THP (147 kW)	2011.11-			Hatchback	EP6	C934	Outer Joint	25	34	134		
PEUGEOT												
106 I (1A,1C)												
1.0 (33 kW)	1991.09-1996.04	MT	L	Hatchback	TU9	C9005	Drive Shaft	21	22	618		
	1991.09-1996.04	MT	L	Hatchback	TU9	C9051	Drive Shaft	21	22	614		
	1991.09-1996.04	MT	R	Hatchback	TU9	C9006	Drive Shaft	21	22	800		
	1991.09-1996.04	MT	R	Hatchback	TU9	C9050	Drive Shaft	21	22	798		

Model	Year	Gearbox	Side	Body	Engine	Index	Product	Specification			
								A	B	C	ABS
1.0 (37 kW)	1991.09-1996.04	MT	L	Hatchback	TU9	C9005	Drive Shaft	21	22	618	
	1991.09-1996.04	MT	R	Hatchback	TU9	C9006	Drive Shaft	21	22	800	
1.1 (44 kW)	1991.09-1996.04	MT	L	Hatchback	TU1	C9005	Drive Shaft	21	22	618	
	1991.09-1996.04	MT	L	Hatchback	TU1	C9051	Drive Shaft	21	22	614	
	1991.09-1996.04	MT	R	Hatchback	TU1	C9006	Drive Shaft	21	22	800	
	1991.09-1996.04	MT	R	Hatchback	TU1	C9050	Drive Shaft	21	22	798	
1.4 (55 kW)	1991.09-1996.04	MT	L	Hatchback	TU3	C9051	Drive Shaft	21	22	614	
	1991.09-1996.04	MT	R	Hatchback	TU3	C9050	Drive Shaft	21	22	798	
1.4 D (37 kW)	1992.09-1996.04	MT	L	Hatchback	TUD3	C9051	Drive Shaft	21	22	614	
	1992.09-1996.04	MT	R	Hatchback	TUD3	C9050	Drive Shaft	21	22	798	
106 II (1)											
1.0 i (33 kW)	1996.05-	MT	L	Hatchback	TU9	C9005	Drive Shaft	21	22	618	
	1996.05-	MT	R	Hatchback	TU9	C9006	Drive Shaft	21	22	800	
	1996.05-	MT	L	Hatchback	TU9	C9057A	Drive Shaft	21	22	624	48T
	1996.05-	MT	R	Hatchback	TU9	C9056A	Drive Shaft	21	22	807	48T
1.0 i (37 kW)	1997.01-	MT	L	Hatchback	TU9	C9005	Drive Shaft	21	22	618	
	1997.01-	MT	R	Hatchback	TU9	C9006	Drive Shaft	21	22	800	
	1997.01-	MT	L	Hatchback	TU9	C9057A	Drive Shaft	21	22	624	48T
	1997.01-	MT	R	Hatchback	TU9	C9056A	Drive Shaft	21	22	807	48T
1.1 i (40 kW)	1997.01-	MT	L	Hatchback	TU1	C9005	Drive Shaft	21	22	618	
	1997.01-	MT	R	Hatchback	TU1	C9006	Drive Shaft	21	22	800	
	1997.01-	MT	L	Hatchback	TU1	C9057A	Drive Shaft	21	22	624	48T
	1997.01-	MT	R	Hatchback	TU1	C9056A	Drive Shaft	21	22	807	48T
1.1 i (44 kW)	1996.05-	MT	L	Hatchback	TU1	C9005	Drive Shaft	21	22	618	
	1996.05-	MT	R	Hatchback	TU1	C9006	Drive Shaft	21	22	800	
	1996.05-	MT	L	Hatchback	TU1	C9057A	Drive Shaft	21	22	624	48T
	1996.05-	MT	R	Hatchback	TU1	C9056A	Drive Shaft	21	22	807	48T
1.4 i (55 kW)	1996.05-	MT	L	Hatchback	TU3	C9051	Drive Shaft	21	22	614	
	1996.05-	MT	R	Hatchback	TU3	C9050	Drive Shaft	21	22	798	
	1996.05-	MT	L	Hatchback	TU3	C9057A	Drive Shaft	21	22	624	48T
	1996.05-	MT	R	Hatchback	TU3	C9056A	Drive Shaft	21	22	807	48T
1.5 D (40 kW)	1996.05-	MT	L	Hatchback	TUD5	C9057A	Drive Shaft	21	22	624	48T
	1996.05-	MT	R	Hatchback	TUD5	C9056A	Drive Shaft	21	22	807	48T
1.5 D (42 kW)	2000.10-	MT	L	Hatchback	TUD5	C9051	Drive Shaft	21	22	614	
	2000.10-	MT	L	Hatchback	TUD5	C9057A	Drive Shaft	21	22	624	48T
	2000.10-	MT	R	Hatchback	TUD5	C9056A	Drive Shaft	21	22	807	48T
107											
1.0 (50 kW)	2005.06-	MT	L	Hatchback	1KR-FE	C9059	Drive Shaft	24	23	649	
	2005.06-	MT	R	Hatchback	1KR-FE	C9058	Drive Shaft	24	23	839	
1.4 HDi (40 kW)	2005.06-	MT	L	Hatchback	DV4TD	C9060	Drive Shaft	24	23	593	
	2005.06-			Hatchback	DV4TD	C935	Outer Joint	24	20	137	
1007 (KM_)											
1.4 16V (65 kW)	2005.10-			Hatchback	ET3	C109	Outer Joint	21	22	141	
	2005.10-			Hatchback	ET3	C110	Outer Joint	21	28	143	
1.6 16V (80 Kw)	2005.04-			Hatchback	TU5	C110	Outer Joint	21	28	143	
205											
1.7 Diesel (44 kW)	1994.03-	MT	L	Box	XUD7	C9044	Drive Shaft	21	24	567	
	1994.03-	MT	R	Box	XUD7	C9035D	Drive Shaft	21	24	845	
205 I (741 A/C)											

Model	Year	Gearbox	Side	Body	Engine	Index	Product	Specification			
								A	B	C	ABS
1.6 (53 kW)	1987.03-1987.10	AT	L	Hatchback	XU5	C9044	Drive Shaft	21	24	567	
	1987.03-1987.10	AT	R	Hatchback	XU5	C9035D	Drive Shaft	21	24	845	
1.6 (55 kW)	1986.08-1987.10	AT	L	Hatchback	XU5	C9044	Drive Shaft	21	24	567	
	1986.08-1987.10	AT	R	Hatchback	XU5	C9035D	Drive Shaft	21	24	845	
1.7 Diesel (44 kW)	1983.08-1987.10	MT	L	Hatchback	XUD7	C9044	Drive Shaft	21	24	567	
	1983.08-1987.10	MT	R	Hatchback	XUD7	C9035D	Drive Shaft	21	24	845	
1.9 GTi (75 kW)	1987.03-1987.10	MT		Hatchback	XU9	C105	Outer Joint	25	23	135	
1.9 GTi (94 kW)	1986.10-1987.10	MT		Hatchback	XU9	C105	Outer Joint	25	23	135	
205 I (741B,20D)											
1.1 CJ (44 kW)	1989.10-1994.12	MT	L	Convertible	TU1	C9934	Drive Shaft	21	22	576	
	1989.10-1994.12	MT	L	Convertible	TU1	C9052	Drive Shaft	21	22	572	
	1989.10-1994.12	MT	R	Convertible	TU1	C9053	Drive Shaft	21	22	832.5	
1.4 CJ (44 kW)	1988.03-1989.05	MT	L	Convertible	XY7	C9052	Drive Shaft	21	22	572	
	1988.03-1989.05	MT	R	Convertible	XY7	C9053	Drive Shaft	21	22	832.5	
1.4 CJ (49 kW)	1989.03-1994.12	MT	L	Convertible	TU3	C9052	Drive Shaft	21	22	572	
	1989.03-1994.12	MT	R	Convertible	TU3	C9053	Drive Shaft	21	22	832.5	
1.4 CJ (55 kW)	1991.05-1994.12	MT	L	Convertible	TU3	C9052	Drive Shaft	21	22	572	
	1991.05-1994.12	MT	R	Convertible	TU3	C9053	Drive Shaft	21	22	832.5	
1.4 CJ Cat (44 kW)	1989.01-1993.09	MT	L	Convertible	TU3	C9052	Drive Shaft	21	22	572	
	1989.01-1993.09	MT	R	Convertible	TU3	C9053	Drive Shaft	21	22	832.5	
1.4 CT (58 kW)	1986.04-1988.12	MT	L	Convertible	XY8	C9052	Drive Shaft	21	22	572	
	1986.04-1988.12	MT	R	Convertible	XY8	C9053	Drive Shaft	21	22	832.5	
1.6 CJ (65 kW)	1992.08-1994.12	MT	L	Convertible	XU5	C9044	Drive Shaft	21	24	567	
	1992.08-1994.12	MT	R	Convertible	XU5	C9035D	Drive Shaft	21	24	845	
205 II (20A/C)											
1.0 (33 kW)	1987.10-1998.09	MT	L	Hatchback	TU9	C9934	Drive Shaft	21	22	576	
	1987.10-1998.09	MT	L	Hatchback	TU9	C9052	Drive Shaft	21	22	572	
	1987.10-1998.09	MT	R	Hatchback	TU9	C9053	Drive Shaft	21	22	832.5	
1.1 (36 kW)	1987.10-1990.10	MT	L	Hatchback	XW7	C9934	Drive Shaft	21	22	576	
	1987.10-1990.10	MT	L	Hatchback	XW7	C9052	Drive Shaft	21	22	572	
	1987.10-1990.10	MT	R	Hatchback	XW7	C9053	Drive Shaft	21	22	832.5	
1.1 (40 kW)	1987.10-1990.10	MT	L	Hatchback	TU1	C9934	Drive Shaft	21	22	576	
	1987.10-1990.10	MT	L	Hatchback	TU1	C9052	Drive Shaft	21	22	572	
	1987.10-1990.10	MT	R	Hatchback	TU1	C9053	Drive Shaft	21	22	832.5	
1.1 (44 kW)	1989.07-1998.09	MT	L	Hatchback	TU1	C9934	Drive Shaft	21	22	576	
	1989.07-1998.09	MT	L	Hatchback	TU1	C9052	Drive Shaft	21	22	572	
	1989.07-1998.09	MT	R	Hatchback	TU1	C9053	Drive Shaft	21	22	832.5	
1.4 (44 kW)	1987.10-1989.05	MT	L	Hatchback	XY7	C9052	Drive Shaft	21	22	572	
	1987.10-1989.05	MT	R	Hatchback	XY7	C9053	Drive Shaft	21	22	832.5	
1.4 (49 kW)	1987.10-1990.10	MT	L	Hatchback	TU3	C9052	Drive Shaft	21	22	572	
	1987.10-1990.10	MT	R	Hatchback	TU3	C9053	Drive Shaft	21	22	832.5	
1.4 (55 kW)	1988.07-1998.09	MT	L	Hatchback	TU3	C9052	Drive Shaft	21	22	572	
	1988.07-1998.09	MT	R	Hatchback	TU3	C9053	Drive Shaft	21	22	832.5	
1.4 (62 kW)	1987.06-1989.12	MT	L	Hatchback	TU3	C9052	Drive Shaft	21	22	572	
	1987.06-1989.12	MT	R	Hatchback	TU3	C9053	Drive Shaft	21	22	832.5	
1.4 Cat (44 kW)	1987.08-1993.09	MT	L	Hatchback	TU3	C9052	Drive Shaft	21	22	572	
	1987.08-1993.09	MT	R	Hatchback	TU3	C9053	Drive Shaft	21	22	832.5	
1.6 (53 kW)	1987.10-1998.09	AT	L	Hatchback	XU5	C9044	Drive Shaft	21	24	567	
	1987.10-1998.09	AT	R	Hatchback	XU5	C9035D	Drive Shaft	21	24	845	

Model	Year	Gearbox	Side	Body	Engine	Index	Product	Specification			
								A	B	C	ABS
1.6 (55 kW)	1987.10-1998.09	MT	L	Hatchback	XU5	C9044	Drive Shaft	21	24	567	
	1987.10-1998.09	MT	R	Hatchback	XU5	C9035D	Drive Shaft	21	24	845	
1.6 Aut. (65 kW)	1990.05-1998.09	AT	L	Hatchback	XU5	C9044	Drive Shaft	21	24	567	
	1990.05-1998.09	AT	R	Hatchback	XU5	C9035D	Drive Shaft	21	24	845	
1.7 Diesel (44 kW)	1987.07-1998.09	MT	L	Hatchback	XUD7	C9044	Drive Shaft	21	24	567	
	1987.07-1998.09	MT	R	Hatchback	XUD7	C9035D	Drive Shaft	21	24	845	
1.9 Diesel (47 kW)	1987.10-1998.09	MT/AT	L	Hatchback	XUD9	C9044	Drive Shaft	21	24	567	
	1987.10-1998.09	MT/AT	R	Hatchback	XUD9	C9035D	Drive Shaft	21	24	845	
1.9 GTi (75 kW)	1987.10-1989.05	MT		Hatchback	XU9	C105	Outer Joint	25	23	135	
1.9 GTi (88 kW)	1987.10-1994.10	MT		Hatchback	XU9	C105	Outer Joint	25	23	135	
	1987.10-1994.10	MT		Hatchback	XU9	C105A	Outer Joint	25	23	135	90T
1.9 GTi (94 kW)	1987.10-1998.09	MT		Hatchback	XU9	C105	Outer Joint	25	23	135	
	1987.10-1998.09	MT		Hatchback	XU9	C105A	Outer Joint	25	23	135	90T
1.9 GTi Cat (75 kW)	1987.10-1994.07	MT		Hatchback	XU9	C105	Outer Joint	25	23	135	
	1987.10-1994.07	MT		Hatchback	XU9	C105A	Outer Joint	25	23	135	90T
206											
1.4 (55 kW)	2007.03-	MT		Saloon	TU3	C912A	Outer Joint	21	22	141	48T
1.9 D	1998.09-2001.11	MT	L			C9031A	Drive Shaft	21	24	611.5	48T
	1998.09-2001.11	MT	R			C9032A	Drive Shaft	21	24	900	48T
2.0 16V	1999.06-	MT				C927A	Outer Joint	25	34	133	48T
2.0 HDi	1999.06-	MT				C927A	Outer Joint	25	34	133	48T
206 (2A/C)											
1.1 i (44 kW)	1998.09-	MT		Hatchback	TU1	C912A	Outer Joint	21	22	141	48T
	1998.09-	MT		Hatchback	TU1	C913A	Outer Joint	21	21	140	48T
	1998.09-	MT	L	Hatchback	TU1	C9036A	Drive Shaft	21	22	610	48T
	1998.09-	MT	R	Hatchback	TU1	C9008A	Drive Shaft	21	22	886	48T
	1998.09-	MT	L	Hatchback	TU1	C9045	Drive Shaft	21	22	610	
1.4 i (55 kW)	1998.09-	MT		Hatchback	TU3	C912A	Outer Joint	21	22	141	48T
	1998.09-	MT		Hatchback	TU3	C913A	Outer Joint	21	21	140	48T
	1998.09-	MT	L	Hatchback	TU3	C9036A	Drive Shaft	21	22	610	48T
	1998.09-	MT	R	Hatchback	TU3	C9008A	Drive Shaft	21	22	886	48T
	1998.09-	MT	L	Hatchback	TU3	C9045	Drive Shaft	21	22	610	
1.4 16V (65 kW)	2003.10-	MT		Hatchback	ET3	C912A	Outer Joint	21	22	141	48T
	2003.10-	MT		Hatchback	ET3	C913A	Outer Joint	21	21	140	48T
	2003.10-	MT	L	Hatchback	ET3	C9045	Drive Shaft	21	22	610	
1.4 HDi Eco 70 (50 kW)	2001.09-	MT		Hatchback	DV4	C912A	Outer Joint	21	22	141	48T
	2001.09-	MT	L	Hatchback	DV4	C9980A	Drive Shaft	21	22	604.5	48T
	2001.09-	MT	R	Hatchback	DV4	C9008A	Drive Shaft	21	22	886	48T
1.6 16V (80 kW)	2000.12-	MT	L	Hatchback	TU5	C9977A	Drive Shaft	25	22	601	48T
	2000.12-	MT	R	Hatchback	TU5	C9976A	Drive Shaft	25	22	880	48T
1.6 HDi 110 (80 kW)	2004.05-		R	Hatchback	DV6	C9961A	Drive Shaft	25	24	888	48T
1.6 i (65 kW)	1998.09-2000.12	MT		Hatchback	TU5	C912A	Outer Joint	21	22	141	48T
	1998.09-2000.12	MT	L	Hatchback	TU5	C9980A	Drive Shaft	21	22	604.5	48T
	1998.09-2000.12	MT	R	Hatchback	TU5	C9008A	Drive Shaft	21	22	886	48T
1.9 D (51 kW)	1998.09-2001.11	MT	L	Hatchback	DW8	C9974A	Drive Shaft	21	24	602	48T
2.0 HDi 90 (66 kW)	1999.12-	MT	L	Hatchback	DW10	C9823A	Drive Shaft	25	24	592	48T
	1999.12-	MT	R	Hatchback	DW10	C9961A	Drive Shaft	25	24	888	48T
2.0 RC (130 kW)	2003.07-		R	Hatchback	EW10	C9961A	Drive Shaft	25	24	888	48T
2.0 S16 (100 kW)	2000.10-	MT	L	Hatchback	EW10	C9823A	Drive Shaft	25	24	592	48T

Model	Year	Gearbox	Side	Body	Engine	Index	Product	Specification			
								A	B	C	ABS
	2000.10-	MT	R	Hatchback	EW10	C9961A	Drive Shaft	25	24	888	48T
2.0 S16 (99 kW)	1999.04-2000.10	MT	L	Hatchback	EW10	C9823A	Drive Shaft	25	24	592	48T
	1999.04-2000.10	MT	R	Hatchback	EW10	C9961A	Drive Shaft	25	24	888	48T
206 CC (2D)											
1.6 16V (80kW)	2000.09-	MT	L	Convertible	TU5	C9977A	Drive Shaft	25	22	601	48T
	2000.09-	MT	R	Convertible	TU5	C9976A	Drive Shaft	25	22	880	48T
1.6 HDi 110 (80 kW)	2005.04-		R	Convertible	DV6	C9961A	Drive Shaft	25	24	888	48T
2.0 S16 (100 kW)	2000.09-	MT	L	Convertible	EW10	C9823A	Drive Shaft	25	24	592	48T
	2000.09-	MT	R	Convertible	EW10	C9961A	Drive Shaft	25	24	888	48T
206 SW (2E/K)											
1.1 (44 kW)	2002.07-	MT		Estate	TU1	C912A	Outer Joint	21	22	141	48T
	2002.07-	MT		Estate	TU1	C913A	Outer Joint	21	21	140	48T
	2002.07-		L	Estate	TU1	C9036A	Drive Shaft	21	22	610	48T
	2002.07-		R	Estate	TU1	C9008A	Drive Shaft	21	22	886	48T
	2002.07-		L	Estate	TU1	C9045	Drive Shaft	21	22	610	
1.4 (55 kW)	2002.07-	MT		Estate	TU3	C912A	Outer Joint	21	22	141	48T
	2002.07-	MT		Estate	TU3	C913A	Outer Joint	21	21	140	48T
	2002.07-		L	Estate	TU3	C9036A	Drive Shaft	21	22	610	48T
	2002.07-		R	Estate	TU3	C9008A	Drive Shaft	21	22	886	48T
	2002.07-		L	Estate	TU3	C9045	Drive Shaft	21	22	610	
1.4 16V (65 kW)	2003.10-	MT		Estate	ET3	C912A	Outer Joint	21	22	141	48T
	2003.10-	MT		Estate	ET3	C913A	Outer Joint	21	21	140	48T
	2003.10-	MT	L	Estate	ET3	C9045	Drive Shaft	21	22	610	
1.4 HDi (50 kW)	2002.07-	MT		Estate	DV4	C912A	Outer Joint	21	22	141	48T
	2002.07-	MT	L	Estate	DV4	C9980A	Drive Shaft	21	22	604.5	48T
	2002.07-	MT	R	Estate	DV4	C9008A	Drive Shaft	21	22	886	48T
1.6 16V (80 kW)	2002.07-	MT	L	Estate	TU5	C9977A	Drive Shaft	25	22	601	48T
	2002.07-	MT	R	Estate	TU5	C9976A	Drive Shaft	25	22	880	48T
1.6 HDi 110 (80 kW)	2004.05-		R	Estate	DV6	C9961A	Drive Shaft	25	24	888	48T
2.0 16V (100 kW)	2002.07-	MT	L	Estate	EW10	C9823A	Drive Shaft	25	24	592	48T
	2002.07-	MT	R	Estate	EW10	C9961A	Drive Shaft	25	24	888	48T
2.0 HDi (66 kW)	2002.07-	MT	L	Estate	DW10	C9823A	Drive Shaft	25	24	592	48T
	2002.07-	MT	R	Estate	DW10	C9961A	Drive Shaft	25	24	888	48T
207											
1.6 HDi	2006.05-	MT			DV6	C927A	Outer Joint	25	34	133	48T
1.6 T (110 kW)	2006.05-	MT			EP6DT	C927A	Outer Joint	25	34	133	48T
207 (WA,WC)											
1.4 (53 kW)	2006.02-			Hatchback	TU3	C109	Outer Joint	21	22	141	
	2006.02-		L	Hatchback	TU3	C9065	Drive Shaft	21	22	655	
	2006.02-		R	Hatchback	TU3	C9066	Drive Shaft	21	22	858	
1.4 16V (65 kW)	2006.02-			Hatchback	ET3	C109	Outer Joint	21	22	141	
	2006.02-		L	Hatchback	ET3	C9065	Drive Shaft	21	22	655	
	2006.02-		R	Hatchback	ET3	C9066	Drive Shaft	21	22	858	
1.4 HDi (50 kW)	2006.02-			Hatchback	DV4	C102	Outer Joint	25	22	134	
1.6 16V (80 kW)	2006.02-			Hatchback	TU5	C102	Outer Joint	25	22	134	
1.6 16V VTi (88 kW)	2007.02-			Hatchback	EP6C/EP6	C102	Outer Joint	25	22	134	
1.6 16V RC (128 kW)	2007.02-			Hatchback	EP6DTS	C113A	Outer Joint	25	34	134	48W
	2007.02-		L	Hatchback	EP6DTS	C9062	Drive Shaft	25	24	645	
	2007.02-		R	Hatchback	EP6DTS	C9063	Drive Shaft	25	24	860	

Model	Year	Gearbox	Side	Body	Engine	Index	Product	Specification			
								A	B	C	ABS
1.6 16V Turbo (110kW)	2006.02-			Hatchback	EP6DT	C113A	Outer Joint	25	34	134	48W
	2006.02-		L	Hatchback	EP6DT	C9062	Drive Shaft	25	24	645	
	2006.02-		R	Hatchback	EP6DT	C9063	Drive Shaft	25	24	860	
1.6 16V Turbo (115kW)	2009.10-		L	Hatchback	EP6DT	C9062	Drive Shaft	25	24	645	
	2009.10-		R	Hatchback	EP6DT	C9063	Drive Shaft	25	24	860	
	2009.10-			Hatchback	EP6DT	C934	Outer Joint	25	34	134	
1.6 HDi (66 kW)	2006.02-			Hatchback	DV6	C113A	Outer Joint	25	34	134	48W
	2006.02-		L	Hatchback	DV6	C9062	Drive Shaft	25	24	645	
	2006.02-		R	Hatchback	DV6	C9063	Drive Shaft	25	24	860	
1.6 HDi (68 kW)	2009.11-			Hatchback	DV6	C113A	Outer Joint	25	34	134	48W
	2009.11-		L	Hatchback	DV6	C9062	Drive Shaft	25	24	645	
	2009.11-		R	Hatchback	DV6	C9063	Drive Shaft	25	24	860	
1.6 HDi (80 kW)	2006.02-			Hatchback	DV6	C113A	Outer Joint	25	34	134	48W
	2006.02-	MT	L	Hatchback	DV6	C9067	Drive Shaft	25	24	648	
	2006.02-	MT	R	Hatchback	DV6	C9068	Drive Shaft	25	24	936	
	2006.02-		L	Hatchback	DV6	C9062	Drive Shaft	25	24	645	
	2006.02-		R	Hatchback	DV6	C9063	Drive Shaft	25	24	860	
1.6 HDi (82 kW)	2009.08-	6MT		Hatchback	DV6	C934	Outer Joint	25	34	134	
	2009.08-		L	Hatchback	DV6	C9998	Drive Shaft	25	24	626	
207 CC (WD)											
1.6 16V (88 kW)	2007.02-			Convertible	EP6	C102	Outer Joint	25	22	134	
	2007.02-		L	Convertible	EP6	C9998	Drive Shaft	25	24	626	
1.6 16V Turbo (110kW)	2007.02-			Convertible	EP6DT	C113A	Outer Joint	25	34	134	48W
	2007.02-		L	Convertible	EP6DT	C9062	Drive Shaft	25	24	645	
	2007.02-		R	Convertible	EP6DT	C9063	Drive Shaft	25	24	860	
1.6 16V Turbo (115kW)	2009.10-		L	Convertible	EP6DT	C9062	Drive Shaft	25	24	645	
	2009.10-		R	Convertible	EP6DT	C9063	Drive Shaft	25	24	860	
	2009.10-	6MT		Convertible	EP6DT	C934	Outer Joint	25	34	134	
1.6 HDi (80 kW)	2007.02-			Convertible	DV6	C113A	Outer Joint	25	34	134	48W
	2007.02-		L	Convertible	DV6	C9062	Drive Shaft	25	24	645	
	2007.02-		R	Convertible	DV6	C9063	Drive Shaft	25	24	860	
1.6 HDi (82 kW)	2009.08-	6MT		Convertible	DV6	C934	Outer Joint	25	34	134	
	2009.08-		L	Convertible	DV6	C9998	Drive Shaft	25	24	626	
207 SW (WK)											
1.4 (54 kW)	2007.06-			Estate	TU3	C109	Outer Joint	21	22	141	
	2007.06-			Estate	TU3	C9065	Drive Shaft	21	22	655	
	2007.06-			Estate	TU3	C9066	Drive Shaft	21	22	858	
1.6 16V (88 kW)	2007.06-			Estate	EP6	C102	Outer Joint	25	22	134	
1.6 16V RC (128 kW)	2007.02-			Estate	EP6DTS	C113A	Outer Joint	25	34	134	48W
	2007.02-		L	Estate	EP6DTS	C9062	Drive Shaft	25	24	645	
	2007.02-		R	Estate	EP6DTS	C9063	Drive Shaft	25	24	860	
1.6 HDi (66 kW)	2007.06-			Estate	DV6	C113A	Outer Joint	25	34	134	48W
	2007.06-		L	Estate	DV6	C9062	Drive Shaft	25	24	645	
	2007.06-		R	Estate	DV6	C9063	Drive Shaft	25	24	860	
1.6 HDi (68 kW)	2009.11-			Estate	DV6	C113A	Outer Joint	25	34	134	48W
	2009.11-		L	Estate	DV6	C9062	Drive Shaft	25	24	645	
	2009.11-		R	Estate	DV6	C9063	Drive Shaft	25	24	860	
1.6 HDi (80 kW)	2007.06-			Estate	DV6	C113A	Outer Joint	25	34	134	48W
	2007.06-		L	Estate	DV6	C9062	Drive Shaft	25	24	645	

Model	Year	Gearbox	Side	Body	Engine	Index	Product	Specification			
								A	B	C	ABS
	2007.06-		R	Estate	DV6	C9063	Drive Shaft	25	24	860	
1.6 HDi (82 kW)	2009.08-	6MT		Estate	DV6	C934	Outer Joint	25	34	134	
	2009.08-		L	Estate	DV6	C9998	Drive Shaft	25	24	626	
208											
1.6 (115 kW)	2012.03-			Hatchback	EP6	C934	Outer Joint	25	34	134	
	2012.03-		L	Hatchback	EP6	C9998	Drive Shaft	25	24	626	
1.6 GTi (147 kW)	2012.08-		L	Hatchback	EP6	C9998	Drive Shaft	25	24	626	
1.6 HDi (68 kW)	2012.03-	6MT		Hatchback	DV6	C134	Outer Joint	25	34	134	
1.6 HDi (84 kW)	2012.03-			Hatchback	DV6	C134	Outer Joint	25	34	134	
2008											
1.6 HDi (68 kW)	2013.03-		L	Crossover	DV6	C9062	Drive Shaft	25	24	645	
1.6 HDi (68 kW)	2013.03-	6MT	L	Crossover	DV6	C9998	Drive Shaft	25	24	626	
1.6 HDi (84 kW)	2013.03-		L	Crossover	DV6	C9998	Drive Shaft	25	24	626	
1.6 VTi (88 kW)	2013.03-		L	Crossover	EP6	C9062	Drive Shaft	25	24	645	
306 (7A,7C,N3,N5)											
1.1 (44 kW)	1993.05-2001.05	MT	L	Hatchback	TU1	C9033	Drive Shaft	21	22	614	
	1993.05-2001.05	MT	R	Hatchback	TU1	C9064	Drive Shaft	21	22	877.5	
1.4 (55 kW)	1993.05-2001.05	MT	L	Hatchback	TU3	C9033	Drive Shaft	21	22	614	
	1993.05-2001.05	MT	R	Hatchback	TU3	C9064	Drive Shaft	21	22	877.5	
1.6 (65 kW)	1993.05-2000.10	MT	L	Hatchback	TU5	C9926	Drive Shaft	25	22	607	
	1993.05-2000.10	MT	R	Hatchback	TU5	C9933	Drive Shaft	25	22	879.5	
	1993.05-2000.10	MT	R	Hatchback	TU5	C9933A	Drive Shaft	25	22	875	29T
1.6 (72 kW)	2000.10-2001.05	MT	R	Hatchback	NFT	C9933A	Drive Shaft	25	22	875	29T
1.8 (74 kW)	1993.05-2001.05	MT/AT		Hatchback	XU7	C105	Outer Joint	25	23	135	
	1993.05-2001.05	MT/AT	L	Hatchback	XU7	C9929A	Drive Shaft	25	24	603.5	29T
	1993.05-2001.05	MT/AT	R	Hatchback	XU7	C9948A	Drive Shaft	25	24	881	29T
1.8 16V (81 kW)	1997.03-2001.05	MT/AT	L	Hatchback	XU7	C9929A	Drive Shaft	25	24	603.5	29T
	1997.03-2001.05	MT/AT	R	Hatchback	XU7	C9948A	Drive Shaft	25	24	881	29T
1.9 D (47 kW)	1993.05-2001.05	MT/AT		Hatchback	XUD9	C105	Outer Joint	25	23	135	
	1993.05-2001.05	MT/AT	L	Hatchback	XUD9	C9929A	Drive Shaft	25	24	603.5	29T
	1993.05-2001.05	MT	R	Hatchback	XUD9	C9049	Drive Shaft	25	24	880	
	1993.05-2001.05	MT/AT	R	Hatchback	XUD9	C9948A	Drive Shaft	25	24	881	29T
1.9 D (50 kW)	1994.06-2001.05	MT/AT		Hatchback	XUD9	C105	Outer Joint	25	23	135	
	1994.06-2001.05	MT/AT	L	Hatchback	XUD9	C9929A	Drive Shaft	25	24	603.5	29T
	1994.06-2001.05	MT	R	Hatchback	XUD9	C9049	Drive Shaft	25	24	880	
	1994.06-2001.05	MT/AT	R	Hatchback	XUD9	C9948A	Drive Shaft	25	24	881	29T
1.9 D (51 kW)	1998.09-2001.05	MT/AT		Hatchback	DW8	C105	Outer Joint	25	23	135	
	1998.09-2001.05	MT/AT	L	Hatchback	DW8	C9929A	Drive Shaft	25	24	603.5	29T
	1998.09-2001.05	MT	R	Hatchback	DW8	C9049	Drive Shaft	25	24	880	
	1998.09-2001.05	MT/AT	R	Hatchback	DW8	C9948A	Drive Shaft	25	24	881	29T
1.9 D (55 kW)	1998.03-2001.05	MT/AT		Hatchback	XUD9	C105	Outer Joint	25	23	135	
	1998.03-2001.05	MT	R	Hatchback	XUD9	C9049	Drive Shaft	25	24	880	
1.9 DT (66 kW)	1993.05-2001.05	MT		Hatchback	XUD9	C105	Outer Joint	25	23	135	
	1993.05-2001.05		L	Hatchback	XUD9	C9929A	Drive Shaft	25	24	603.5	29T
	1993.05-2001.05		R	Hatchback	XUD9	C9948A	Drive Shaft	25	24	881	29T
	1993.05-2001.05	MT	R	Hatchback	XUD9	C9049	Drive Shaft	25	24	880	
2.0 HDi 90 (66 kW)	1999.06-2001.05	MT	L	Hatchback	DW10	C9929A	Drive Shaft	25	24	603.5	29T
	1999.06-2001.05	MT	R	Hatchback	DW10	C9948A	Drive Shaft	25	24	881	29T
	1999.06-2001.05	MT	R	Hatchback	DW10	C9049	Drive Shaft	25	24	880	

Model	Year	Gearbox	Side	Body	Engine	Index	Product	Specification			
								A	B	C	ABS
2.0 S16 (110 kW)	1994.06-2001.05	MT/AT		Hatchback	XU10	C105	Outer Joint	25	23	135	
	1994.06-2001.05	MT/AT	L	Hatchback	XU10	C9929A	Drive Shaft	25	24	603.5	29T
	1994.06-2001.05	MT	R	Hatchback	XU10	C9049	Drive Shaft	25	24	880	
	1994.06-2001.05	MT/AT	R	Hatchback	XU10	C9948A	Drive Shaft	25	24	881	29T
2.0 S16 (112 kW)	1993.05-2001.05	MT/AT		Hatchback	XU10	C105	Outer Joint	25	23	135	
	1993.05-2001.05	MT/AT	L	Hatchback	XU10	C9929A	Drive Shaft	25	24	603.5	29T
	1993.05-2001.05	MT	R	Hatchback	XU10	C9049	Drive Shaft	25	24	880	
	1993.05-2001.05	MT/AT	R	Hatchback	XU10	C9948A	Drive Shaft	25	24	881	29T
2.0 XSi (89 kW)	1993.05-2001.05	MT/AT		Hatchback	XU10	C105	Outer Joint	25	23	135	
	1993.05-2001.05	MT	R	Hatchback	XU10	C9049	Drive Shaft	25	24	880	
306 (7B,N3)											
1.1 (44 kW)	1993-		L			C9926A	Drive Shaft	25	22	605	29T
1.4 SL (55 kW)	1993-		L			C9926A	Drive Shaft	25	22	605	29T
306 (7B,N3,N5)											
1.1 (44 kW)	1994.06-2001.05	MT	L	Saloon	TU1	C9033	Drive Shaft	21	22	614	
	1994.06-2001.05	MT	R	Saloon	TU1	C9064	Drive Shaft	21	22	877.5	
1.4 SL (55 kW)	1994.06-2001.05	MT	L	Saloon	TU3	C9033	Drive Shaft	21	22	614	
	1994.06-2001.05	MT	R	Saloon	TU3	C9064	Drive Shaft	21	22	877.5	
1.6 (72 kW)	2000.10-2001.05	MT	R	Saloon	NFT	C9933A	Drive Shaft	25	22	875	29T
1.6 SR (65 kW)	1994.06-2000.10	MT	L	Saloon	TU5	C9926	Drive Shaft	25	22	607	
	1994.06-2000.10	MT	R	Saloon	TU5	C9933	Drive Shaft	25	22	879.5	
	1994.06-2000.10	MT	R	Saloon	TU5	C9933A	Drive Shaft	25	22	875	29T
1.8 16V (81 kW)	1997.03-2001.05	MT/AT	L	Saloon	XU7	C9929A	Drive Shaft	25	24	603.5	29T
	1997.03-2001.05	MT/AT	R	Saloon	XU7	C9948A	Drive Shaft	25	24	881	29T
1.8 ST (74 kW)	1994.06-2001.05	MT/AT		Saloon	XU7	C105	Outer Joint	25	23	135	
	1994.06-2001.05	MT/AT	L	Saloon	XU7	C9929A	Drive Shaft	25	24	603.5	29T
	1994.06-2001.05	MT	R	Saloon	XU7	C9049	Drive Shaft	25	24	880	
	1994.06-2001.05	MT/AT	R	Saloon	XU7	C9948A	Drive Shaft	25	24	881	29T
1.9 D (51 kW)	1998.09-2001.05	MT/AT		Saloon	DW8	C105	Outer Joint	25	23	135	
	1998.09-2001.05	MT/AT	L	Saloon	DW8	C9929A	Drive Shaft	25	24	603.5	29T
	1998.09-2001.05	MT	R	Saloon	DW8	C9049	Drive Shaft	25	24	880	
	1998.09-2001.05	MT/AT	R	Saloon	DW8	C9948A	Drive Shaft	25	24	881	29T
1.9 D (55 kW)	1998.03-2001.05	MT/AT		Saloon	XUD9	C105	Outer Joint	25	23	135	
	1998.03-2001.05	MT	R	Saloon	XUD9	C9049	Drive Shaft	25	24	880	
1.9 SLD (47 kW)	1994.06-2001.05	MT/AT		Saloon	XUD9	C105	Outer Joint	25	23	135	
	1994.06-2001.05	MT/AT	L	Saloon	XUD9	C9929A	Drive Shaft	25	24	603.5	29T
	1994.06-2001.05	MT	R	Saloon	XUD9	C9049	Drive Shaft	25	24	880	
	1994.06-2001.05	MT/AT	R	Saloon	XUD9	C9948A	Drive Shaft	25	24	881	29T
1.9 SLD (50 kW)	1994.06-2001.05	MT/AT		Saloon	XUD9	C105	Outer Joint	25	23	135	
	1994.06-2001.05	MT/AT	L	Saloon	XUD9	C9929A	Drive Shaft	25	24	603.5	29T
	1994.06-2001.05	MT	R	Saloon	XUD9	C9049	Drive Shaft	25	24	880	
	1994.06-2001.05	MT/AT	R	Saloon	XUD9	C9948A	Drive Shaft	25	24	881	29T
1.9 SRDT (66 kW)	1994.06-2001.05	MT		Saloon	XUD9	C105	Outer Joint	25	23	135	
	1994.06-2001.05	MT	L	Saloon	XUD9	C9929A	Drive Shaft	25	24	603.5	29T
	1994.06-2001.05	MT	R	Saloon	XUD9	C9948A	Drive Shaft	25	24	881	29T
	1994.06-2001.05	MT	R	Saloon	XUD9	C9049	Drive Shaft	25	24	880	
2.0 HDi 90 (66 kW)	1999.06-2001.05	MT	L	Saloon	DW10	C9929A	Drive Shaft	25	24	603.5	29T
	1999.06-2001.05	MT	R	Saloon	DW10	C9948A	Drive Shaft	25	24	881	29T
	1999.06-2001.05	MT	R	Saloon	DW10	C9049	Drive Shaft	25	24	880	

Model	Year	Gearbox	Side	Body	Engine	Index	Product	Specification			
								A	B	C	ABS
2.0 S16 (110 kW)	1994.06-2001.05	MT/AT		Saloon	XU10	C105	Outer Joint	25	23	135	
	1994.06-2001.05	MT/AT	L	Saloon	XU10	C9929A	Drive Shaft	25	24	603.5	29T
	1994.06-2001.05	MT	R	Saloon	XU10	C9049	Drive Shaft	25	24	880	
	1994.06-2001.05	MT/AT	R	Saloon	XU10	C9948A	Drive Shaft	25	24	881	29T
2.0 S16 (112 kW)	1994.06-2001.05	MT/AT		Saloon	XU10	C105	Outer Joint	25	23	135	
	1994.06-2001.05	MT/AT	L	Saloon	XU10	C9929A	Drive Shaft	25	24	603.5	29T
	1994.06-2001.05	MT	R	Saloon	XU10	C9049	Drive Shaft	25	24	880	
	1994.06-2001.05	MT/AT	R	Saloon	XU10	C9948A	Drive Shaft	25	24	881	29T
2.0 ST (89 kW)	1994.07-2001.05	MT/AT		Saloon	XU10	C105	Outer Joint	25	23	135	
	1994.07-2001.05	MT	R	Saloon	XU10	C9049	Drive Shaft	25	24	880	
306 (7D,N3,N5)											
1.6 (65 kW)	1996.04-2000.10	MT	L	Convertible	TU5	C9926	Drive Shaft	25	22	607	
	1996.04-2000.10	MT	R	Convertible	TU5	C9933	Drive Shaft	25	22	879.5	
	1996.04-2000.10	MT	R	Convertible	TU5	C9933A	Drive Shaft	25	22	875	29T
1.6 (72 kW)	2000.10-2002.04	MT	R	Convertible	NFT	C9933A	Drive Shaft	25	22	875	29T
1.8 (74 kW)	1994.03-2002.04	MT/AT		Convertible	XU7	C105	Outer Joint	25	23	135	
	1994.03-2002.04	MT/AT	L	Convertible	XU7	C9929A	Drive Shaft	25	24	603.5	29T
	1994.03-2002.04	MT	R	Convertible	XU7	C9049	Drive Shaft	25	24	880	
	1994.03-2002.04	MT/AT	R	Convertible	XU7	C9948A	Drive Shaft	25	24	881	29T
1.8 16V (81 kW)	2000.07-2002.04	MT/AT	L	Convertible	XU7	C9929A	Drive Shaft	25	24	603.5	29T
	2000.07-2002.04	MT/AT	R	Convertible	XU7	C9948A	Drive Shaft	25	24	881	29T
2.0 (89 kW)	1994.03-2002.04	MT/AT		Convertible	XU10	C105	Outer Joint	25	23	135	
	1994.03-2002.04	MT	R	Convertible	XU10	C9049	Drive Shaft	25	24	880	
306 (7E,N3,N5)											
1.4 (55 kW)	1997.03-2002.04	MT	L	Estate	TU3	C9033	Drive Shaft	21	22	614	
	1997.03-2002.04	MT	R	Estate	TU3	C9064	Drive Shaft	21	22	877.5	
1.6 (65 kW)	1997.03-2000.10	MT	L	Estate	TU5	C9926	Drive Shaft	25	22	607	
	1997.03-2000.10	MT	R	Estate	TU5	C9933	Drive Shaft	25	22	879.5	
	1997.03-2000.10	MT	R	Estate	TU5	C9933A	Drive Shaft	25	22	875	29T
1.6 (72 kW)	2000.10-2002.04	MT	R	Estate	NFT	C9933A	Drive Shaft	25	22	875	29T
1.8 (74 kW)	1997.03-2002.04	MT/AT		Estate	XU7	C105	Outer Joint	25	23	135	
	1997.03-2002.04	MT/AT	L	Estate	XU7	C9929A	Drive Shaft	25	24	603.5	29T
	1997.03-2002.04	MT	R	Estate	XU7	C9049	Drive Shaft	25	24	880	
	1997.03-2002.04	MT/AT	R	Estate	XU7	C9948A	Drive Shaft	25	24	881	29T
1.8 16V (81 kW)	1997.03-2002.04	MT/AT	L	Estate	XU7	C9929A	Drive Shaft	25	24	603.5	29T
	1997.03-2002.04	MT	R	Estate	XU7	C9049	Drive Shaft	25	24	880	
	1997.03-2002.04	MT/AT	R	Estate	XU7	C9948A	Drive Shaft	25	24	881	29T
1.9 D (50 kW)	1997.03-2002.04	MT/AT		Estate	XUD9	C105	Outer Joint	25	23	135	
	1997.03-2002.04	MT/AT	L	Estate	XUD9	C9929A	Drive Shaft	25	24	603.5	29T
	1997.03-2002.04	MT	R	Estate	XUD9	C9049	Drive Shaft	25	24	880	
	1997.03-2002.04	MT/AT	R	Estate	XUD9	C9948A	Drive Shaft	25	24	881	29T
1.9 D (51 kW)	1998.09-2002.04	MT/AT		Estate	DW8	C105	Outer Joint	25	23	135	
	1998.09-2002.04	MT/AT	L	Estate	DW8	C9929A	Drive Shaft	25	24	603.5	29T
	1998.09-2002.04	MT	R	Estate	DW8	C9049	Drive Shaft	25	24	880	
	1998.09-2002.04	MT/AT	R	Estate	DW8	C9948A	Drive Shaft	25	24	881	29T
1.9 D (55 kW)	1998.03-2002.04	MT/AT		Estate	XUD9	C105	Outer Joint	25	23	135	
	1998.03-2002.04	MT	R	Estate	XUD9	C9049	Drive Shaft	25	24	880	
1.9 TD (66 kW)	1997.02-2002.04	MT		Estate	XUD9	C105	Outer Joint	25	23	135	
	1997.02-2002.04	MT	L	Estate	XUD9	C9929A	Drive Shaft	25	24	603.5	29T

Model	Year	Gearbox	Side	Body	Engine	Index	Product	Specification			
								A	B	C	ABS
	1997.02-2002.04	MT	R	Estate	XUD9	C9948A	Drive Shaft	25	24	881	29T
	1997.02-2002.04	MT	R	Estate	XUD9	C9049	Drive Shaft	25	24	880	
2.0 HDi 90 (66 kW)	1999.06-2002.04	MT	L	Estate	DW10	C9929A	Drive Shaft	25	24	603.5	29T
	1999.06-2002.04	MT	R	Estate	DW10	C9948A	Drive Shaft	25	24	881	29T
	1999.06-2002.04	MT	R	Estate	DW10	C9049	Drive Shaft	25	24	880	
307 (3A/C)											
1.4 (55 kW)	2000.08-			Hatchback	TU3	C102	Outer Joint	25	22	134	
	2000.08-	MT	L	Hatchback	TU3	C9848	Drive Shaft	25	22	633	
	2000.08-	MT	R	Hatchback	TU3	C9849	Drive Shaft	25	22	915	
1.4 HDi (50 kW)	2001.10-			Hatchback	DV4	C112	Outer Joint	25	34	145	
	2001.10-	MT	L	Hatchback	DV4	C9084	Drive Shaft	25	24	630	
	2001.10-	MT	R	Hatchback	DV4	C9844	Drive Shaft	25	24	925	
1.4 16V (65 kW)	2003.11-			Hatchback	ET3	C102	Outer Joint	25	22	134	
	2003.11-	MT	L	Hatchback	ET3	C9848	Drive Shaft	25	22	633	
	2003.11-	MT	R	Hatchback	ET3	C9849	Drive Shaft	25	22	915	
1.6 16V (80 kW)	2000.08-	5MT		Hatchback	TU5	C112	Outer Joint	25	34	145	
	2000.08-	5MT		Hatchback	TU5	C102	Outer Joint	25	22	134	
	2000.08-	MT	L	Hatchback	TU5	C9084	Drive Shaft	25	24	630	
	2000.08-	MT	R	Hatchback	TU5	C9844	Drive Shaft	25	24	925	
	2000.08-	MT	L	Hatchback	TU5	C9848	Drive Shaft	25	22	633	
	2000.08-	MT	R	Hatchback	TU5	C9849	Drive Shaft	25	22	915	
1.6 HDi (66 kW)	2005.04-			Hatchback	DV6	C112	Outer Joint	25	34	145	
	2005.04-		L	Hatchback	DV6	C9845	Drive Shaft	25	24	625	
	2005.04-		R	Hatchback	DV6	C9844	Drive Shaft	25	24	925	
1.6 HDi 110 (80 kW)	2004.02-			Hatchback	DV6	C112	Outer Joint	25	34	145	
	2004.02-	MT	L	Hatchback	DV6	C9845	Drive Shaft	25	24	625	
	2004.02-	MT	R	Hatchback	DV6	C9844	Drive Shaft	25	24	925	
2.0 16V (100 kW)	2000.08-	5MT		Hatchback	EW10	C112	Outer Joint	25	34	145	
	2000.08-	MT	L	Hatchback	EW10	C9084	Drive Shaft	25	24	630	
	2000.08-	MT	R	Hatchback	EW10	C9844	Drive Shaft	25	24	925	
2.0 16V (103 kW)	2005.03-			Hatchback	EW10	C112	Outer Joint	25	34	145	
	2005.03-		L	Hatchback	EW10	C9845	Drive Shaft	25	24	625	
	2005.03-		R	Hatchback	EW10	C9844	Drive Shaft	25	24	925	
2.0 16V (130 kW)	2005.06-			Hatchback	EW10	C112	Outer Joint	25	34	145	
	2005.06-		L	Hatchback	EW10	C9845	Drive Shaft	25	24	625	
	2005.06-		R	Hatchback	EW10	C9844	Drive Shaft	25	24	925	
2.0 HDi 110 (79 kW)	2000.08-	5MT		Hatchback	DW10	C112	Outer Joint	25	34	145	
	2000.08-	MT	L	Hatchback	DW10	C9845	Drive Shaft	25	24	625	
	2000.08-	MT	R	Hatchback	DW10	C9844	Drive Shaft	25	24	925	
2.0 HDi 135 (100 kW)	2003.10-	MT	L	Hatchback	DW10	C9845	Drive Shaft	25	24	625	
	2003.10-	MT	R	Hatchback	DW10	C9844	Drive Shaft	25	24	925	
	2003.10-	6MT	L	Hatchback	DW10	C9847	Drive Shaft	25	37	621	
	2003.10-	6MT	R	Hatchback	DW10	C9846	Drive Shaft	25	37	919	
2.0 HDi 90 (66 kW)	2000.08-	5MT		Hatchback	DW10	C112	Outer Joint	25	34	145	
	2000.08-	MT	L	Hatchback	DW10	C9845	Drive Shaft	25	24	625	
	2000.08-	MT	R	Hatchback	DW10	C9844	Drive Shaft	25	24	925	
307 (3E)											
1.4 (55 kW)	2002.04- 2003.09			Estate	TU3	C102	Outer Joint	25	22	134	
1.4 HDi (50 kW)	2002.03-			Estate	DV4	C112	Outer Joint	25	34	145	

Model	Year	Gearbox	Side	Body	Engine	Index	Product	Specification			
								A	B	C	ABS
	2002.03-	MT	L	Estate	DV4	C9084	Drive Shaft	25	24	630	
	2002.03-	MT	R	Estate	DV4	C9844	Drive Shaft	25	24	925	
1.4 16V (65 kW)	2003.11-			Estate	ET3	C102	Outer Joint	25	22	134	
	2003.11-	MT	L	Estate	ET3	C9848	Drive Shaft	25	22	633	
	2003.11-	MT	R	Estate	ET3	C9849	Drive Shaft	25	22	915	
1.6 16V (80 kW)	2002.03-			Estate	TU5	C112	Outer Joint	25	34	145	
	2002.03-	MT	L	Estate	TU5	C9084	Drive Shaft	25	24	630	
	2002.03-	MT	R	Estate	TU5	C9844	Drive Shaft	25	24	925	
	2002.03-	MT	L	Estate	TU5	C9848	Drive Shaft	25	22	633	
	2002.03-	MT	R	Estate	TU5	C9849	Drive Shaft	25	22	915	
1.6 HDi (66 kW)	2005.04-			Estate	DV6	C112	Outer Joint	25	34	145	
	2005.04-		L	Estate	DV6	C9845	Drive Shaft	25	24	625	
	2005.04-		R	Estate	DV6	C9844	Drive Shaft	25	24	925	
1.6 HDi 110 (80 kW)	2004.02-			Estate	DV6	C112	Outer Joint	25	34	145	
	2004.02-	MT	L	Estate	DV6	C9845	Drive Shaft	25	24	625	
	2004.02-	MT	R	Estate	DV6	C9844	Drive Shaft	25	24	925	
2.0 (100 kW)	2002.03-			Estate	EW10	C112	Outer Joint	25	34	145	
	2002.03-	MT	L	Estate	EW10	C9084	Drive Shaft	25	24	630	
	2002.03-	MT	R	Estate	EW10	C9844	Drive Shaft	25	24	925	
2.0 16V (103 kW)	2005.03-			Estate	EW10	C112	Outer Joint	25	34	145	
	2005.03-		L	Estate	EW10	C9845	Drive Shaft	25	24	625	
	2005.03-		R	Estate	EW10	C9844	Drive Shaft	25	24	925	
2.0 16V (130 kW)	2005.06-			Estate	EW10	C112	Outer Joint	25	34	145	
2.0 HDi 110 (79 kW)	2002.03-			Estate	DW10	C112	Outer Joint	25	34	145	
	2002.03-	MT	L	Estate	DW10	C9845	Drive Shaft	25	24	625	
	2002.03-	MT	R	Estate	DW10	C9844	Drive Shaft	25	24	925	
2.0 HDi 135 (100 kW)	2004.02-	MT	L	Estate	DW10	C9845	Drive Shaft	25	24	625	
	2004.02-	MT	R	Estate	DW10	C9844	Drive Shaft	25	24	925	
	2004.02-	6MT	L	Estate	DW10	C9847	Drive Shaft	25	37	621	
	2004.02-	6MT	R	Estate	DW10	C9846	Drive Shaft	25	37	919	
2.0 HDi 90 (66 kW)	2002.03-			Estate	DW10	C112	Outer Joint	25	34	145	
	2002.03-	MT	L	Estate	DW10	C9845	Drive Shaft	25	24	625	
	2002.03-	MT	R	Estate	DW10	C9844	Drive Shaft	25	24	925	
307 CC (3B)											
1.6 16V (80 kW)	2005.03-	5MT		Convertible	TU5	C112	Outer Joint	25	34	145	
	2005.03-	5MT		Convertible	TU5	C102	Outer Joint	25	22	134	
	2005.03-		L	Convertible	TU5	C9084	Drive Shaft	25	24	630	
	2005.03-		R	Convertible	TU5	C9844	Drive Shaft	25	24	925	
	2005.03-		L	Convertible	TU5	C9848	Drive Shaft	25	22	633	
	2005.03-		R	Convertible	TU5	C9849	Drive Shaft	25	22	915	
1.6 16V (80 kW)	2005.02-	AT		Convertible	TU5	C934	Outer Joint	25	34	134	
2.0 16V (100 kW)	2003.10-			Convertible	EW10	C112	Outer Joint	25	34	145	
	2003.10-	MT	L	Convertible	EW10	C9084	Drive Shaft	25	24	630	
	2003.10-	MT	R	Convertible	EW10	C9844	Drive Shaft	25	24	925	
2.0 16V (103 kW)	2005.03-			Convertible	EW10	C112	Outer Joint	25	34	145	
	2005.03-		L	Convertible	EW10	C9845	Drive Shaft	25	24	625	
	2005.03-		R	Convertible	EW10	C9844	Drive Shaft	25	24	925	
2.0 16V (130 kW)	2003.10-			Convertible	EW10	C112	Outer Joint	25	34	145	
	2003.10-	MT	L	Convertible	EW10	C9084	Drive Shaft	25	24	630	

Model	Year	Gearbox	Side	Body	Engine	Index	Product	Specification			
								A	B	C	ABS
	2003.10-	MT	R	Convertible	EW10	C9844	Drive Shaft	25	24	925	
2.0 HDi 135 (100 kW)	2005.06-	MT	L	Convertible	DW10	C9847	Drive Shaft	25	37	621	
	2005.06-	MT	R	Convertible	DW10	C9846	Drive Shaft	25	37	919	
307 SW (3H)											
1.4 16V (65 kW)	2003.11-			Estate	ET3	C102	Outer Joint	25	22	134	
	2003.11-	MT	L	Estate	ET3	C9848	Drive Shaft	25	22	633	
	2003.11-	MT	R	Estate	ET3	C9849	Drive Shaft	25	22	915	
1.6 16V (80 kW)	2002.03-			Estate	TU5	C112	Outer Joint	25	34	145	
	2002.03-			Estate	TU5	C102	Outer Joint	25	22	134	
	2002.03-	MT	L	Estate	TU5	C9084	Drive Shaft	25	24	630	
	2002.03-	MT	R	Estate	TU5	C9844	Drive Shaft	25	24	925	
	2002.03-	MT	L	Estate	TU5	C9848	Drive Shaft	25	22	633	
	2002.03-	MT	R	Estate	TU5	C9849	Drive Shaft	25	22	915	
1.6 HDi (66 kW)	2006.12-			Estate	DV6	C112	Outer Joint	25	34	145	
	2006.12-		L	Estate	DV6	C9845	Drive Shaft	25	24	625	
	2006.12-		R	Estate	DV6	C9844	Drive Shaft	25	24	925	
1.6 HDi 110 (80 kW)	2004.02-			Estate	DV6	C112	Outer Joint	25	34	145	
	2004.02-	MT	L	Estate	DV6	C9845	Drive Shaft	25	24	625	
	2004.02-	MT	R	Estate	DV6	C9844	Drive Shaft	25	24	925	
2.0 16V (100 kW)	2002.03-			Estate	EW10	C112	Outer Joint	25	34	145	
	2002.03-	MT	L	Estate	EW10	C9084	Drive Shaft	25	24	630	
	2002.03-	MT	R	Estate	EW10	C9844	Drive Shaft	25	24	925	
2.0 16V (103 kW)	2005.03-			Estate	EW10	C112	Outer Joint	25	34	145	
	2005.03-		L	Estate	EW10	C9845	Drive Shaft	25	24	625	
	2005.03-		R	Estate	EW10	C9844	Drive Shaft	25	24	925	
2.0 HDi 110 (79 kW)	2002.03-			Estate	DW10	C112	Outer Joint	25	34	145	
	2002.03-	MT	L	Estate	DW10	C9845	Drive Shaft	25	24	625	
	2002.03-	MT	R	Estate	DW10	C9844	Drive Shaft	25	24	925	
2.0 HDi 135 (100 kW)	2004.02-	MT	L	Estate	DW10	C9845	Drive Shaft	25	24	625	
	2004.02-	MT	R	Estate	DW10	C9844	Drive Shaft	25	24	925	
	2004.02-	6MT	L	Estate	DW10	C9847	Drive Shaft	25	37	621	
	2004.02-	6MT	R	Estate	DW10	C9846	Drive Shaft	25	37	919	
2.0 HDi 90 (66 kW)	2002.03-			Estate	DW10	C112	Outer Joint	25	34	145	
	2002.03-	MT	L	Estate	DW10	C9845	Drive Shaft	25	24	625	
	2002.03-	MT	R	Estate	DW10	C9844	Drive Shaft	25	24	925	
3008											
1.6 VTi (88 kW)	2009.06-			MPV	EP6 / EP6C	C113A	Outer Joint	25	34	134	48W
	2009.06-		L	MPV	EP6 / EP6C	C9062	Drive Shaft	25	24	645	
1.6 VTi (88 kW)	2009.06-	6MT		MPV	EP6	C934	Outer Joint	25	34	134	
1.6 HDi (80 kW)	2009.06-			MPV	DV6	C934	Outer Joint	25	34	134	
	2009.06-	6MT	L	MPV	DV6	C9998	Drive Shaft	25	24	626	
	2009.06-	6MT	R	MPV	DV6	C9999	Drive Shaft	25	24	940	
1.6 HDi (82 kW)	2010.08-			MPV	DV6	C934	Outer Joint	25	34	134	
	2010.08-	6MT	L	MPV	DV6	C9998	Drive Shaft	25	24	626	
	2010.08-	6MT	R	MPV	DV6	C9999	Drive Shaft	25	24	940	
1.6 HDi (84 kW)	2013.03-	MT	L	MPV	DV6	C9998	Drive Shaft	25	24	626	
	2013.03-	MT	R	MPV	DV6	C9999	Drive Shaft	25	24	940	
1.6 THP (110 kW)	2009.06-		L	MPV	EP6	C9998	Drive Shaft	25	24	626	
	2009.06-	6MT		MPV	EP6	C934	Outer Joint	25	34	134	

Model	Year	Gearbox	Side	Body	Engine	Index	Product	Specification			
								A	B	C	ABS
	2009.06-	MT	R	MPV	EP6	C9999	Drive Shaft	25	24	940	
1.6 THP (115 kW)	2009.06-		L	MPV	EP6	C9998	Drive Shaft	25	24	626	
	2009.06-	6MT		MPV	EP6	C934	Outer Joint	25	34	134	
	2009.06-	MT	R	MPV	EP6	C9999	Drive Shaft	25	24	940	
2.0 HDi (110 kW)	2009.06-	MT	L	MPV	DW10	C9998	Drive Shaft	25	24	626	
	2009.06-	6MT	R	MPV	DW10	C9999	Drive Shaft	25	24	940	
2.0 HDi (120 kW)	2009.06-	6MT	L	MPV	DW10	C9998	Drive Shaft	25	24	626	
	2009.06-	6MT	R	MPV	DW10	C9999	Drive Shaft	25	24	940	
308 (4A,4C)											
1.4 16V (70 kW)	2007.09-			Hatchback	EP3	C113A	Outer Joint	25	34	134	48W
	2007.09-		L	Hatchback	EP3	C9062	Drive Shaft	25	24	645	
1.4 16V (72 kW)	2009.12-		L	Hatchback	EP3	C9062	Drive Shaft	25	24	645	
	2009.12-			Hatchback	EP3	C934	Outer Joint	25	34	134	
1.6 16V (88 kW)	2007.09-			Hatchback	EP6	C113A	Outer Joint	25	34	134	48W
	2007.09-		L	Hatchback	EP6	C9062	Drive Shaft	25	24	645	
1.6 16V (103 kW)	2007.09-			Hatchback	EP6	C113A	Outer Joint	25	34	134	48W
1.6 16V (110 kW)	2007.09-			Hatchback	EP6	C113A	Outer Joint	25	34	134	48W
	2007.09-	MT	L	Hatchback	EP6	C9998	Drive Shaft	25	24	626	
	2007.09-	MT	R	Hatchback	EP6	C9999	Drive Shaft	25	24	940	
1.6 16V (115 kW)	2009.10-	MT	L	Hatchback	EP6	C9998	Drive Shaft	25	24	626	
	2009.10-	MT	R	Hatchback	EP6	C9999	Drive Shaft	25	24	940	
	2009.10-	AT		Hatchback	EP6	C934	Outer Joint	25	34	134	
1.6 16V (128 kW)	2008.03-			Hatchback	EP6	C113A	Outer Joint	25	34	134	48W
	2008.03-		L	Hatchback	EP6	C9998	Drive Shaft	25	24	626	
	2008.03-	MT	R	Hatchback	EP6	C9999	Drive Shaft	25	24	940	
1.6 GTi (147 kW)	2010.07-	AT		Hatchback	EP6	C934	Outer Joint	25	34	134	
1.6 HDi (66 kW)	2007.09-			Hatchback	DV6	C113A	Outer Joint	25	34	134	48W
	2007.09-		L	Hatchback	DV6	C9062	Drive Shaft	25	24	645	
1.6 HDi (68 kW)	2009.11-		L	Hatchback	DV6	C9062	Drive Shaft	25	24	645	
	2009.11-	AT		Hatchback	DV6	C934	Outer Joint	25	34	134	
1.6 HDi (80 kW)	2007.09-			Hatchback	DV6	C113A	Outer Joint	25	34	134	48W
	2007.09-		L	Hatchback	DV6	C9998	Drive Shaft	25	24	626	
	2007.09-	MT	R	Hatchback	DV6	C9999	Drive Shaft	25	24	940	
1.6 HDi (82 kW)	2009.12-		L	Hatchback	DV6	C9998	Drive Shaft	25	24	626	
	2009.12-	AT		Hatchback	DV6	C934	Outer Joint	25	34	134	
	2009.12-	MT	R	Hatchback	DV6	C9999	Drive Shaft	25	24	940	
1.6 HDi (84 kW)	2013.03-		L	Hatchback	DV6	C9998	Drive Shaft	25	24	626	
	2013.03-		R	Hatchback	DV6	C9999	Drive Shaft	25	24	940	
2.0 HDi (100 kW)	2007.09-			Hatchback	DW10	C113A	Outer Joint	25	34	134	48W
2.0 HDi (110 kW)	2011.10-	AT		Hatchback	DW10	C934	Outer Joint	25	34	134	
2.0 HDi (120 kW)	2012.04-	AT		Hatchback	DW10	C934	Outer Joint	25	34	134	
308 CC											
1.6 16V (88 kW)	2009.06-			Convertible	EP6	C113A	Outer Joint	25	34	134	48W
	2009.06-		L	Convertible	EP6	C9062	Drive Shaft	25	24	645	
1.6 16V (103 kW)	2009.06-		L	Convertible	EP6	C9998	Drive Shaft	25	24	626	
	2009.06-	MT/6MT		Convertible	EP6	C934	Outer Joint	25	34	134	
	2009.06-	MT	R	Convertible	EP6	C9999	Drive Shaft	25	24	940	
1.6 16V (110 kW)	2009.06-	MT	L	Convertible	EP6	C9998	Drive Shaft	25	24	626	
	2009.06-	MT/6MT		Convertible	EP6	C934	Outer Joint	25	34	134	

Model	Year	Gearbox	Side	Body	Engine	Index	Product	Specification			
								A	B	C	ABS
	2009.06-	MT	R	Convertible	EP6	C9999	Drive Shaft	25	24	940	
1.6 16V (115 kW)	2009.06-	MT	L	Convertible	EP6	C9998	Drive Shaft	25	24	626	
	2009.06-	MT/6MT		Convertible	EP6	C934	Outer Joint	25	34	134	
	2009.06-	MT	R	Convertible	EP6	C9999	Drive Shaft	25	24	940	
1.6 THP (147 kW)	2010.10-	MT/6MT		Convertible	EP6	C934	Outer Joint	25	34	134	
1.6 HDi (82 kW)	2009.06-		L	Convertible	DV6	C9998	Drive Shaft	25	24	626	
	2009.06-	MT	R	Convertible	DV6	C9999	Drive Shaft	25	24	940	
1.6 HDi (84 kW)	2013.03-		L	Convertible	DV6	C9998	Drive Shaft	25	24	626	
	2013.03-		R	Convertible	DV6	C9999	Drive Shaft	25	24	940	
2.0 HDi (100 kW)	2009.04-	MT/6MT		Convertible	DW10	C934	Outer Joint	25	34	134	
2.0 HDi (120 kW)	2009.06-	MT/6MT		Convertible	DW10	C934	Outer Joint	25	34	134	
308 SW											
1.4 16V (70 kW)	2007.09-			Estate	EP3	C113A	Outer Joint	25	34	134	48W
	2007.09-		L	Estate	EP3	C9062	Drive Shaft	25	24	645	
1.4 16V (72 kW)	2009.12-			Estate	EP3	C113A	Outer Joint	25	34	134	48W
	2009.12-		L	Estate	EP3	C9062	Drive Shaft	25	24	645	
1.6 Bioflex (82 kW)	2009.03-			Estate	TU5	C113A	Outer Joint	25	34	134	48W
	2009.03-		L	Estate	TU5	C9998	Drive Shaft	25	24	626	
	2009.03-		R	Estate	TU5	C9999	Drive Shaft	25	24	940	
1.6 16V (88 kW)	2007.09-			Estate	EP6	C113A	Outer Joint	25	34	134	48W
	2007.09-		L	Estate	EP6	C9062	Drive Shaft	25	24	645	
1.6 16V (103 kW)	2007.09-	MT/6MT		Estate	EP6	C934	Outer Joint	25	34	134	
1.6 16V (110 kW)	2007.09-			Estate	EP6	C113A	Outer Joint	25	34	134	48W
	2007.09-		L	Estate	EP6	C9998	Drive Shaft	25	24	626	
	2007.09-	MT	R	Estate	EP6	C9999	Drive Shaft	25	24	940	
1.6 16V (115 kW)	2009.10-	MT	L	Estate	EP6	C9998	Drive Shaft	25	24	626	
	2009.10-	AT		Estate	EP6	C934	Outer Joint	25	34	134	
	2009.10-	MT	R	Estate	EP6	C9999	Drive Shaft	25	24	940	
1.6 16V (128 kW)	2008.03-			Estate	EP6	C113A	Outer Joint	25	34	134	48W
	2008.03-		L	Estate	EP6	C9998	Drive Shaft	25	24	626	
	2008.03-	MT	R	Estate	EP6	C9999	Drive Shaft	25	24	940	
1.6 HDi (66 kW)	2007.09-			Estate	DV6	C113A	Outer Joint	25	34	134	48W
	2007.09-		L	Estate	DV6	C9062	Drive Shaft	25	24	645	
1.6 HDi (68 kW)	2009.11-		L	Estate	DV6	C9062	Drive Shaft	25	24	645	
	2009.11-	AT		Estate	DV6	C934	Outer Joint	25	34	134	
1.6 HDi (80 kW)	2007.09-			Estate	DV6	C113A	Outer Joint	25	34	134	48W
	2007.09-		L	Estate	DV6	C9062	Drive Shaft	25	24	645	
1.6 HDi (82 kW)	2009.12-		L	Estate	DV6	C9062	Drive Shaft	25	24	645	
	2009.12-	AT		Estate	DV6	C934	Outer Joint	25	34	134	
1.6 HDi (84 kW)	2013.03-		L	Estate	DV6	C9062	Drive Shaft	25	24	645	
2.0 HDi (100 kW)	2007.09-			Estate	DW10	C113A	Outer Joint	25	34	134	48W
2.0 HDi (110 kW)	2011.04-	AT		Estate	DW10	C934	Outer Joint	25	34	134	
2.0 HDi (120 kW)	2009.06-	AT		Estate	DW10	C934	Outer Joint	25	34	134	
309 I (10C,10A)											
1.1 (40 kW)	1985.10-1989.07	MT	R	Hatchback	E1	C9099	Drive Shaft	21	24	840	
1.3 (47 kW)	1985.10-1989.07	MT	R	Hatchback	G1A	C9099	Drive Shaft	21	24	840	
1.9 D (47 kW)	1986.06-1989.07	MT	L	Hatchback	XUD9	C9092	Drive Shaft	25	24	579	
	1986.06-1989.07	MT	R	Hatchback	XUD9	C9091	Drive Shaft	25	24	845	
1.9 GTi (88 kW)	1988.07-1989.07	MT		Hatchback	XU9	C105	Outer Joint	25	23	135	

Model	Year	Gearbox	Side	Body	Engine	Index	Product	Specification			
								A	B	C	ABS
	1988.07-1989.07	MT		Hatchback	XU9	C105A	Outer Joint	25	23	135	90T
1.9 GTi (94 kW)	1986.10-1989.07	MT		Hatchback	XU9	C105	Outer Joint	25	23	135	
	1986.10-1989.07	MT		Hatchback	XU9	C105A	Outer Joint	25	23	135	90T
309 II (3C,3A)											
1.1 (44 kW)	1990.08-1993.12	MT	L	Hatchback	TU1	C9094	Drive Shaft	21	22	588	
	1990.08-1993.12	MT	R	Hatchback	TU1	C9095	Drive Shaft	21	22	847.5	
1.4 (49 kW)	1990.07-1993.12	MT	L	Hatchback	TU3	C9094	Drive Shaft	21	22	588	
	1990.07-1993.12	MT	R	Hatchback	TU3	C9095	Drive Shaft	21	22	847.5	
1.4 (55 kW)	1989.07-1993.12	MT	L	Hatchback	TU3	C9094	Drive Shaft	21	22	588	
	1989.07-1993.12	MT	R	Hatchback	TU3	C9095	Drive Shaft	21	22	847.5	
1.6 (65 kW)	1989.07-1993.12	MT	L	Hatchback	XU5	C9092	Drive Shaft	25	24	579	
	1989.07-1993.12	MT	R	Hatchback	XU5	C9091	Drive Shaft	25	24	845	
1.6 (68 kW)	1989.07-1993.12	MT	L	Hatchback	XU5	C9092	Drive Shaft	25	24	579	
	1989.07-1993.12	MT	R	Hatchback	XU5	C9091	Drive Shaft	25	24	845	
1.6 (69 kW)	1989.07-1993.12	MT	L	Hatchback	XU5	C9092	Drive Shaft	25	24	579	
	1989.07-1993.12	MT	R	Hatchback	XU5	C9091	Drive Shaft	25	24	845	
1.8 Diesel (44 kW)	1989.07-1993.12	MT	L	Hatchback	XUD7	C9092	Drive Shaft	25	24	579	
	1989.07-1993.12	MT	R	Hatchback	XUD7	C9091	Drive Shaft	25	24	845	
1.9 Diesel (47 kW)	1989.07-1993.12	MT	L	Hatchback	XUD9	C9092	Drive Shaft	25	24	579	
	1989.07-1993.12	MT	R	Hatchback	XUD9	C9091	Drive Shaft	25	24	845	
1.9 GTi (88 kW)	1989.07-1993.12	MT		Hatchback	XU9	C105A	Outer Joint	25	23	135	90T
1.9 GTi 16V (108 kW)	1990.10-1993.12	MT		Hatchback	XU9	C105A	Outer Joint	25	23	135	90T
405 I (15B)											
1.4 (47 kW)	1987.01-1992.07	MT		Saloon	TU3	C101	Outer Joint	25	22	127	
1.6 (53 kW)	1987.07-1992.12	MT		Saloon	XU5	C101	Outer Joint	25	22	127	
	1987.07-1992.12	MT		Saloon	XU5	C105A	Outer Joint	25	23	135	90T
	1987.07-1992.12	MT	L	Saloon	XU5	C9048	Drive Shaft	25	24	608	
1.6 (55 kW)	1987.07-1988.06	MT		Saloon	XU5	C101	Outer Joint	25	22	127	
	1987.07-1988.06	MT		Saloon	XU5	C105A	Outer Joint	25	23	135	90T
	1987.07-1988.06	MT	L	Saloon	XU5	C9048	Drive Shaft	25	24	608	
1.6 (65 kW)	1987.07-1992.12	MT		Saloon	XU5	C101	Outer Joint	25	22	127	
	1987.07-1992.12	MT		Saloon	XU5	C105A	Outer Joint	25	23	135	90T
	1987.07-1992.12	MT	L	Saloon	XU5	C9048	Drive Shaft	25	24	608	
1.6 (66 kW)	1989.10-1992.12	MT		Saloon	XU5	C101	Outer Joint	25	22	127	
	1989.10-1992.12	MT		Saloon	XU5	C105A	Outer Joint	25	23	135	90T
	1989.10-1992.12	MT	L	Saloon	XU5	C9048	Drive Shaft	25	24	608	
1.6 (69 kW)	1987.01-1992.12	MT		Saloon	XU5	C101	Outer Joint	25	22	127	
	1987.01-1992.12	MT		Saloon	XU5	C105A	Outer Joint	25	23	135	90T
	1987.01-1992.12	MT	L	Saloon	XU5	C9048	Drive Shaft	25	24	608	
1.8 Turbo Diesel (66 kW)	1988.03-1992.12	MT		Saloon	XUD7	C105A	Outer Joint	25	23	135	90T
	1988.03-1992.12	MT/AT		Saloon	XUD7	C105	Outer Joint	25	23	135	
	1988.03-1992.12		R	Saloon	XUD7	C9049	Drive Shaft	25	24	880	
1.9 (70 kW)	1987.07-1992.12	MT		Saloon	XU9	C105A	Outer Joint	25	23	135	90T
	1987.07-1992.12	MT/AT		Saloon	XU9	C101	Outer Joint	25	22	127	
	1987.07-1992.12	MT/AT	L	Saloon	XU9	C9048	Drive Shaft	25	24	608	
1.9 (80 kW)	1988.07-1992.12	MT		Saloon	XU9	C105A	Outer Joint	25	23	135	90T
	1988.07-1992.12	MT/AT		Saloon	XU9	C101	Outer Joint	25	22	127	
	1988.07-1992.12	MT/AT	L	Saloon	XU9	C9048	Drive Shaft	25	24	608	
1.9 (88 kW)	1988.07-1992.12	AT		Saloon	XU9	C101	Outer Joint	25	22	127	

Model	Year	Gearbox	Side	Body	Engine	Index	Product	Specification			
								A	B	C	ABS
	1988.07-1992.12	AT	L	Saloon	XU9	C9048	Drive Shaft	25	24	608	
1.9 Diesel (47 kW)	1988.07-1992.09	MT		Saloon	XUD9	C101	Outer Joint	25	22	127	
	1988.07-1992.09	MT		Saloon	XUD9	C105A	Outer Joint	25	23	135	90T
	1988.07-1992.09	MT	L	Saloon	XUD9	C9048	Drive Shaft	25	24	608	
1.9 Diesel (51 kW)	1988.03-1992.12	MT		Saloon	XUD9	C101	Outer Joint	25	22	127	
	1988.03-1992.12	MT		Saloon	XUD9	C105A	Outer Joint	25	23	135	90T
	1988.03-1992.12	MT	L	Saloon	XUD9	C9048	Drive Shaft	25	24	608	
1.9 Injection (77 kW)	1987.07-1992.12	AT		Saloon	XU9	C101	Outer Joint	25	22	127	
	1987.07-1992.12	MT		Saloon	XU9	C105A	Outer Joint	25	23	135	90T
	1987.07-1992.12	AT	L	Saloon	XU9	C9048	Drive Shaft	25	24	608	
1.9 Sport MI-16 (108 kW)	1988.04-1992.12	MT		Saloon	XU9	C105	Outer Joint	25	23	135	
	1988.04-1992.12		R	Saloon	XU9	C9049	Drive Shaft	25	24	880	
1.9 Sport MI-16 (116 kW)	1987.07-1991.11		R	Saloon	XU9	C9049	Drive Shaft	25	24	880	
405 I (15E)											
1.6 (53 kW)	1988.10-1992.08	MT		Estate	XU5	C101	Outer Joint	25	22	127	
	1988.10-1992.08	MT		Estate	XU5	C105A	Outer Joint	25	23	135	90T
	1988.10-1992.08	MT	L	Estate	XU5	C9048	Drive Shaft	25	24	608	
1.6 (55 kW)	1988.10-1992.08	MT		Estate	XU5	C101	Outer Joint	25	22	127	
	1988.10-1992.08	MT		Estate	XU5	C105A	Outer Joint	25	23	135	90T
	1988.10-1992.08	MT	L	Estate	XU5	C9048	Drive Shaft	25	24	608	
1.6 (65 kW)	1988.10-1992.08	MT		Estate	XU5	C101	Outer Joint	25	22	127	
	1988.10-1992.08	MT		Estate	XU5	C105A	Outer Joint	25	23	135	90T
	1988.10-1992.08	MT	L	Estate	XU5	C9048	Drive Shaft	25	24	608	
1.6 (66 kW)	1988.10-1992.08	MT		Estate	XU5	C101	Outer Joint	25	22	127	
	1988.10-1992.08	MT		Estate	XU5	C105A	Outer Joint	25	23	135	90T
	1988.10-1992.08	MT	L	Estate	XU5	C9048	Drive Shaft	25	24	608	
1.8 TD (66 kW)	1988.10-1992.08	MT		Estate	XUD7	C105A	Outer Joint	25	23	135	90T
	1988.10-1992.08	MT/AT		Estate	XUD7	C105	Outer Joint	25	23	135	
	1988.10-1992.08		R	Estate	XUD7	C9049	Drive Shaft	25	24	880	
1.9 (70 kW)	1988.10-1992.08	MT		Estate	XU9	C105A	Outer Joint	25	23	135	90T
	1988.10-1992.08	MT/AT		Estate	XU9	C101	Outer Joint	25	22	127	
	1988.10-1992.08	MT/AT	L	Estate	XU9	C9048	Drive Shaft	25	24	608	
1.9 (77 kW)	1988.10-1992.08	MT		Estate	XU9	C105A	Outer Joint	25	23	135	90T
	1988.10-1992.08	MT/AT		Estate	XU9	C101	Outer Joint	25	22	127	
	1988.10-1992.08	MT/AT	L	Estate	XU9	C9048	Drive Shaft	25	24	608	
1.9 (80 kW)	1988.10-1992.08	MT		Estate	XU9	C105A	Outer Joint	25	23	135	90T
	1988.10-1992.08	MT/AT		Estate	XU9	C101	Outer Joint	25	22	127	
	1988.10-1992.08	MT/AT	L	Estate	XU9	C9048	Drive Shaft	25	24	608	
1.9 (88 kW)	1988.10-1992.08	AT		Estate	XU9	C101	Outer Joint	25	22	127	
	1988.10-1992.08	AT	L	Estate	XU9	C9048	Drive Shaft	25	24	608	
1.9 D (47 kW)	1988.10-1992.08	MT		Estate	XUD9	C101	Outer Joint	25	22	127	
	1988.10-1992.08	MT		Estate	XUD9	C105A	Outer Joint	25	23	135	90T
	1988.10-1992.08	MT	L	Estate	XUD9	C9048	Drive Shaft	25	24	608	
1.9 D (51 kW)	1988.10-1992.08	MT		Estate	XUD9	C101	Outer Joint	25	22	127	
	1988.10-1992.08	MT		Estate	XUD9	C105A	Outer Joint	25	23	135	90T
	1988.10-1992.08	MT	L	Estate	XUD9	C9048	Drive Shaft	25	24	608	
405 II (4B)											
1.4 (55 kW)	1992.08-1995.10	MT	L	Saloon	TU3	C9926A	Drive Shaft	25	22	605	29T
	1992.08-1995.10	MT		Saloon	TU3	C104	Outer Joint	25	31	127	

Model	Year	Gearbox	Side	Body	Engine	Index	Product	Specification			
								A	B	C	ABS
1.6 (65 kW)	1992.08-1995.10	MT	L	Saloon	XU5	C9048	Drive Shaft	25	24	608	
	1992.08-1995.10	MT		Saloon	XU5	C104	Outer Joint	25	31	127	
1.9 D (47 kW)	1992.08-1995.10	MT	L	Saloon	XUD9	C9048	Drive Shaft	25	24	608	
	1992.08-1995.10	MT	L	Saloon	XUD9	C104	Outer Joint	25	31	127	
1.9 TD (66 kW)	1992.08-1995.10	MT	L	Saloon	XUD9	C9929A	Drive Shaft	25	24	603.5	29T
	1992.08-1995.10	MT	R	Saloon	XUD9	C9948A	Drive Shaft	25	24	881	29T
2.0 (89 kW)	1992.08-1995.10	MT	L	Saloon	XU10	C9929A	Drive Shaft	25	24	603.5	29T
	1992.08-1995.10	MT	R	Saloon	XU10	C9948A	Drive Shaft	25	24	881	29T
2.0 16V (110 kW)	1994.06-1995.10	MT	L	Saloon	XU10	C9929A	Drive Shaft	25	24	603.5	29T
	1994.06-1995.10	MT	R	Saloon	XU10	C9948A	Drive Shaft	25	24	881	29T
2.0 MI-16 (112 kW)	1992.08-1995.10	MT	L	Saloon	XU10	C9929A	Drive Shaft	25	24	603.5	29T
	1992.08-1995.10	MT	R	Saloon	XU10	C9948A	Drive Shaft	25	24	881	29T
405 II (4E)											
1.4 (55 kW)	1992.08-1996.10	MT		Estate	TU3	C104	Outer Joint	25	31	127	
1.6 (65 kW)	1992.08-1996.10	MT	L	Estate	XU5	C9048	Drive Shaft	25	24	608	
	1992.08-1996.10	MT		Estate	XU5	C104	Outer Joint	25	31	127	
1.9 D (47 kW)	1992.08-1996.10	MT	L	Estate	XUD9	C9048	Drive Shaft	25	24	608	
	1992.08-1996.10	MT		Estate	XUD9	C104	Outer Joint	25	31	127	
1.9 D (50 kW)	1994.06-1996.10	MT	L	Estate	XUD9	C9048	Drive Shaft	25	24	608	
1.9 TD (66 kW)	1992.08-1996.10	MT	L	Estate	XUD9	C9929A	Drive Shaft	25	24	603.5	29T
	1992.08-1996.10	MT	R	Estate	XUD9	C9948A	Drive Shaft	25	24	881	29T
2.0 (89 kW)	1992.08-1996.10	MT	L	Estate	XU10	C9929A	Drive Shaft	25	24	603.5	29T
	1992.08-1996.10	MT	R	Estate	XU10	C9948A	Drive Shaft	25	24	881	29T
405 II (4E) BREAK											
1.4 (55 kW)	1992.08-		L	Estate		C9926A	Drive Shaft	25	22	605	29T
406 (8B)											
1.6 (65 kW)	1995.11-2004.05	MT	R	Saloon	XU5	C9983A	Drive Shaft	25	24	904.5	29T
	1995.11-2004.05	MT	L	Saloon	XU5	C9924A	Drive Shaft	25	24	620	48T
	1995.11-2004.05	MT	R	Saloon	XU5	C9925A	Drive Shaft	25	24	905.5	48T
1.8 (66 kW)	1997.05-2004.05	MT	R	Saloon		C9983A	Drive Shaft	25	24	904.5	29T
	1997.05-2004.05	MT	L	Saloon		C9924A	Drive Shaft	25	24	620	48T
	1997.05-2004.05	MT	R	Saloon		C9925A	Drive Shaft	25	24	905.5	48T
1.8 16V (81 kW)	1995.11-2000.10	MT	R	Saloon	XU7	C9983A	Drive Shaft	25	24	904.5	29T
	1995.11-2000.10	MT	R	Saloon	XU7	C9925A	Drive Shaft	25	24	905.5	48T
1.8 16V (85 kW)	2000.10-2004.05	MT	L	Saloon	EW7	C9924A	Drive Shaft	25	24	620	48T
	2000.10-2004.05	MT	R	Saloon	EW7	C9925A	Drive Shaft	25	24	905.5	48T
1.9D (55 kW)	1996.10-2004.05	MT	R	Saloon	XUD9	C9983A	Drive Shaft	25	24	904.5	29T
	1996.10-2004.05	MT	L	Saloon	XUD9	C9924A	Drive Shaft	25	24	620	48T
	1996.10-2004.05	MT	R	Saloon	XUD9	C9925A	Drive Shaft	25	24	905.5	48T
1.9 TD (66 kW)	1996.01-2004.05	MT	R	Saloon	XUD9	C9983A	Drive Shaft	25	24	904.5	29T
	1996.01-2004.05	MT	L	Saloon	XUD9	C9924A	Drive Shaft	25	24	620	48T
	1996.01-2004.05	MT	R	Saloon	XUD9	C9925A	Drive Shaft	25	24	905.5	48T
1.9 TD (68 kW)	1996.01-2004.05	MT	R	Saloon	XUD9	C9983A	Drive Shaft	25	24	904.5	29T
	1996.01-2004.05	MT	L	Saloon	XUD9	C9924A	Drive Shaft	25	24	620	48T
	1996.01-2004.05	MT	R	Saloon	XUD9	C9925A	Drive Shaft	25	24	905.5	48T
2.0 16V (100 kW)	2000.08-2004.05	MT	L	Saloon	EW10	C9924A	Drive Shaft	25	24	620	48T
	2000.08-2004.05	MT	R	Saloon	EW10	C9925A	Drive Shaft	25	24	905.5	48T
2.0 16V (97 kW)	1995.11-2004.05	MT	R	Saloon	XU10	C9983A	Drive Shaft	25	24	904.5	29T
	1995.11-2004.05	MT	L	Saloon	XU10	C9924A	Drive Shaft	25	24	620	48T

Model	Year	Gearbox	Side	Body	Engine	Index	Product	Specification			
								A	B	C	ABS
	1995.11-2004.05	MT	R	Saloon	XU10	C9925A	Drive Shaft	25	24	905.5	48T
2.0 16V (99 kW)	1999.01-2000.08	MT	R	Saloon	EW10	C9983A	Drive Shaft	25	24	904.5	29T
	1999.01-2000.08	MT	L	Saloon	EW10	C9924A	Drive Shaft	25	24	620	48T
	1999.01-2000.08	MT	R	Saloon	EW10	C9925A	Drive Shaft	25	24	905.5	48T
2.0 16V HPI (103 kW)	2001.05-2004.05		L	Saloon	EW10	C9924A	Drive Shaft	25	24	620	48T
	2001.05-2004.05		R	Saloon	EW10	C9925A	Drive Shaft	25	24	905.5	48T
2.0 HDi 110 (79 kW)	2001.08-2004.05	MT	L	Saloon	DW10	C9986A	Drive Shaft	25	37	625	48T
	2001.08-2004.05	MT	R	Saloon	DW10	C9987A	Drive Shaft	25	37	928	48T
2.0 HDi 110 (80 kW)	1998.06-2001.08	MT	R	Saloon	DW10	C9983A	Drive Shaft	25	24	904.5	29T
	1998.06-2001.08	MT	L	Saloon	DW10	C9924A	Drive Shaft	25	24	620	48T
	1998.06-2001.08	MT	R	Saloon	DW10	C9925A	Drive Shaft	25	24	905.5	48T
2.0 HDi 90 (66 kW)	1999.02-2004.05	MT	R	Saloon	DW10	C9983A	Drive Shaft	25	24	904.5	29T
	1999.02-2004.05	MT	L	Saloon	DW10	C9924A	Drive Shaft	25	24	620	48T
	1999.02-2004.05	MT	R	Saloon	DW10	C9925A	Drive Shaft	25	24	905.5	48T
2.0 Turbo (108 kW)	1996.04-2004.05	MT	R	Saloon	XU10	C9983A	Drive Shaft	25	24	904.5	29T
	1996.04-2004.05	MT	L	Saloon	XU10	C9924A	Drive Shaft	25	24	620	48T
	1996.04-2004.05	MT	R	Saloon	XU10	C9925A	Drive Shaft	25	24	905.5	48T
2.1 TD 12V (80 kW)	1996.01-2004.05	MT	L	Saloon	XUD11	C9986A	Drive Shaft	25	37	625	48T
	1996.01-2004.05	MT	R	Saloon	XUD11	C9987A	Drive Shaft	25	37	928	48T
2.2 (116 kW)	2000.07-2004.05	MT	L	Saloon	EW12	C9986A	Drive Shaft	25	37	625	48T
	2000.07-2004.05	MT	R	Saloon	EW12	C9987A	Drive Shaft	25	37	928	48T
2.2 HDi (98 kW)	2000.03-2004.05	MT	L	Saloon	DW12	C9986A	Drive Shaft	25	37	625	48T
	2000.03-2004.05	MT	R	Saloon	DW12	C9987A	Drive Shaft	25	37	928	48T
3.0 24V (140 kW)	1996.10-2004.05	MT	L	Saloon	ES9	C9986A	Drive Shaft	25	37	625	48T
	1996.10-2004.05	MT	R	Saloon	ES9	C9987A	Drive Shaft	25	37	928	48T
3.0 V6 (152 kW)	2000.03-2004.05	MT	L	Saloon	ES9	C9986A	Drive Shaft	25	37	625	48T
	2000.03-2004.05	MT	R	Saloon	ES9	C9987A	Drive Shaft	25	37	928	48T
406 (8C)											
2.0 16V (100 kW)	2000.10-2004.12	MT	L	Coupe	EW10	C9924A	Drive Shaft	25	24	620	48T
	2000.10-2004.12	MT	R	Coupe	EW10	C9925A	Drive Shaft	25	24	905.5	48T
2.0 16V (97 kW)	1997.03-2004.12	MT	R	Coupe	XU10	C9983A	Drive Shaft	25	24	904.5	29T
	1997.03-2004.12	MT	L	Coupe	XU10	C9924A	Drive Shaft	25	24	620	48T
	1997.03-2004.12	MT	R	Coupe	XU10	C9925A	Drive Shaft	25	24	905.5	48T
2.0 16V (99 kW)	1999.01-2000.10	MT	R	Coupe	EW10	C9983A	Drive Shaft	25	24	904.5	29T
	1999.01-2000.10	MT	L	Coupe	EW10	C9924A	Drive Shaft	25	24	620	48T
	1999.01-2000.10	MT	R	Coupe	EW10	C9925A	Drive Shaft	25	24	905.5	48T
2.2 (116 kW)	2002.03-2004.12	MT	L	Coupe	EW12	C9986A	Drive Shaft	25	37	625	48T
	2002.03-2004.12	MT	R	Coupe	EW12	C9987A	Drive Shaft	25	37	928	48T
2.2 HDi (98 kW)	2000.03-2004.12	MT	L	Coupe	DW12	C9986A	Drive Shaft	25	37	625	48T
	2000.03-2004.12	MT	R	Coupe	DW12	C9987A	Drive Shaft	25	37	928	48T
3.0 24V (140 kW)	1997.03-2004.12	MT	L	Coupe	ES9	C9986A	Drive Shaft	25	37	625	48T
	1997.03-2004.12	MT	R	Coupe	ES9	C9987A	Drive Shaft	25	37	928	48T
3.0 V6 (152 kW)	2000.03-2004.12	MT	L	Coupe	ES9	C9986A	Drive Shaft	25	37	625	48T
	2000.03-2004.12	MT	R	Coupe	ES9	C9987A	Drive Shaft	25	37	928	48T
406 (8E/F)											
1.8 (66 kW)	1997.05-2004.10	MT	R	Estate	XU7	C9983A	Drive Shaft	25	24	904.5	29T
	1997.05-2004.10	MT	L	Estate	XU7	C9924A	Drive Shaft	25	24	620	48T
	1997.05-2004.10	MT	R	Estate	XU7	C9925A	Drive Shaft	25	24	905.5	48T
1.8 16V (81 kW)	1996.10-2000.10	MT	R	Estate	XU7	C9983A	Drive Shaft	25	24	904.5	29T

Model	Year	Gearbox	Side	Body	Engine	Index	Product	Specification			
								A	B	C	ABS
	1996.10-2000.10	MT	L	Estate	XU7	C9924A	Drive Shaft	25	24	620	48T
	1996.10-2000.10	MT	R	Estate	XU7	C9925A	Drive Shaft	25	24	905.5	48T
1.8 16V (85 kW)	2000.10-2004.10	MT	L	Estate	EW7	C9924A	Drive Shaft	25	24	620	48T
	2000.10-2004.10	MT	R	Estate	EW7	C9925A	Drive Shaft	25	24	905.5	48T
1.9 D (55 kW)	1996.10-2004.10	MT	R	Estate	XUD9	C9983A	Drive Shaft	25	24	904.5	29T
	1996.10-2004.10	MT	L	Estate	XUD9	C9924A	Drive Shaft	25	24	620	48T
	1996.10-2004.10	MT	R	Estate	XUD9	C9925A	Drive Shaft	25	24	905.5	48T
1.9 TD (66 kW)	1996.10-2004.10	MT	R	Estate	XUD9	C9983A	Drive Shaft	25	24	904.5	29T
	1996.10-2004.10	MT	L	Estate	XUD9	C9924A	Drive Shaft	25	24	620	48T
	1996.10-2004.10	MT	R	Estate	XUD9	C9925A	Drive Shaft	25	24	905.5	48T
2.0 16V (100 kW)	2000.10-2004.10	MT	L	Estate	EW10	C9924A	Drive Shaft	25	24	620	48T
	2000.10-2004.10	MT	R	Estate	EW10	C9925A	Drive Shaft	25	24	905.5	48T
2.0 16V (97 kW)	1996.10-2004.10	MT	R	Estate	XU10	C9983A	Drive Shaft	25	24	904.5	29T
	1996.10-2004.10	MT	R	Estate	XU10	C9925A	Drive Shaft	25	24	905.5	48T
2.0 16V (99 kW)	1999.01-2000.10	MT	R	Estate	EW10	C9983A	Drive Shaft	25	24	904.5	29T
	1999.01-2000.10	MT	L	Estate	EW10	C9924A	Drive Shaft	25	24	620	48T
	1999.01-2000.10	MT	R	Estate	EW10	C9925A	Drive Shaft	25	24	905.5	48T
2.0 16V HPI (103 kW)	2001.05-2004.10		L	Estate	EW10	C9924A	Drive Shaft	25	24	620	48T
	2001.05-2004.10		R	Estate	EW10	C9925A	Drive Shaft	25	24	905.5	48T
2.0 HDi 110 (79 kW)	2001.08-2004.10	MT	L	Estate	DW10	C9986A	Drive Shaft	25	37	625	48T
	2001.08-2004.10	MT	R	Estate	DW10	C9987A	Drive Shaft	25	37	928	48T
2.0 HDi 110 (80 kW)	1999.02-2004.04	MT	R	Estate	DW10	C9983A	Drive Shaft	25	24	904.5	29T
	1999.02-2004.04	MT	L	Estate	DW10	C9924A	Drive Shaft	25	24	620	48T
	1999.02-2004.04	MT	R	Estate	DW10	C9925A	Drive Shaft	25	24	905.5	48T
2.0 HDi 90 (66 kW)	1999.02-2004.10	MT	R	Estate	DW10	C9983A	Drive Shaft	25	24	904.5	29T
	1999.02-2004.10	MT	L	Estate	DW10	C9924A	Drive Shaft	25	24	620	48T
	1999.02-2004.10	MT	R	Estate	DW10	C9925A	Drive Shaft	25	24	905.5	48T
2.0 Turbo (108 kW)	1996.10-2004.10	MT	R	Estate	XU10	C9983A	Drive Shaft	25	24	904.5	29T
	1996.10-2004.10	MT	L	Estate	XU10	C9924A	Drive Shaft	25	24	620	48T
	1996.10-2004.10	MT	R	Estate	XU10	C9925A	Drive Shaft	25	24	905.5	48T
2.1 TD 12V (80 kW)	1996.10-2004.10	MT	L	Estate	XUD11	C9986A	Drive Shaft	25	37	625	48T
	1996.10-2004.10	MT	R	Estate	XUD11	C9987A	Drive Shaft	25	37	928	48T
2.2 (116 kW)	2000.07-2004.10	MT	L	Estate	EW12	C9986A	Drive Shaft	25	37	625	48T
	2000.07-2004.10	MT	R	Estate	EW12	C9987A	Drive Shaft	25	37	928	48T
2.2 HDi (98 kW)	2000.03-2004.10	MT	L	Estate	DW12	C9986A	Drive Shaft	25	37	625	48T
	2000.03-2004.10	MT	R	Estate	DW12	C9987A	Drive Shaft	25	37	928	48T
3.0 24V (140 kW)	1996.10-2004.10	MT	L	Estate	ES9	C9986A	Drive Shaft	25	37	625	48T
	1996.10-2004.10	MT	R	Estate	ES9	C9987A	Drive Shaft	25	37	928	48T
3.0 V6 (152 kW)	2000.03-2004.10	MT	L	Estate	ES9	C9986A	Drive Shaft	25	37	625	48T
	2000.03-2004.10	MT	R	Estate	ES9	C9987A	Drive Shaft	25	37	928	48T
406 II											
1.8	1999.03-	MT				C927A	Outer Joint	25	34	133	48T
2.0	1999.03-	MT				C927A	Outer Joint	25	34	133	48T
2.0 HDi	1999.03-	MT				C927A	Outer Joint	25	34	133	48T
407 (6C_)											
2.0 HDi (100 kW)	2005.10-			Coupe	DW10	C930	Outer Joint	28	39	157	
407 (6D_)											
1.6 HDi 110 (80 kW)	2004.05-			Saloon	DV6	C932	Outer Joint	28	34	147	
	2004.05-		R	Saloon	DV6	C9989	Drive Shaft	28	24	951	

Model	Year	Gearbox	Side	Body	Engine	Index	Product	Specification			
								A	B	C	ABS
1.8 (85 kW)	2004.05-			Saloon	EW7	C932	Outer Joint	28	34	147	
	2004.05-		L	Saloon	EW7	C9988	Drive Shaft	28	24	678	
	2004.05-		R	Saloon	EW7	C9989	Drive Shaft	28	24	951	
1.8 16V (92 kW)	2005.09-			Saloon	EW7	C932	Outer Joint	28	34	147	
	2005.09-		R	Saloon	EW7	C9989	Drive Shaft	28	24	951	
2.0 (100 kW)	2004.05-			Saloon	EW10	C932	Outer Joint	28	34	147	
	2004.05-		R	Saloon	EW10	C9989	Drive Shaft	28	24	951	
2.0 16V (103 kW)	2005.09-			Saloon	EW10	C932	Outer Joint	28	34	147	
	2005.09-		R	Saloon	EW10	C9989	Drive Shaft	28	24	951	
2.0 HDi 135 (100 kW)	2004.05-			Saloon	DW10	C930	Outer Joint	28	39	157	
2.2 HDi 170 (125 kW)	2006.05-			Saloon	DW12	C930	Outer Joint	28	39	157	
407 SW (6E_)											
1.6 HDi 110 (80 kW)	2004.05-			Estate	DV6	C932	Outer Joint	28	34	147	
	2004.05-		R	Estate	DV6	C9989	Drive Shaft	28	24	951	
1.8 (85 kW)	2004.05-			Estate	EW7	C932	Outer Joint	28	34	147	
	2004.05-		L	Estate	EW7	C9988	Drive Shaft	28	24	678	
	2004.05-		R	Estate	EW7	C9989	Drive Shaft	28	24	951	
1.8 16V (92 kW)	2005.09-			Estate	EW7	C932	Outer Joint	28	34	147	
	2005.09-		R	Estate	EW7	C9989	Drive Shaft	28	24	951	
2.0 (100 kW)	2004.05-			Estate	EW10	C932	Outer Joint	28	34	147	
	2004.05-		R	Estate	EW10	C9989	Drive Shaft	28	24	951	
2.0 16V (103 kW)	2005.09-			Estate	EW10	C932	Outer Joint	28	34	147	
	2005.09-		R	Estate	EW10	C9989	Drive Shaft	28	24	951	
2.0 HDi 135 (100 kW)	2004.05-			Estate	DW10	C930	Outer Joint	28	39	157	
2.2 HDi 170 (125 kW)	2006.05-			Estate	DW12	C930	Outer Joint	28	39	157	
4007 (GP_)											
2.2 HDi (115 kW)	2007.07-	MT	L/F	SUV	DW12	C9996	Drive Shaft	28	24	630	
	2007.07-	MT	R/F	SUV	DW12	C9997	Drive Shaft	28	24	992	
5008											
1.6 16V (88 kW)	2009.09-			MPV	EP6	C113A	Outer Joint	25	34	134	48W
	2009.09-		L	MPV	EP6	C9062	Drive Shaft	25	24	645	
	2009.09-	6MT		MPV	EP6	C934	Outer Joint	25	34	134	
1.6 16V (115 kW)	2009.09-	MT	R	MPV	EP6	C9999	Drive Shaft	25	24	940	
	2009.09-	MT	L	MPV	EP6	C9998	Drive Shaft	25	24	626	
	2009.09-	6MT		MPV	EP6	C934	Outer Joint	25	34	134	
1.6 HDi (80 kW)	2009.09-	MT	R	MPV	DV6	C9999	Drive Shaft	25	24	940	
	2009.09-	MT	L	MPV	DV6	C9998	Drive Shaft	25	24	626	
	2009.09-	6MT		MPV	DV6	C934	Outer Joint	25	34	134	
1.6 HDi (82 kW)	2010.08-	MT	L	MPV	DV6	C9998	Drive Shaft	25	24	626	
	2010.08-	MT/6MT		MPV	DV6	C934	Outer Joint	25	34	134	
	2010.08-	MT	R	MPV	DV6	C9999	Drive Shaft	25	24	940	
1.6 HDi (84 kW)	2013.03-			MPV	DV6	C934	Outer Joint	25	34	134	
2.0 HDi (110 kW)	2009.06-			MPV	DW10	C934	Outer Joint	25	34	134	
605 (6B)											
2.0 (79 kW)	1990.02-1999.09	MT		Saloon		C106A	Outer Joint	28	23	144	48T
	1990.02-1999.09		L	Saloon		C9029A	Drive Shaft	28	24	651	48T
	1990.02-1999.09		R	Saloon		C9030A	Drive Shaft	28	24	942.5	48T
2.0 (89 kW)	1989.06-1999.09	MT		Saloon	XU10	C106A	Outer Joint	28	23	144	48T
2.1 D (60 kW)	1989.06-1995.07			Saloon	XUD11	C106A	Outer Joint	28	23	144	48T

Model	Year	Gearbox	Side	Body	Engine	Index	Product	Specification			
								A	B	C	ABS
	1989.06-1995.07		L	Saloon	XUD11	C9029A	Drive Shaft	28	24	651	48T
	1989.06-1995.07		R	Saloon	XUD11	C9030A	Drive Shaft	28	24	942.5	48T
2.1 TD (80 kW)	1989.06-1999.09			Saloon	XUD11	C107A	Outer Joint	28	27	152	48T
	1989.06-1999.09			Saloon	XUD11	C961A	Outer Joint	28	27	152	29T
2.1 TD 12V (80 kW)	1994.08-1999.09			Saloon	XUD11	C107A	Outer Joint	28	27	152	48T
	1994.08-1999.09			Saloon	XUD11	C961A	Outer Joint	28	27	152	29T
3.0 (123 kW)	1989.08-1994.06			Saloon		C107A	Outer Joint	28	27	152	48T
	1989.08-1994.06			Saloon		C961A	Outer Joint	28	27	152	29T
	1989.10-1999.09			Saloon	ZPJ	C107A	Outer Joint	28	27	152	48T
	1989.10-1999.09			Saloon	ZPJ	C961A	Outer Joint	28	27	152	29T
3.0 (147 kW)	1989.08-1994.06			Saloon		C107A	Outer Joint	28	27	152	48T
	1989.08-1994.06			Saloon		C961A	Outer Joint	28	27	152	29T
3.0 SV 24 (147 kW)	1989.08-1999.09			Saloon	ZPJ4/Z	C107A	Outer Joint	28	27	152	48T
	1989.08-1999.09			Saloon	ZPJ4/Z	C961A	Outer Joint	28	27	152	29T
806 (221)											
1.8 (73 kW)	1995.07-2002.08	MT	L	MPV	XU7	C9028A	Drive Shaft	27	24	648	48T
	1995.07-2002.08	MT	R	MPV	XU7	C9027	Drive Shaft	27	24	928	
	1995.07-2002.08	MT	R	MPV	XU7	C9027A	Drive Shaft	27	24	928	48T
1.9 TD (66 kW)	1995.07-2002.08			MPV	XUD9	C914A	Outer Joint	27	39	145	48T
	1995.07-2002.08	MT	L	MPV	XUD9	C9021A	Drive Shaft	27	37	641	48T
	1995.07-2002.08	MT	R	MPV	XUD9	C9022	Drive Shaft	27	37	947	
	1995.07-2002.08	MT	R	MPV	XUD9	C9022A	Drive Shaft	27	37	947	48T
1.9 TD (68 kW)	1997.05-2002.08			MPV	XUD9	C914	Outer Joint	27	39	145	
	1997.05-2002.08			MPV	XUD9	C914A	Outer Joint	27	39	145	48T
	1997.05-2002.08	MT	L	MPV	XUD9	C9021A	Drive Shaft	27	37	641	48T
	1997.05-2002.08	MT	R	MPV	XUD9	C9022	Drive Shaft	27	37	947	
	1997.05-2002.08	MT	R	MPV	XUD9	C9022A	Drive Shaft	27	37	947	48T
2.0 (89 kW)	1994.06-2002.08			MPV	XU10	C915A	Outer Joint	27	34	137	48T
	1994.06-2002.08	MT	L	MPV	XU10	C9028A	Drive Shaft	27	24	648	48T
	1994.06-2002.08	MT	R	MPV	XU10	C9027	Drive Shaft	27	24	928	
	1994.06-2002.08	MT	R	MPV	XU10	C9027A	Drive Shaft	27	24	928	48T
2.0 HDi (80 kW)	1999.08-2002.08			MPV	DW10	C914A	Outer Joint	27	39	145	48T
	1999.08-2002.08	MT	L	MPV	DW10	C9021A	Drive Shaft	27	37	641	48T
	1999.08-2002.08	MT	R	MPV	DW10	C9022	Drive Shaft	27	37	947	
	1999.08-2002.08	MT	R	MPV	DW10	C9022A	Drive Shaft	27	37	947	48T
2.0 HDi 16V (80 kW)	1999.08-2002.08			MPV	DW10	C914A	Outer Joint	27	39	145	48T
2.0 Turbo (108 kW)	1994.06-2002.08			MPV	XU10	C914	Outer Joint	27	39	145	
	1994.06-2002.08			MPV	XU10	C914A	Outer Joint	27	39	145	48T
	1994.06-2002.08	MT	L	MPV	XU10	C9021A	Drive Shaft	27	37	641	48T
	1994.06-2002.08	MT	R	MPV	XU10	C9022	Drive Shaft	27	37	947	
	1994.06-2002.08	MT	R	MPV	XU10	C9022A	Drive Shaft	27	37	947	48T
2.1 TD 12V (80 kW)	1996.06-1999.08			MPV	XUD11	C914	Outer Joint	27	39	145	
	1996.06-1999.08			MPV	XUD11	C914A	Outer Joint	27	39	145	48T
	1996.06-1999.08	MT	L	MPV	XUD11	C9021A	Drive Shaft	27	37	641	48T
	1996.06-1999.08	MT	R	MPV	XUD11	C9022	Drive Shaft	27	37	947	
	1996.06-1999.08	MT	R	MPV	XUD11	C9022A	Drive Shaft	27	37	947	48T
807 (E)											
2.0 HDi (79 kW)	2002.06-			MPV	DW10	C911	Outer Joint	27	28	144	
2.0 HDi (80 kW)	2004.04-2006.05			MPV	DW10	C911	Outer Joint	27	28	144	

Model	Year	Gearbox	Side	Body	Engine	Index	Product	Specification			
								A	B	C	ABS
2.2 HDi (94 kW)	2002.06-			MPV	DW12	C932	Outer Joint	28	34	147	
BIPPER											
1.4 HDi (50 kW)	2008.02-		R	Box	DV4	C9950	Drive Shaft	25	22	885	
	2008.02-		L	Box	DV4	C9951	Drive Shaft	25	22	655	
BIPPER TEPEE											
1.4 HDi (50 kW)	2008.04-		R	MPV	DV4	C9950	Drive Shaft	25	22	885	
	2008.04-		L	MPV	DV4	C9951	Drive Shaft	25	22	655	
BOXER (230L)											
1.9 D (50 kW)	1999.07-2002.04	MT		Box	XUD9	C115A	Outer Joint	35	45	190	54T
	1999.07-2002.04	MT		Box	XUD9	C115	Outer Joint	35	45	190	
	1999.07-2002.04	MT		Box	XUD9	C908A	Outer Joint	28	39	176	54T
	1999.07-2002.04	MT		Box	XUD9	C908	Outer Joint	28	39	176	
	1999.07-2002.04	MT	L	Box	XUD9	C9018	Drive Shaft	28	37	771	
	1999.07-2002.04	MT	L	Box	XUD9	C9018A	Drive Shaft	28	37	771	54T
	1999.07-2002.04	MT	L	Box	XUD9	C9015	Drive Shaft	28	41	757.5	
	1999.07-2002.04	MT	L	Box	XUD9	C9015A	Drive Shaft	28	41	757.5	54T
	1999.07-2002.04	MT	L	Box	XUD9	C810	Inner Joint		41		
	1999.07-2002.04	MT	L	Box	XUD9	C9012A	Drive Shaft	35	41	762	54T
	1999.07-2002.04	MT	L	Box	XUD9	C807	Inner Joint		41		
	1999.07-2002.04	MT	R	Box	XUD9	C9017	Drive Shaft	28	37	1072	
	1999.07-2002.04	MT	R	Box	XUD9	C9017A	Drive Shaft	28	37	1072	54T
	1999.07-2002.04	MT	L	Box	XUD9	C816	Inner Joint		41		
	1999.07-2002.04	MT	R	Box	XUD9	C817	Inner Joint		41		
	1999.07-2002.04	MT	R	Box	XUD9	C9016	Drive Shaft	28	41	1079	
	1999.07-2002.04	MT	R	Box	XUD9	C9016A	Drive Shaft	28	41	1079	54T
	1999.07-2002.04	MT	R	Box	XUD9	C811	Inner Joint		41		
	1999.07-2002.04	MT	R	Box	XUD9	C9011	Drive Shaft	35	41	1085	
	1999.07-2002.04	MT	R	Box	XUD9	C806	Inner Joint		41		
1999.07-2002.04	MT	R	Box	XUD9	C9011A	Drive Shaft	35	41	1085	54T	
1.9 D (51 kW)	1994.03-2002.04	MT		Box	XUD9	C115A	Outer Joint	35	45	190	54T
	1994.03-2002.04	MT		Box	XUD9	C115	Outer Joint	35	45	190	
	1994.03-2002.04	MT		Box	XUD9	C908A	Outer Joint	28	39	176	54T
	1994.03-2002.04	MT		Box	XUD9	C908	Outer Joint	28	39	176	
	1994.03-2002.04	MT	L	Box	XUD9	C9018	Drive Shaft	28	37	771	
	1994.03-2002.04	MT	L	Box	XUD9	C9018A	Drive Shaft	28	37	771	54T
	1994.03-2002.04	MT	L	Box	XUD9	C9015	Drive Shaft	28	41	757.5	
	1994.03-2002.04	MT	L	Box	XUD9	C9015A	Drive Shaft	28	41	757.5	54T
	1994.03-2002.04	MT	L	Box	XUD9	C810	Inner Joint		41		
	1994.03-2002.04	MT	L	Box	XUD9	C9012A	Drive Shaft	35	41	762	54T
	1994.03-2002.04	MT	L	Box	XUD9	C807	Inner Joint		41		
	1994.03-2002.04	MT	R	Box	XUD9	C9017	Drive Shaft	28	37	1072	
	1994.03-2002.04	MT	R	Box	XUD9	C9017A	Drive Shaft	28	37	1072	54T
	1994.03-2002.04	MT	L	Box	XUD9	C816	Inner Joint		41		
	1994.03-2002.04	MT	R	Box	XUD9	C817	Inner Joint		41		
	1994.03-2002.04	MT	R	Box	XUD9	C9016	Drive Shaft	28	41	1079	
	1994.03-2002.04	MT	R	Box	XUD9	C9016A	Drive Shaft	28	41	1079	54T
	1994.03-2002.04	MT	R	Box	XUD9	C811	Inner Joint		41		
	1994.03-2002.04	MT	R	Box	XUD9	C9011	Drive Shaft	35	41	1085	
	1994.03-2002.04	MT	R	Box	XUD9	C806	Inner Joint		41		

Model	Year	Gearbox	Side	Body	Engine	Index	Product	Specification			
								A	B	C	ABS
	1994.03-2002.04	MT	R	Box	XUD9	C9011A	Drive Shaft	35	41	1085	54T
1.9 TD (68 kW)	1994.03-2002.04	MT		Box	XUD9	C115A	Outer Joint	35	45	190	54T
	1994.03-2002.04	MT		Box	XUD9	C115	Outer Joint	35	45	190	
	1994.03-2002.04	MT		Box	XUD9	C908A	Outer Joint	28	39	176	54T
	1994.03-2002.04	MT		Box	XUD9	C908	Outer Joint	28	39	176	
	1994.03-2002.04	MT	L	Box	XUD9	C9018	Drive Shaft	28	37	771	
	1994.03-2002.04	MT	L	Box	XUD9	C9018A	Drive Shaft	28	37	771	54T
	1994.03-2002.04	MT	L	Box	XUD9	C9015	Drive Shaft	28	41	757.5	
	1994.03-2002.04	MT	L	Box	XUD9	C9015A	Drive Shaft	28	41	757.5	54T
	1994.03-2002.04	MT	L	Box	XUD9	C810	Inner Joint		41		
	1994.03-2002.04	MT	L	Box	XUD9	C9012A	Drive Shaft	35	41	762	54T
	1994.03-2002.04	MT	L	Box	XUD9	C807	Inner Joint		41		
	1994.03-2002.04	MT	R	Box	XUD9	C9017	Drive Shaft	28	37	1072	
	1994.03-2002.04	MT	R	Box	XUD9	C9017A	Drive Shaft	28	37	1072	54T
	1994.03-2002.04	MT	L	Box	XUD9	C816	Inner Joint		41		
	1994.03-2002.04	MT	R	Box	XUD9	C817	Inner Joint		41		
	1994.03-2002.04	MT	R	Box	XUD9	C9016	Drive Shaft	28	41	1079	
	1994.03-2002.04	MT	R	Box	XUD9	C9016A	Drive Shaft	28	41	1079	54T
	1994.03-2002.04	MT	R	Box	XUD9	C811	Inner Joint		41		
	1994.03-2002.04	MT	R	Box	XUD9	C9011	Drive Shaft	35	41	1085	
	1994.03-2002.04	MT	R	Box	XUD9	C806	Inner Joint		41		
1994.03-2002.04	MT	R	Box	XUD9	C9011A	Drive Shaft	35	41	1085	54T	
2.0 i (80 kW)	1994.06-2002.04	MT		Box	XU10	C115A	Outer Joint	35	45	190	54T
	1994.06-2002.04	MT		Box	XU10	C115	Outer Joint	35	45	190	
	1994.06-2002.04	MT		Box	XU10	C908A	Outer Joint	28	39	176	54T
	1994.06-2002.04	MT		Box	XU10	C908	Outer Joint	28	39	176	
	1994.06-2002.04	MT	L	Box	XU10	C9018	Drive Shaft	28	37	771	
	1994.06-2002.04	MT	L	Box	XU10	C9018A	Drive Shaft	28	37	771	54T
	1994.06-2002.04	MT	L	Box	XU10	C9015	Drive Shaft	28	41	757.5	
	1994.06-2002.04	MT	L	Box	XU10	C9015A	Drive Shaft	28	41	757.5	54T
	1994.06-2002.04	MT	L	Box	XU10	C810	Inner Joint		41		
	1994.06-2002.04	MT	L	Box	XU10	C9012A	Drive Shaft	35	41	762	54T
	1994.06-2002.04	MT	L	Box	XU10	C807	Inner Joint		41		
	1994.06-2002.04	MT	R	Box	XU10	C9017	Drive Shaft	28	37	1072	
	1994.06-2002.04	MT	R	Box	XU10	C9017A	Drive Shaft	28	37	1072	54T
	1994.06-2002.04	MT	L	Box	XU10	C816	Inner Joint		41		
	1994.06-2002.04	MT	R	Box	XU10	C817	Inner Joint		41		
	1994.06-2002.04	MT	R	Box	XU10	C9016	Drive Shaft	28	41	1079	
	1994.06-2002.04	MT	R	Box	XU10	C9016A	Drive Shaft	28	41	1079	54T
	1994.06-2002.04	MT	R	Box	XU10	C811	Inner Joint		41		
	1994.06-2002.04	MT	R	Box	XU10	C9011	Drive Shaft	35	41	1085	
	1994.06-2002.04	MT	R	Box	XU10	C806	Inner Joint		41		
1994.06-2002.04	MT	R	Box	XU10	C9011A	Drive Shaft	35	41	1085	54T	
2.5 D (63 kW)	1994.03-2002.04	MT		Box	DJ5	C115A	Outer Joint	35	45	190	54T
	1994.03-2002.04	MT		Box	DJ5	C115	Outer Joint	35	45	190	
	1994.03-2002.04	MT		Box	DJ5	C908A	Outer Joint	28	39	176	54T
	1994.03-2002.04	MT		Box	DJ5	C908	Outer Joint	28	39	176	
	1994.03-2002.04	MT	L	Box	DJ5	C9018	Drive Shaft	28	37	771	
	1994.03-2002.04	MT	L	Box	DJ5	C9018A	Drive Shaft	28	37	771	54T

Model	Year	Gearbox	Side	Body	Engine	Index	Product	Specification			
								A	B	C	ABS
	1994.03-2002.04	MT	L	Box	DJ5	C9015	Drive Shaft	28	41	757.5	
	1994.03-2002.04	MT	L	Box	DJ5	C9015A	Drive Shaft	28	41	757.5	54T
	1994.03-2002.04	MT	L	Box	DJ5	C810	Inner Joint		41		
	1994.03-2002.04	MT	L	Box	DJ5	C9012A	Drive Shaft	35	41	762	54T
	1994.03-2002.04	MT	L	Box	DJ5	C807	Inner Joint		41		
	1994.03-2002.04	MT	R	Box	DJ5	C9017	Drive Shaft	28	37	1072	
	1994.03-2002.04	MT	R	Box	DJ5	C9017A	Drive Shaft	28	37	1072	54T
	1994.03-2002.04	MT	L	Box	DJ5	C816	Inner Joint		41		
	1994.03-2002.04	MT	R	Box	DJ5	C817	Inner Joint		41		
	1994.03-2002.04	MT	R	Box	DJ5	C9016	Drive Shaft	28	41	1079	
	1994.03-2002.04	MT	R	Box	DJ5	C9016A	Drive Shaft	28	41	1079	54T
	1994.03-2002.04	MT	R	Box	DJ5	C811	Inner Joint		41		
	1994.03-2002.04	MT	R	Box	DJ5	C9011	Drive Shaft	35	41	1085	
	1994.03-2002.04	MT	R	Box	DJ5	C806	Inner Joint		41		
	1994.03-2002.04	MT	R	Box	DJ5	C9011A	Drive Shaft	35	41	1085	54T
2.5 D 4WD (63 kW)	1999.07-2002.04	MT		Box	DJ5	C115A	Outer Joint	35	45	190	54T
	1999.07-2002.04	MT		Box	DJ5	C115	Outer Joint	35	45	190	
	1999.07-2002.04	MT		Box	DJ5	C908A	Outer Joint	28	39	176	54T
	1999.07-2002.04	MT		Box	DJ5	C908	Outer Joint	28	39	176	
	1999.07-2002.04	MT	L	Box	DJ5	C9018	Drive Shaft	28	37	771	
	1999.07-2002.04	MT	L	Box	DJ5	C9018A	Drive Shaft	28	37	771	54T
	1999.07-2002.04	MT	L	Box	DJ5	C9015	Drive Shaft	28	41	757.5	
	1999.07-2002.04	MT	L	Box	DJ5	C9015A	Drive Shaft	28	41	757.5	54T
	1999.07-2002.04	MT	L	Box	DJ5	C810	Inner Joint		41		
	1999.07-2002.04	MT	L	Box	DJ5	C9012A	Drive Shaft	35	41	762	54T
	1999.07-2002.04	MT	L	Box	DJ5	C807	Inner Joint		41		
	1999.07-2002.04	MT	R	Box	DJ5	C9017	Drive Shaft	28	37	1072	
	1999.07-2002.04	MT	R	Box	DJ5	C9017A	Drive Shaft	28	37	1072	54T
	1999.07-2002.04	MT	L	Box	DJ5	C816	Inner Joint		41		
	1999.07-2002.04	MT	R	Box	DJ5	C817	Inner Joint		41		
	1999.07-2002.04	MT	R	Box	DJ5	C9016	Drive Shaft	28	41	1079	
	1999.07-2002.04	MT	R	Box	DJ5	C9016A	Drive Shaft	28	41	1079	54T
	1999.07-2002.04	MT	R	Box	DJ5	C811	Inner Joint		41		
	1999.07-2002.04	MT	R	Box	DJ5	C9011	Drive Shaft	35	41	1085	
	1999.07-2002.04	MT	R	Box	DJ5	C806	Inner Joint		41		
	1999.07-2002.04	MT	R	Box	DJ5	C9011A	Drive Shaft	35	41	1085	54T
2.5 TD (76 kW)	1994.03-2002.04	MT		Box	DJ5T	C115A	Outer Joint	35	45	190	54T
	1994.03-2002.04	MT		Box	DJ5T	C115	Outer Joint	35	45	190	
	1994.03-2002.04	MT		Box	DJ5T	C908A	Outer Joint	28	39	176	54T
	1994.03-2002.04	MT		Box	DJ5T	C908	Outer Joint	28	39	176	
	1994.03-2002.04	MT	L	Box	DJ5T	C9018	Drive Shaft	28	37	771	
	1994.03-2002.04	MT	L	Box	DJ5T	C9018A	Drive Shaft	28	37	771	54T
	1994.03-2002.04	MT	L	Box	DJ5T	C9015	Drive Shaft	28	41	757.5	
	1994.03-2002.04	MT	L	Box	DJ5T	C9015A	Drive Shaft	28	41	757.5	54T
	1994.03-2002.04	MT	L	Box	DJ5T	C810	Inner Joint		41		
	1994.03-2002.04	MT	L	Box	DJ5T	C9012A	Drive Shaft	35	41	762	54T
	1994.03-2002.04	MT	L	Box	DJ5T	C807	Inner Joint		41		
	1994.03-2002.04	MT	R	Box	DJ5T	C9017	Drive Shaft	28	37	1072	
	1994.03-2002.04	MT	R	Box	DJ5T	C9017A	Drive Shaft	28	37	1072	54T

Model	Year	Gearbox	Side	Body	Engine	Index	Product	Specification			
								A	B	C	ABS
	1994.03-2002.04	MT	L	Box	DJ5T	C816	Inner Joint		41		
	1994.03-2002.04	MT	R	Box	DJ5T	C817	Inner Joint		41		
	1994.03-2002.04	MT	R	Box	DJ5T	C9016	Drive Shaft	28	41	1079	
	1994.03-2002.04	MT	R	Box	DJ5T	C9016A	Drive Shaft	28	41	1079	54T
	1994.03-2002.04	MT	R	Box	DJ5T	C811	Inner Joint		41		
	1994.03-2002.04	MT	R	Box	DJ5T	C9011	Drive Shaft	35	41	1085	
	1994.03-2002.04	MT	R	Box	DJ5T	C806	Inner Joint		41		
	1994.03-2002.04	MT	R	Box	DJ5T	C9011A	Drive Shaft	35	41	1085	54T
2.5 TDi (79 kW)	1997.01-2002.04	MT		Box	DJ5TED	C115A	Outer Joint	35	45	190	54T
	1997.01-2002.04	MT		Box	DJ5TED	C115	Outer Joint	35	45	190	
	1997.01-2002.04	MT		Box	DJ5TED	C908A	Outer Joint	28	39	176	54T
	1997.01-2002.04	MT		Box	DJ5TED	C908	Outer Joint	28	39	176	
	1997.01-2002.04	MT	L	Box	DJ5TED	C9018	Drive Shaft	28	37	771	
	1997.01-2002.04	MT	L	Box	DJ5TED	C9018A	Drive Shaft	28	37	771	54T
	1997.01-2002.04	MT	L	Box	DJ5TED	C9015	Drive Shaft	28	41	757.5	
	1997.01-2002.04	MT	L	Box	DJ5TED	C9015A	Drive Shaft	28	41	757.5	54T
	1997.01-2002.04	MT	L	Box	DJ5TED	C810	Inner Joint		41		
	1997.01-2002.04	MT	L	Box	DJ5TED	C9012A	Drive Shaft	35	41	762	54T
	1997.01-2002.04	MT	L	Box	DJ5TED	C807	Inner Joint		41		
	1997.01-2002.04	MT	R	Box	DJ5TED	C9017	Drive Shaft	28	37	1072	
	1997.01-2002.04	MT	R	Box	DJ5TED	C9017A	Drive Shaft	28	37	1072	54T
	1997.01-2002.04	MT	L	Box	DJ5TED	C816	Inner Joint		41		
	1997.01-2002.04	MT	R	Box	DJ5TED	C817	Inner Joint		41		
	1997.01-2002.04	MT	R	Box	DJ5TED	C9016	Drive Shaft	28	41	1079	
	1997.01-2002.04	MT	R	Box	DJ5TED	C9016A	Drive Shaft	28	41	1079	54T
	1997.01-2002.04	MT	R	Box	DJ5TED	C811	Inner Joint		41		
	1997.01-2002.04	MT	R	Box	DJ5TED	C9011	Drive Shaft	35	41	1085	
	1997.01-2002.04	MT	R	Box	DJ5TED	C806	Inner Joint		41		
	1997.01-2002.04	MT	R	Box	DJ5TED	C9011A	Drive Shaft	35	41	1085	54T
2.5 TDi 4WD (79 kW)	1999.07-2002.04	MT		Box	DJ5TED	C115A	Outer Joint	35	45	190	54T
	1999.07-2002.04	MT		Box	DJ5TED	C115	Outer Joint	35	45	190	
	1999.07-2002.04	MT		Box	DJ5TED	C908A	Outer Joint	28	39	176	54T
	1999.07-2002.04	MT		Box	DJ5TED	C908	Outer Joint	28	39	176	
	1999.07-2002.04	MT	L	Box	DJ5TED	C9018	Drive Shaft	28	37	771	
	1999.07-2002.04	MT	L	Box	DJ5TED	C9018A	Drive Shaft	28	37	771	54T
	1999.07-2002.04	MT	L	Box	DJ5TED	C9015	Drive Shaft	28	41	757.5	
	1999.07-2002.04	MT	L	Box	DJ5TED	C9015A	Drive Shaft	28	41	757.5	54T
	1999.07-2002.04	MT	L	Box	DJ5TED	C810	Inner Joint		41		
	1999.07-2002.04	MT	L	Box	DJ5TED	C9012A	Drive Shaft	35	41	762	54T
	1999.07-2002.04	MT	L	Box	DJ5TED	C807	Inner Joint		41		
	1999.07-2002.04	MT	R	Box	DJ5TED	C9017	Drive Shaft	28	37	1072	
	1999.07-2002.04	MT	R	Box	DJ5TED	C9017A	Drive Shaft	28	37	1072	54T
	1999.07-2002.04	MT	L	Box	DJ5TED	C816	Inner Joint		41		
	1999.07-2002.04	MT	R	Box	DJ5TED	C817	Inner Joint		41		
	1999.07-2002.04	MT	R	Box	DJ5TED	C9016	Drive Shaft	28	41	1079	
	1999.07-2002.04	MT	R	Box	DJ5TED	C9016A	Drive Shaft	28	41	1079	54T
	1999.07-2002.04	MT	R	Box	DJ5TED	C811	Inner Joint		41		
	1999.07-2002.04	MT	R	Box	DJ5TED	C9011	Drive Shaft	35	41	1085	
	1999.07-2002.04	MT	R	Box	DJ5TED	C806	Inner Joint		41		

Model	Year	Gearbox	Side	Body	Engine	Index	Product	Specification			
								A	B	C	ABS
	1999.07-2002.04	MT	R	Box	DJ5TED	C9011A	Drive Shaft	35	41	1085	54T
2.8 HDi (94 kW)	2000.11-2002.04	MT		Box	F28DTCR	C115A	Outer Joint	35	45	190	54T
	2000.11-2002.04	MT		Box	F28DTCR	C115	Outer Joint	35	45	190	
	2000.11.2002.04	MT	L	Box	F28DTCR	C9012A	Drive Shaft	35	41	762	54T
	2000.11.2002.04	MT	L	Box	F28DTCR	C807	Inner Joint		41		
	2000.11-2002.04	MT	R	Box	F28DTCR	C9011	Drive Shaft	35	41	1085	
	2000.11-2002.04	MT	R	Box	F28DTCR	C806	Inner Joint		41		
	2000.11-2002.04	MT	R	Box	F28DTCR	C9011A	Drive Shaft	35	41	1085	54T
BOXER (230P)											
1.9 D (51 kW)	1994.03-2002.04	MT		Bus	XUD9	C115A	Outer Joint	35	45	190	54T
	1994.03-2002.04	MT		Bus	XUD9	C115	Outer Joint	35	45	190	
	1994.03-2002.04	MT		Bus	XUD9	C908A	Outer Joint	28	39	176	54T
	1994.03-2002.04	MT		Bus	XUD9	C908	Outer Joint	28	39	176	
	1994.03-2002.04	MT	L	Bus	XUD9	C9018	Drive Shaft	28	37	771	
	1994.03-2002.04	MT	L	Bus	XUD9	C9018A	Drive Shaft	28	37	771	54T
	1994.03-2002.04	MT	L	Bus	XUD9	C9015	Drive Shaft	28	41	757.5	
	1994.03-2002.04	MT	L	Bus	XUD9	C9015A	Drive Shaft	28	41	757.5	54T
	1994.03-2002.04	MT	L	Bus	XUD9	C810	Inner Joint		41		
	1994.03-2002.04	MT	L	Bus	XUD9	C9012A	Drive Shaft	35	41	762	54T
	1994.03-2002.04	MT	L	Bus	XUD9	C807	Inner Joint		41		
	1994.03-2002.04	MT	R	Bus	XUD9	C9017	Drive Shaft	28	37	1072	
	1994.03-2002.04	MT	R	Bus	XUD9	C9017A	Drive Shaft	28	37	1072	54T
	1999.07-2002.04	MT	L	Box	DJ5TED	C816	Inner Joint		41		
	1994.03-2002.04	MT	R	Bus	XUD9	C817	Inner Joint		41		
	1994.03-2002.04	MT	R	Bus	XUD9	C9016	Drive Shaft	28	41	1079	
	1994.03-2002.04	MT	R	Bus	XUD9	C9016A	Drive Shaft	28	41	1079	54T
	1994.03-2002.04	MT	R	Bus	XUD9	C811	Inner Joint		41		
	1994.03-2002.04	MT	R	Bus	XUD9	C9011	Drive Shaft	35	41	1085	
	1994.03-2002.04	MT	R	Bus	XUD9	C806	Inner Joint		41		
1994.03-2002.04	MT	R	Bus	XUD9	C9011A	Drive Shaft	35	41	1085	54T	
1.9 TD (66 kW)	1994.08-2002.04	MT		Bus	XUD9	C115A	Outer Joint	35	45	190	54T
	1994.08-2002.04	MT		Bus	XUD9	C115	Outer Joint	35	45	190	
	1994.08-2002.04	MT		Bus	XUD9	C908A	Outer Joint	28	39	176	54T
	1994.08-2002.04	MT		Bus	XUD9	C908	Outer Joint	28	39	176	
	1994.08-2002.04	MT	L	Bus	XUD9	C9018	Drive Shaft	28	37	771	
	1994.08-2002.04	MT	L	Bus	XUD9	C9018A	Drive Shaft	28	37	771	54T
	1994.08-2002.04	MT	L	Bus	XUD9	C9015	Drive Shaft	28	41	757.5	
	1994.08-2002.04	MT	L	Bus	XUD9	C9015A	Drive Shaft	28	41	757.5	54T
	1994.08-2002.04	MT	L	Bus	XUD9	C810	Inner Joint		41		
	1994.08-2002.04	MT	L	Bus	XUD9	C9012A	Drive Shaft	35	41	762	54T
	1994.08-2002.04	MT	L	Bus	XUD9	C807	Inner Joint		41		
	1994.08-2002.04	MT	R	Bus	XUD9	C9017	Drive Shaft	28	37	1072	
	1994.08-2002.04	MT	R	Bus	XUD9	C9017A	Drive Shaft	28	37	1072	54T
	1994.08-2002.04	MT	L	Bus	XUD9	C816	Inner Joint		41		
	1994.08-2002.04	MT	R	Bus	XUD9	C817	Inner Joint		41		
	1994.08-2002.04	MT	R	Bus	XUD9	C9016	Drive Shaft	28	41	1079	
	1994.08-2002.04	MT	R	Bus	XUD9	C9016A	Drive Shaft	28	41	1079	54T
	1994.08-2002.04	MT	R	Bus	XUD9	C811	Inner Joint		41		
	1994.08-2002.04	MT	R	Bus	XUD9	C9011	Drive Shaft	35	41	1085	

Model	Year	Gearbox	Side	Body	Engine	Index	Product	Specification			
								A	B	C	ABS
	1994.08-2002.04	MT	R	Bus	XUD9	C806	Inner Joint		41		
	1994.08-2002.04	MT	R	Bus	XUD9	C9011A	Drive Shaft	35	41	1085	54T
1.9 TD (68 kW)	1994.03-2002.04	MT		Bus	XUD9	C115A	Outer Joint	35	45	190	54T
	1994.03-2002.04	MT		Bus	XUD9	C115	Outer Joint	35	45	190	
	1994.03-2002.04	MT		Bus	XUD9	C908A	Outer Joint	28	39	176	54T
	1994.03-2002.04	MT		Bus	XUD9	C908	Outer Joint	28	39	176	
	1994.03-2002.04	MT	L	Bus	XUD9	C9018	Drive Shaft	28	37	771	
	1994.03-2002.04	MT	L	Bus	XUD9	C9018A	Drive Shaft	28	37	771	54T
	1994.03-2002.04	MT	L	Bus	XUD9	C9015	Drive Shaft	28	41	757.5	
	1994.03-2002.04	MT	L	Bus	XUD9	C9015A	Drive Shaft	28	41	757.5	54T
	1994.03-2002.04	MT	L	Bus	XUD9	C810	Inner Joint		41		
	1994.03-2002.04	MT	L	Bus	XUD9	C9012A	Drive Shaft	35	41	762	54T
	1994.03-2002.04	MT	L	Bus	XUD9	C807	Inner Joint		41		
	1994.03-2002.04	MT	R	Bus	XUD9	C9017	Drive Shaft	28	37	1072	
	1994.03-2002.04	MT	R	Bus	XUD9	C9017A	Drive Shaft	28	37	1072	54T
	1994.03-2002.04	MT	L	Bus	XUD9	C816	Inner Joint		41		
	1994.03-2002.04	MT	R	Bus	XUD9	C817	Inner Joint		41		
	1994.03-2002.04	MT	R	Bus	XUD9	C9016	Drive Shaft	28	41	1079	
	1994.03-2002.04	MT	R	Bus	XUD9	C9016A	Drive Shaft	28	41	1079	54T
	1994.03-2002.04	MT	R	Bus	XUD9	C811	Inner Joint		41		
	1994.03-2002.04	MT	R	Bus	XUD9	C9011	Drive Shaft	35	41	1085	
	1994.03-2002.04	MT	R	Bus	XUD9	C806	Inner Joint		41		
1994.03-2002.04	MT	R	Bus	XUD9	C9011A	Drive Shaft	35	41	1085	54T	
1.9 TD 4WD (68 kW)	1996.07-2002.04	MT		Bus	XUD9	C115A	Outer Joint	35	45	190	54T
	1996.07-2002.04	MT		Bus	XUD9	C115	Outer Joint	35	45	190	
	1996.07-2002.04	MT		Bus	XUD9	C908A	Outer Joint	28	39	176	54T
	1996.07-2002.04	MT		Bus	XUD9	C908	Outer Joint	28	39	176	
	1996.07-2002.04	MT	L	Bus	XUD9	C9018	Drive Shaft	28	37	771	
	1996.07-2002.04	MT	L	Bus	XUD9	C9018A	Drive Shaft	28	37	771	54T
	1996.07-2002.04	MT	L	Bus	XUD9	C9015	Drive Shaft	28	41	757.5	
	1996.07-2002.04	MT	L	Bus	XUD9	C9015A	Drive Shaft	28	41	757.5	54T
	1996.07-2002.04	MT	L	Bus	XUD9	C810	Inner Joint		41		
	1996.07-2002.04	MT	L	Bus	XUD9	C9012A	Drive Shaft	35	41	762	54T
	1996.07-2002.04	MT	L	Bus	XUD9	C807	Inner Joint		41		
	1996.07-2002.04	MT	R	Bus	XUD9	C9017	Drive Shaft	28	37	1072	
	1996.07-2002.04	MT	R	Bus	XUD9	C9017A	Drive Shaft	28	37	1072	54T
	1996.07-2002.04	MT	L	Bus	XUD9	C816	Inner Joint		41		
	1996.07-2002.04	MT	R	Bus	XUD9	C817	Inner Joint		41		
	1996.07-2002.04	MT	R	Bus	XUD9	C9016	Drive Shaft	28	41	1079	
	1996.07-2002.04	MT	R	Bus	XUD9	C9016A	Drive Shaft	28	41	1079	54T
	1996.07-2002.04	MT	R	Bus	XUD9	C811	Inner Joint		41		
	1996.07-2002.04	MT	R	Bus	XUD9	C9011	Drive Shaft	35	41	1085	
	1996.07-2002.04	MT	R	Bus	XUD9	C806	Inner Joint		41		
1996.07-2002.04	MT	R	Bus	XUD9	C9011A	Drive Shaft	35	41	1085	54T	
2.0 i (80 kW)	1994.03-2002.04	MT		Bus	XU10	C115A	Outer Joint	35	45	190	54T
	1994.03-2002.04	MT		Bus	XU10	C115	Outer Joint	35	45	190	
	1994.03-2002.04	MT		Bus	XU10	C908A	Outer Joint	28	39	176	54T
	1994.03-2002.04	MT		Bus	XU10	C908	Outer Joint	28	39	176	
	1994.03-2002.04	MT	L	Bus	XU10	C9018	Drive Shaft	28	37	771	

Model	Year	Gearbox	Side	Body	Engine	Index	Product	Specification			
								A	B	C	ABS
	1994.03-2002.04	MT	L	Bus	XU10	C9018A	Drive Shaft	28	37	771	54T
	1994.03-2002.04	MT	L	Bus	XU10	C9015	Drive Shaft	28	41	757.5	
	1994.03-2002.04	MT	L	Bus	XU10	C9015A	Drive Shaft	28	41	757.5	54T
	1994.03-2002.04	MT	L	Bus	XU10	C810	Inner Joint		41		
	1994.03-2002.04	MT	L	Bus	XU10	C9012A	Drive Shaft	35	41	762	54T
	1994.03-2002.04	MT	L	Bus	XU10	C807	Inner Joint		41		
	1994.03-2002.04	MT	R	Bus	XU10	C9017	Drive Shaft	28	37	1072	
	1994.03-2002.04	MT	R	Bus	XU10	C9017A	Drive Shaft	28	37	1072	54T
	1994.03-2002.04	MT	L	Bus	XU10	C816	Inner Joint		41		
	1994.03-2002.04	MT	R	Bus	XU10	C817	Inner Joint		41		
	1994.03-2002.04	MT	R	Bus	XU10	C9016	Drive Shaft	28	41	1079	
	1994.03-2002.04	MT	R	Bus	XU10	C9016A	Drive Shaft	28	41	1079	54T
	1994.03-2002.04	MT	R	Bus	XU10	C811	Inner Joint		41		
	1994.03-2002.04	MT	R	Bus	XU10	C9011	Drive Shaft	35	41	1085	
	1994.03-2002.04	MT	R	Bus	XU10	C806	Inner Joint		41		
	1994.03-2002.04	MT	R	Bus	XU10	C9011A	Drive Shaft	35	41	1085	54T
2.0 i 4WD (80 kW)	1996.08-2002.04	MT		Bus	XU10	C115A	Outer Joint	35	45	190	54T
	1996.08-2002.04	MT		Bus	XU10	C115	Outer Joint	35	45	190	
	1996.08-2002.04	MT		Bus	XU10	C908A	Outer Joint	28	39	176	54T
	1996.08-2002.04	MT		Bus	XU10	C908	Outer Joint	28	39	176	
	1996.08-2002.04	MT	L	Bus	XU10	C9018	Drive Shaft	28	37	771	
	1996.08-2002.04	MT	L	Bus	XU10	C9018A	Drive Shaft	28	37	771	54T
	1996.08-2002.04	MT	L	Bus	XU10	C9015	Drive Shaft	28	41	757.5	
	1996.08-2002.04	MT	L	Bus	XU10	C9015A	Drive Shaft	28	41	757.5	54T
	1996.08-2002.04	MT	L	Bus	XU10	C810	Inner Joint		41		
	1996.08-2002.04	MT	L	Bus	XU10	C9012A	Drive Shaft	35	41	762	54T
	1996.08-2002.04	MT	L	Bus	XU10	C807	Inner Joint		41		
	1996.08-2002.04	MT	R	Bus	XU10	C9017	Drive Shaft	28	37	1072	
	1996.08-2002.04	MT	R	Bus	XU10	C9017A	Drive Shaft	28	37	1072	54T
	1996.08-2002.04	MT	L	Bus	XU10	C816	Inner Joint		41		
	1996.08-2002.04	MT	R	Bus	XU10	C817	Inner Joint		41		
	1996.08-2002.04	MT	R	Bus	XU10	C9016	Drive Shaft	28	41	1079	
	1996.08-2002.04	MT	R	Bus	XU10	C9016A	Drive Shaft	28	41	1079	54T
	1996.08-2002.04	MT	R	Bus	XU10	C811	Inner Joint		41		
	1996.08-2002.04	MT	R	Bus	XU10	C9011	Drive Shaft	35	41	1085	
	1996.08-2002.04	MT	R	Bus	XU10	C806	Inner Joint		41		
	1996.08-2002.04	MT	R	Bus	XU10	C9011A	Drive Shaft	35	41	1085	54T
2.5 D (63 kW)	1994.08-2002.04	MT		Bus	DJ5	C115A	Outer Joint	35	45	190	54T
	1994.08-2002.04	MT		Bus	DJ5	C115	Outer Joint	35	45	190	
	1994.08-2002.04	MT		Bus	DJ5	C908A	Outer Joint	28	39	176	54T
	1994.08-2002.04	MT		Bus	DJ5	C908	Outer Joint	28	39	176	
	1994.08-2002.04	MT	L	Bus	DJ5	C9018	Drive Shaft	28	37	771	
	1994.08-2002.04	MT	L	Bus	DJ5	C9018A	Drive Shaft	28	37	771	54T
	1994.08-2002.04	MT	L	Bus	DJ5	C9015	Drive Shaft	28	41	757.5	
	1994.08-2002.04	MT	L	Bus	DJ5	C9015A	Drive Shaft	28	41	757.5	54T
	1994.08-2002.04	MT	L	Bus	DJ5	C810	Inner Joint		41		
	1994.08-2002.04	MT	L	Bus	DJ5	C9012A	Drive Shaft	35	41	762	54T
	1994.08-2002.04	MT	L	Bus	DJ5	C807	Inner Joint		41		
	1994.08-2002.04	MT	R	Bus	DJ5	C9017	Drive Shaft	28	37	1072	

Model	Year	Gearbox	Side	Body	Engine	Index	Product	Specification			
								A	B	C	ABS
	1994.08-2002.04	MT	R	Bus	DJ5	C9017A	Drive Shaft	28	37	1072	54T
	1994.08-2002.04	MT	L	Bus	DJ5	C816	Inner Joint		41		
	1994.08-2002.04	MT	R	Bus	DJ5	C817	Inner Joint		41		
	1994.08-2002.04	MT	R	Bus	DJ5	C9016	Drive Shaft	28	41	1079	
	1994.08-2002.04	MT	R	Bus	DJ5	C9016A	Drive Shaft	28	41	1079	54T
	1994.08-2002.04	MT	R	Bus	DJ5	C811	Inner Joint		41		
	1994.08-2002.04	MT	R	Bus	DJ5	C9011	Drive Shaft	35	41	1085	
	1994.08-2002.04	MT	R	Bus	DJ5	C806	Inner Joint		41		
	1994.08-2002.04	MT	R	Bus	DJ5	C9011A	Drive Shaft	35	41	1085	54T
2.5 D 4WD (63 kW)	1996.07-2002.04	MT		Bus	DJ5	C115A	Outer Joint	35	45	190	54T
	1996.07-2002.04	MT		Bus	DJ5	C115	Outer Joint	35	45	190	
	1996.07-2002.04	MT		Bus	DJ5	C908A	Outer Joint	28	39	176	54T
	1996.07-2002.04	MT		Bus	DJ5	C908	Outer Joint	28	39	176	
	1996.07-2002.04	MT	L	Bus	DJ5	C9018	Drive Shaft	28	37	771	
	1996.07-2002.04	MT	L	Bus	DJ5	C9018A	Drive Shaft	28	37	771	54T
	1996.07-2002.04	MT	L	Bus	DJ5	C9015	Drive Shaft	28	41	757.5	
	1996.07-2002.04	MT	L	Bus	DJ5	C9015A	Drive Shaft	28	41	757.5	54T
	1996.07-2002.04	MT	L	Bus	DJ5	C810	Inner Joint		41		
	1996.07-2002.04	MT	L	Bus	DJ5	C9012A	Drive Shaft	35	41	762	54T
	1996.07-2002.04	MT	L	Bus	DJ5	C807	Inner Joint		41		
	1996.07-2002.04	MT	R	Bus	DJ5	C9017	Drive Shaft	28	37	1072	
	1996.07-2002.04	MT	R	Bus	DJ5	C9017A	Drive Shaft	28	37	1072	54T
	1996.07-2002.04	MT	L	Bus	DJ5	C816	Inner Joint		41		
	1996.07-2002.04	MT	R	Bus	DJ5	C817	Inner Joint		41		
	1996.07-2002.04	MT	R	Bus	DJ5	C9016	Drive Shaft	28	41	1079	
	1996.07-2002.04	MT	R	Bus	DJ5	C9016A	Drive Shaft	28	41	1079	54T
	1996.07-2002.04	MT	R	Bus	DJ5	C811	Inner Joint		41		
	1996.07-2002.04	MT	R	Bus	DJ5	C9011	Drive Shaft	35	41	1085	
	1996.07-2002.04	MT	R	Bus	DJ5	C806	Inner Joint		41		
1996.07-2002.04	MT	R	Bus	DJ5	C9011A	Drive Shaft	35	41	1085	54T	
2.5 TD (76 kW)	1994.07-2002.04	MT		Bus	DJ5T	C115A	Outer Joint	35	45	190	54T
	1994.07-2002.04	MT		Bus	DJ5T	C115	Outer Joint	35	45	190	
	1994.07-2002.04	MT		Bus	DJ5T	C908A	Outer Joint	28	39	176	54T
	1994.07-2002.04	MT		Bus	DJ5T	C908	Outer Joint	28	39	176	
	1994.07-2002.04	MT	L	Bus	DJ5T	C9018	Drive Shaft	28	37	771	
	1994.07-2002.04	MT	L	Bus	DJ5T	C9018A	Drive Shaft	28	37	771	54T
	1994.07-2002.04	MT	L	Bus	DJ5T	C9015	Drive Shaft	28	41	757.5	
	1994.07-2002.04	MT	L	Bus	DJ5T	C9015A	Drive Shaft	28	41	757.5	54T
	1994.07-2002.04	MT	L	Bus	DJ5T	C810	Inner Joint		41		
	1994.07-2002.04	MT	L	Bus	DJ5T	C9012A	Drive Shaft	35	41	762	54T
	1994.07-2002.04	MT	L	Bus	DJ5T	C807	Inner Joint		41		
	1994.07-2002.04	MT	R	Bus	DJ5T	C9017	Drive Shaft	28	37	1072	
	1994.07-2002.04	MT	R	Bus	DJ5T	C9017A	Drive Shaft	28	37	1072	54T
	1994.07-2002.04	MT	L	Bus	DJ5T	C816	Inner Joint		41		
	1994.07-2002.04	MT	R	Bus	DJ5T	C817	Inner Joint		41		
	1994.07-2002.04	MT	R	Bus	DJ5T	C9016	Drive Shaft	28	41	1079	
	1994.07-2002.04	MT	R	Bus	DJ5T	C9016A	Drive Shaft	28	41	1079	54T
	1994.07-2002.04	MT	R	Bus	DJ5T	C811	Inner Joint		41		
	1994.07-2002.04	MT	R	Bus	DJ5T	C9011	Drive Shaft	35	41	1085	

Model	Year	Gearbox	Side	Body	Engine	Index	Product	Specification			
								A	B	C	ABS
	1994.07-2002.04	MT	R	Bus	DJ5T	C806	Inner Joint		41		
	1994.07-2002.04	MT	R	Bus	DJ5T	C9011A	Drive Shaft	35	41	1085	54T
2.5 TD 4WD (76 kW)	1996.07-2002.04	MT		Bus	DJ5T	C115A	Outer Joint	35	45	190	54T
	1996.07-2002.04	MT		Bus	DJ5T	C115	Outer Joint	35	45	190	
	1996.07-2002.04	MT		Bus	DJ5T	C908A	Outer Joint	28	39	176	54T
	1996.07-2002.04	MT		Bus	DJ5T	C908	Outer Joint	28	39	176	
	1996.07-2002.04	MT	L	Bus	DJ5T	C9018	Drive Shaft	28	37	771	
	1996.07-2002.04	MT	L	Bus	DJ5T	C9018A	Drive Shaft	28	37	771	54T
	1996.07-2002.04	MT	L	Bus	DJ5T	C9015	Drive Shaft	28	41	757.5	
	1996.07-2002.04	MT	L	Bus	DJ5T	C9015A	Drive Shaft	28	41	757.5	54T
	1996.07-2002.04	MT	L	Bus	DJ5T	C810	Inner Joint		41		
	1996.07-2002.04	MT	L	Bus	DJ5T	C9012A	Drive Shaft	35	41	762	54T
	1996.07-2002.04	MT	L	Bus	DJ5T	C807	Inner Joint		41		
	1996.07-2002.04	MT	R	Bus	DJ5T	C9017	Drive Shaft	28	37	1072	
	1996.07-2002.04	MT	R	Bus	DJ5T	C9017A	Drive Shaft	28	37	1072	54T
	1996.07-2002.04	MT	L	Bus	DJ5T	C816	Inner Joint		41		
	1996.07-2002.04	MT	R	Bus	DJ5T	C817	Inner Joint		41		
	1996.07-2002.04	MT	R	Bus	DJ5T	C9016	Drive Shaft	28	41	1079	
	1996.07-2002.04	MT	R	Bus	DJ5T	C9016A	Drive Shaft	28	41	1079	54T
	1996.07-2002.04	MT	R	Bus	DJ5T	C811	Inner Joint		41		
	1996.07-2002.04	MT	R	Bus	DJ5T	C9011	Drive Shaft	35	41	1085	
	1996.07-2002.04	MT	R	Bus	DJ5T	C806	Inner Joint		41		
1996.07-2002.04	MT	R	Bus	DJ5T	C9011A	Drive Shaft	35	41	1085	54T	
2.5 TDi (79 kW)	1997.01-2002.04	MT		Bus	DJ5TED	C115A	Outer Joint	35	45	190	54T
	1997.01-2002.04	MT		Bus	DJ5TED	C115	Outer Joint	35	45	190	
	1997.01-2002.04	MT		Bus	DJ5TED	C908A	Outer Joint	28	39	176	54T
	1997.01-2002.04	MT		Bus	DJ5TED	C908	Outer Joint	28	39	176	
	1997.01-2002.04	MT	L	Bus	DJ5TED	C9018	Drive Shaft	28	37	771	
	1997.01-2002.04	MT	L	Bus	DJ5TED	C9018A	Drive Shaft	28	37	771	54T
	1997.01-2002.04	MT	L	Bus	DJ5TED	C9015	Drive Shaft	28	41	757.5	
	1997.01-2002.04	MT	L	Bus	DJ5TED	C9015A	Drive Shaft	28	41	757.5	54T
	1997.01-2002.04	MT	L	Bus	DJ5TED	C810	Inner Joint		41		
	1997.01-2002.04	MT	L	Bus	DJ5TED	C9012A	Drive Shaft	35	41	762	54T
	1997.01-2002.04	MT	L	Bus	DJ5TED	C807	Inner Joint		41		
	1997.01-2002.04	MT	R	Bus	DJ5TED	C9017	Drive Shaft	28	37	1072	
	1997.01-2002.04	MT	R	Bus	DJ5TED	C9017A	Drive Shaft	28	37	1072	54T
	1997.01-2002.04	MT	L	Bus	DJ5TED	C816	Inner Joint		41		
	1997.01-2002.04	MT	R	Bus	DJ5TED	C817	Inner Joint		41		
	1997.01-2002.04	MT	R	Bus	DJ5TED	C9016	Drive Shaft	28	41	1079	
	1997.01-2002.04	MT	R	Bus	DJ5TED	C9016A	Drive Shaft	28	41	1079	54T
	1997.01-2002.04	MT	R	Bus	DJ5TED	C811	Inner Joint		41		
	1997.01-2002.04	MT	R	Bus	DJ5TED	C9011	Drive Shaft	35	41	1085	
	1997.01-2002.04	MT	R	Bus	DJ5TED	C806	Inner Joint		41		
1997.01-2002.04	MT	R	Bus	DJ5TED	C9011A	Drive Shaft	35	41	1085	54T	
2.5 TDi 4WD (79 kW)	1997.01-2002.04	MT		Bus	DJ5TED	C115A	Outer Joint	35	45	190	54T
	1997.01-2002.04	MT		Bus	DJ5TED	C115	Outer Joint	35	45	190	
	1997.01-2002.04	MT		Bus	DJ5TED	C908A	Outer Joint	28	39	176	54T
	1997.01-2002.04	MT		Bus	DJ5TED	C908	Outer Joint	28	39	176	
	1997.01-2002.04	MT	L	Bus	DJ5TED	C9018	Drive Shaft	28	37	771	

Model	Year	Gearbox	Side	Body	Engine	Index	Product	Specification			
								A	B	C	ABS
	1997.01-2002.04	MT	L	Bus	DJ5TED	C9018A	Drive Shaft	28	37	771	54T
	1997.01-2002.04	MT	L	Bus	DJ5TED	C9015	Drive Shaft	28	41	757.5	
	1997.01-2002.04	MT	L	Bus	DJ5TED	C9015A	Drive Shaft	28	41	757.5	54T
	1997.01-2002.04	MT	L	Bus	DJ5TED	C810	Inner Joint		41		
	1997.01-2002.04	MT	L	Bus	DJ5TED	C9012A	Drive Shaft	35	41	762	54T
	1997.01-2002.04	MT	L	Bus	DJ5TED	C807	Inner Joint		41		
	1997.01-2002.04	MT	R	Bus	DJ5TED	C9017	Drive Shaft	28	37	1072	
	1997.01-2002.04	MT	R	Bus	DJ5TED	C9017A	Drive Shaft	28	37	1072	54T
	1997.01-2002.04	MT	L	Bus	DJ5TED	C816	Inner Joint		41		
	1997.01-2002.04	MT	R	Bus	DJ5TED	C817	Inner Joint		41		
	1997.01-2002.04	MT	R	Bus	DJ5TED	C9016	Drive Shaft	28	41	1079	
	1997.01-2002.04	MT	R	Bus	DJ5TED	C9016A	Drive Shaft	28	41	1079	54T
	1997.01-2002.04	MT	R	Bus	DJ5TED	C811	Inner Joint		41		
	1997.01-2002.04	MT	R	Bus	DJ5TED	C9011	Drive Shaft	35	41	1085	
	1997.01-2002.04	MT	R	Bus	DJ5TED	C806	Inner Joint		41		
	1997.01-2002.04	MT	R	Bus	DJ5TED	C9011A	Drive Shaft	35	41	1085	54T
2.8 HDi (94 kW)	2000.11-2002.04	MT		Bus	F28DTCR	C115A	Outer Joint	35	45	190	54T
	2000.11-2002.04	MT		Bus	F28DTCR	C115	Outer Joint	35	45	190	
	2000.11-2002.04	MT	L	Bus	F28DTCR	C9012A	Drive Shaft	35	41	762	54T
	2000.11-2002.04	MT	L	Bus	F28DTCR	C807	Inner Joint		41		
	2000.11-2002.04	MT	R	Bus	F28DTCR	C9011	Drive Shaft	35	41	1085	
	2000.11-2002.04	MT	R	Bus	F28DTCR	C806	Inner Joint		41		
	2000.11-2002.04	MT	R	Bus	F28DTCR	C9011A	Drive Shaft	35	41	1085	54T
BOXER (244)											
2.0 (81 kW)	2002.04-	MT		Box	XU10	C115A	Outer Joint	35	45	190	54T
	2002.04-	MT		Box	XU10	C908A	Outer Joint	28	39	176	54T
2.0 HDi (62 kW)	2002.04-	MT		Box	DW10	C908A	Outer Joint	28	39	176	54T
	2002.04-	MT		Platform	DW10	C908A	Outer Joint	28	39	176	54T
2.8 HDi (94 kW)	2002.04-	MT		Box	F28DTCR	C115A	Outer Joint	35	45	190	54T
	2002.04-	MT		Box	F28DTCR	C908A	Outer Joint	28	39	176	54T
	2002.04-	MT		Platform	F28DTCR	C115A	Outer Joint	35	45	190	54T
	2002.04-	MT		Platform	F28DTCR	C908A	Outer Joint	28	39	176	54T
2.8 HDi 4WD (94 kW)	2002.04-	MT		Box	F28DTCR	C908A	Outer Joint	28	39	176	54T
	2002.04-	MT		Platform	F28DTCR	C908A	Outer Joint	28	39	176	54T
BOXER (244,Z_)											
2.0 (81 kW)	2002.04-	MT		Bus	XU10	C115A	Outer Joint	35	45	190	54T
	2002.04-	MT		Bus	XU10	C908A	Outer Joint	28	39	176	54T
2.0 HDi (62 kW)	2002.04-	MT		Bus	DW10	C908A	Outer Joint	28	39	176	54T
2.8 HDi (94 kW)	2002.04-	MT		Bus	F28DTCR	C115A	Outer Joint	35	45	190	54T
	2002.04-	MT		Bus	F28DTCR	C908A	Outer Joint	28	39	176	54T
2.8 HDi 4WD (94 kW)	2002.04-	MT		Bus	F28DTCR	C908A	Outer Joint	28	39	176	54T
BOXER (ZCT_)											
1.9 TD (66 kW)	1998.12-2002.04	MT		Platform	XUD9	C115A	Outer Joint	35	45	190	54T
	1998.12-2002.04	MT		Platform	XUD9	C115	Outer Joint	35	45	190	
	1998.12-2002.04	MT		Platform	XUD9	C908A	Outer Joint	28	39	176	54T
	1998.12-2002.04	MT		Platform	XUD9	C908	Outer Joint	28	39	176	
	1998.12-2002.04	MT	L	Platform	XUD9	C9018	Drive Shaft	28	37	771	
	1998.12-2002.04	MT	L	Platform	XUD9	C9018A	Drive Shaft	28	37	771	54T
	1998.12-2002.04	MT	L	Platform	XUD9	C9015	Drive Shaft	28	41	757.5	

Model	Year	Gearbox	Side	Body	Engine	Index	Product	Specification			
								A	B	C	ABS
	1998.12-2002.04	MT	L	Platform	XUD9	C9015A	Drive Shaft	28	41	757.5	54T
	1998.12-2002.04	MT	L	Platform	XUD9	C810	Inner Joint		41		
	1998.12-2002.04	MT	L	Platform	XUD9	C9012A	Drive Shaft	35	41	762	54T
	1998.12-2002.04	MT	L	Platform	XUD9	C807	Inner Joint		41		
	1998.12-2002.04	MT	R	Platform	XUD9	C9017	Drive Shaft	28	37	1072	
	1998.12-2002.04	MT	R	Platform	XUD9	C9017A	Drive Shaft	28	37	1072	54T
	1998.12-2002.04	MT	L	Platform	XUD9	C816	Inner Joint		41		
	1998.12-2002.04	MT	R	Platform	XUD9	C817	Inner Joint		41		
	1998.12-2002.04	MT	R	Platform	XUD9	C9016	Drive Shaft	28	41	1079	
	1998.12-2002.04	MT	R	Platform	XUD9	C9016A	Drive Shaft	28	41	1079	54T
	1998.12-2002.04	MT	R	Platform	XUD9	C811	Inner Joint		41		
	1998.12-2002.04	MT	R	Platform	XUD9	C9011	Drive Shaft	35	41	1085	
	1998.12-2002.04	MT	R	Platform	XUD9	C806	Inner Joint		41		
	1998.12-2002.04	MT	R	Platform	XUD9	C9011A	Drive Shaft	35	41	1085	54T
	1.9 TD (68 kW)	1996.07-2002.04	MT		Platform	XUD9	C115A	Outer Joint	35	45	190
1996.07-2002.04		MT		Platform	XUD9	C115	Outer Joint	35	45	190	
1996.07-2002.04		MT		Platform	XUD9	C908A	Outer Joint	28	39	176	54T
1996.07-2002.04		MT		Platform	XUD9	C908	Outer Joint	28	39	176	
1996.07-2002.04		MT	L	Platform	XUD9	C9018	Drive Shaft	28	37	771	
1996.07-2002.04		MT	L	Platform	XUD9	C9018A	Drive Shaft	28	37	771	54T
1996.07-2002.04		MT	L	Platform	XUD9	C9015	Drive Shaft	28	41	757.5	
1996.07-2002.04		MT	L	Platform	XUD9	C9015A	Drive Shaft	28	41	757.5	54T
1996.07-2002.04		MT	L	Platform	XUD9	C810	Inner Joint		41		
1996.07-2002.04		MT	L	Platform	XUD9	C9012A	Drive Shaft	35	41	762	54T
1996.07-2002.04		MT	L	Platform	XUD9	C807	Inner Joint		41		
1996.07-2002.04		MT	R	Platform	XUD9	C9017	Drive Shaft	28	37	1072	
1996.07-2002.04		MT	R	Platform	XUD9	C9017A	Drive Shaft	28	37	1072	54T
1996.07-2002.04		MT	L	Platform	XUD9	C816	Inner Joint		41		
1996.07-2002.04		MT	R	Platform	XUD9	C817	Inner Joint		41		
1996.07-2002.04		MT	R	Platform	XUD9	C9016	Drive Shaft	28	41	1079	
1996.07-2002.04		MT	R	Platform	XUD9	C9016A	Drive Shaft	28	41	1079	54T
1996.07-2002.04		MT	R	Platform	XUD9	C811	Inner Joint		41		
1996.07-2002.04		MT	R	Platform	XUD9	C9011	Drive Shaft	35	41	1085	
1996.07-2002.04		MT	R	Platform	XUD9	C806	Inner Joint		41		
1996.07-2002.04	MT	R	Platform	XUD9	C9011A	Drive Shaft	35	41	1085	54T	
2.0 i (80 kW)	1994.06-2002.04	MT		Platform	XU10	C115A	Outer Joint	35	45	190	54T
	1994.06-2002.04	MT		Platform	XU10	C115	Outer Joint	35	45	190	
	1994.06-2002.04	MT		Platform	XU10	C908A	Outer Joint	28	39	176	54T
	1994.06-2002.04	MT		Platform	XU10	C908	Outer Joint	28	39	176	
	1994.06-2002.04	MT	L	Platform	XU10	C9018	Drive Shaft	28	37	771	
	1994.06-2002.04	MT	L	Platform	XU10	C9018A	Drive Shaft	28	37	771	54T
	1994.06-2002.04	MT	L	Platform	XU10	C9015	Drive Shaft	28	41	757.5	
	1994.06-2002.04	MT	L	Platform	XU10	C9015A	Drive Shaft	28	41	757.5	54T
	1994.06-2002.04	MT	L	Platform	XU10	C810	Inner Joint		41		
	1994.06-2002.04	MT	L	Platform	XU10	C9012A	Drive Shaft	35	41	762	54T
	1994.06-2002.04	MT	L	Platform	XU10	C807	Inner Joint		41		
	1994.06-2002.04	MT	R	Platform	XU10	C9017	Drive Shaft	28	37	1072	
	1994.06-2002.04	MT	R	Platform	XU10	C9017A	Drive Shaft	28	37	1072	54T
	1994.06-2002.04	MT	L	Platform	XU10	C816	Inner Joint		41		

Model	Year	Gearbox	Side	Body	Engine	Index	Product	Specification			
								A	B	C	ABS
	1994.06-2002.04	MT	R	Platform	XU10	C817	Inner Joint		41		
	1994.06-2002.04	MT	R	Platform	XU10	C9016	Drive Shaft	28	41	1079	
	1994.06-2002.04	MT	R	Platform	XU10	C9016A	Drive Shaft	28	41	1079	54T
	1994.06-2002.04	MT	R	Platform	XU10	C811	Inner Joint		41		
	1994.06-2002.04	MT	R	Platform	XU10	C9011	Drive Shaft	35	41	1085	
	1994.06-2002.04	MT	R	Platform	XU10	C806	Inner Joint		41		
	1994.06-2002.04	MT	R	Platform	XU10	C9011A	Drive Shaft	35	41	1085	54T
2.5 D (63 kW)	1994.03-2002.04	MT		Platform	DJ5	C115A	Outer Joint	35	45	190	54T
	1994.03-2002.04	MT		Platform	DJ5	C115	Outer Joint	35	45	190	
	1994.03-2002.04	MT		Platform	DJ5	C908A	Outer Joint	28	39	176	54T
	1994.03-2002.04	MT		Platform	DJ5	C908	Outer Joint	28	39	176	
	1994.03-2002.04	MT	L	Platform	DJ5	C9018	Drive Shaft	28	37	771	
	1994.03-2002.04	MT	L	Platform	DJ5	C9018A	Drive Shaft	28	37	771	54T
	1994.03-2002.04	MT	L	Platform	DJ5	C9015	Drive Shaft	28	41	757.5	
	1994.03-2002.04	MT	L	Platform	DJ5	C9015A	Drive Shaft	28	41	757.5	54T
	1994.03-2002.04	MT	L	Platform	DJ5	C810	Inner Joint		41		
	1994.03-2002.04	MT	L	Platform	DJ5	C9012A	Drive Shaft	35	41	762	54T
	1994.03-2002.04	MT	L	Platform	DJ5	C807	Inner Joint		41		
	1994.03-2002.04	MT	R	Platform	DJ5	C9017	Drive Shaft	28	37	1072	
	1994.03-2002.04	MT	R	Platform	DJ5	C9017A	Drive Shaft	28	37	1072	54T
	1994.03-2002.04	MT	L	Platform	DJ5	C816	Inner Joint		41		
	1994.03-2002.04	MT	L	Platform	DJ5	C816	Inner Joint		41		
	1994.03-2002.04	MT	R	Platform	DJ5	C817	Inner Joint		41		
	1994.03-2002.04	MT	R	Platform	DJ5	C9016	Drive Shaft	28	41	1079	
	1994.03-2002.04	MT	R	Platform	DJ5	C9016A	Drive Shaft	28	41	1079	54T
	1994.03-2002.04	MT	R	Platform	DJ5	C811	Inner Joint		41		
	1994.03-2002.04	MT	R	Platform	DJ5	C9011	Drive Shaft	35	41	1085	
1994.03-2002.04	MT	R	Platform	DJ5	C806	Inner Joint		41			
1994.03-2002.04	MT	R	Platform	DJ5	C9011A	Drive Shaft	35	41	1085	54T	
2.5 D 4WD (63 kW)	1999.07-2002.04	MT		Platform	DJ5	C115A	Outer Joint	35	45	190	54T
	1999.07-2002.04	MT		Platform	DJ5	C115	Outer Joint	35	45	190	
	1999.07-2002.04	MT		Platform	DJ5	C908A	Outer Joint	28	39	176	54T
	1999.07-2002.04	MT		Platform	DJ5	C908	Outer Joint	28	39	176	
	1999.07-2002.04	MT	L	Platform	DJ5	C9018	Drive Shaft	28	37	771	
	1999.07-2002.04	MT	L	Platform	DJ5	C9018A	Drive Shaft	28	37	771	54T
	1999.07-2002.04	MT	L	Platform	DJ5	C9015	Drive Shaft	28	41	757.5	
	1999.07-2002.04	MT	L	Platform	DJ5	C9015A	Drive Shaft	28	41	757.5	54T
	1999.07-2002.04	MT	L	Platform	DJ5	C810	Inner Joint		41		
	1999.07-2002.04	MT	L	Platform	DJ5	C9012A	Drive Shaft	35	41	762	54T
	1999.07-2002.04	MT	L	Platform	DJ5	C807	Inner Joint		41		
	1999.07-2002.04	MT	R	Platform	DJ5	C9017	Drive Shaft	28	37	1072	
	1999.07-2002.04	MT	R	Platform	DJ5	C9017A	Drive Shaft	28	37	1072	54T
	1999.07-2002.04	MT	L	Platform	DJ5	C816	Inner Joint		41		
	1999.07-2002.04	MT	R	Platform	DJ5	C817	Inner Joint		41		
	1999.07-2002.04	MT	R	Platform	DJ5	C9016	Drive Shaft	28	41	1079	
	1999.07-2002.04	MT	R	Platform	DJ5	C9016A	Drive Shaft	28	41	1079	54T
	1999.07-2002.04	MT	R	Platform	DJ5	C811	Inner Joint		41		
	1999.07-2002.04	MT	R	Platform	DJ5	C9011	Drive Shaft	35	41	1085	
	1999.07-2002.04	MT	R	Platform	DJ5	C806	Inner Joint		41		

Model	Year	Gearbox	Side	Body	Engine	Index	Product	Specification			
								A	B	C	ABS
	1999.07-2002.04	MT	R	Platform	DJ5	C9011A	Drive Shaft	35	41	1085	54T
2.5 TD (76 kW)	1994.03-2002.04	MT		Platform	DJ5T	C115A	Outer Joint	35	45	190	54T
	1994.03-2002.04	MT		Platform	DJ5T	C115	Outer Joint	35	45	190	
	1994.03-2002.04	MT		Platform	DJ5T	C908A	Outer Joint	28	39	176	54T
	1994.03-2002.04	MT		Platform	DJ5T	C908	Outer Joint	28	39	176	
	1994.03-2002.04	MT	L	Platform	DJ5T	C9018	Drive Shaft	28	37	771	
	1994.03-2002.04	MT	L	Platform	DJ5T	C9018A	Drive Shaft	28	37	771	54T
	1994.03-2002.04	MT	L	Platform	DJ5T	C9015	Drive Shaft	28	41	757.5	
	1994.03-2002.04	MT	L	Platform	DJ5T	C9015A	Drive Shaft	28	41	757.5	54T
	1994.03-2002.04	MT	L	Platform	DJ5T	C810	Inner Joint		41		
	1994.03-2002.04	MT	L	Platform	DJ5T	C9012A	Drive Shaft	35	41	762	54T
	1994.03-2002.04	MT	L	Platform	DJ5T	C807	Inner Joint		41		
	1994.03-2002.04	MT	R	Platform	DJ5T	C9017	Drive Shaft	28	37	1072	
	1994.03-2002.04	MT	R	Platform	DJ5T	C9017A	Drive Shaft	28	37	1072	54T
	1994.03-2002.04	MT	L	Platform	DJ5T	C816	Inner Joint		41		
	1994.03-2002.04	MT	R	Platform	DJ5T	C817	Inner Joint		41		
	1994.03-2002.04	MT	R	Platform	DJ5T	C9016	Drive Shaft	28	41	1079	
	1994.03-2002.04	MT	R	Platform	DJ5T	C9016A	Drive Shaft	28	41	1079	54T
	1994.03-2002.04	MT	R	Platform	DJ5T	C811	Inner Joint		41		
	1994.03-2002.04	MT	R	Platform	DJ5T	C9011	Drive Shaft	35	41	1085	
	1994.03-2002.04	MT	R	Platform	DJ5T	C806	Inner Joint		41		
1994.03-2002.04	MT	R	Platform	DJ5T	C9011A	Drive Shaft	35	41	1085	54T	
2.5 TDi (79 kW)	1997.01-2002.04	MT		Platform	DJ5TED	C115A	Outer Joint	35	45	190	54T
	1997.01-2002.04	MT		Platform	DJ5TED	C115	Outer Joint	35	45	190	
	1997.01-2002.04	MT		Platform	DJ5TED	C908A	Outer Joint	28	39	176	54T
	1997.01-2002.04	MT		Platform	DJ5TED	C908	Outer Joint	28	39	176	
	1997.01-2002.04	MT	L	Platform	DJ5TED	C9018	Drive Shaft	28	37	771	
	1997.01-2002.04	MT	L	Platform	DJ5TED	C9018A	Drive Shaft	28	37	771	54T
	1997.01-2002.04	MT	L	Platform	DJ5TED	C9015	Drive Shaft	28	41	757.5	
	1997.01-2002.04	MT	L	Platform	DJ5TED	C9015A	Drive Shaft	28	41	757.5	54T
	1997.01-2002.04	MT	L	Platform	DJ5TED	C810	Inner Joint		41		
	1997.01-2002.04	MT	L	Platform	DJ5TED	C9012A	Drive Shaft	35	41	762	54T
	1997.01-2002.04	MT	L	Platform	DJ5TED	C807	Inner Joint		41		
	1997.01-2002.04	MT	R	Platform	DJ5TED	C9017	Drive Shaft	28	37	1072	
	1997.01-2002.04	MT	R	Platform	DJ5TED	C9017A	Drive Shaft	28	37	1072	54T
	1997.01-2002.04	MT	L	Platform	DJ5TED	C816	Inner Joint		41		
	1997.01-2002.04	MT	R	Platform	DJ5TED	C817	Inner Joint		41		
	1997.01-2002.04	MT	R	Platform	DJ5TED	C9016	Drive Shaft	28	41	1079	
	1997.01-2002.04	MT	R	Platform	DJ5TED	C9016A	Drive Shaft	28	41	1079	54T
	1997.01-2002.04	MT	R	Platform	DJ5TED	C811	Inner Joint		41		
	1997.01-2002.04	MT	R	Platform	DJ5TED	C9011	Drive Shaft	35	41	1085	
	1997.01-2002.04	MT	R	Platform	DJ5TED	C806	Inner Joint		41		
1997.01-2002.04	MT	R	Platform	DJ5TED	C9011A	Drive Shaft	35	41	1085	54T	
2.5 TDi 4WD (79 kW)	1999.07-2002.04	MT		Platform	DJ5TED	C115A	Outer Joint	35	45	190	54T
	1999.07-2002.04	MT		Platform	DJ5TED	C115	Outer Joint	35	45	190	
	1999.07-2002.04	MT		Platform	DJ5TED	C908A	Outer Joint	28	39	176	54T
	1999.07-2002.04	MT		Platform	DJ5TED	C908	Outer Joint	28	39	176	
	1999.07-2002.04	MT	L	Platform	DJ5TED	C9018	Drive Shaft	28	37	771	
	1999.07-2002.04	MT	L	Platform	DJ5TED	C9018A	Drive Shaft	28	37	771	54T

Model	Year	Gearbox	Side	Body	Engine	Index	Product	Specification			
								A	B	C	ABS
	1999.07-2002.04	MT	L	Platform	DJ5TED	C9015	Drive Shaft	28	41	757.5	
	1999.07-2002.04	MT	L	Platform	DJ5TED	C9015A	Drive Shaft	28	41	757.5	54T
	1999.07-2002.04	MT	L	Platform	DJ5TED	C810	Inner Joint		41		
	1999.07-2002.04	MT	L	Platform	DJ5TED	C9012A	Drive Shaft	35	41	762	54T
	1999.07-2002.04	MT	L	Platform	DJ5TED	C807	Inner Joint		41		
	1999.07-2002.04	MT	R	Platform	DJ5TED	C9017	Drive Shaft	28	37	1072	
	1999.07-2002.04	MT	R	Platform	DJ5TED	C9017A	Drive Shaft	28	37	1072	54T
	1999.07-2002.04	MT	L	Platform	DJ5TED	C816	Inner Joint		41		
	1999.07-2002.04	MT	R	Platform	DJ5TED	C817	Inner Joint		41		
	1999.07-2002.04	MT	R	Platform	DJ5TED	C9016	Drive Shaft	28	41	1079	
	1999.07-2002.04	MT	R	Platform	DJ5TED	C9016A	Drive Shaft	28	41	1079	54T
	1999.07-2002.04	MT	R	Platform	DJ5TED	C811	Inner Joint		41		
	1999.07-2002.04	MT	R	Platform	DJ5TED	C9011	Drive Shaft	35	41	1085	
	1999.07-2002.04	MT	R	Platform	DJ5TED	C806	Inner Joint		41		
	1999.07-2002.04	MT	R	Platform	DJ5TED	C9011A	Drive Shaft	35	41	1085	54T
2.8 HDi (94 kW)	2000.11-2002.04	MT		Platform	F28DTCR	C115A	Outer Joint	35	45	190	54T
	2000.11-2002.04	MT		Platform	F28DTCR	C115	Outer Joint	35	45	190	
	2000.11-2002.04	MT	L	Platform	F28DTCR	C9012A	Drive Shaft	35	41	762	54T
	2000.11-2002.04	MT	L	Platform	F28DTCR	C807	Inner Joint		41		
	2000.11-2002.04	MT	R	Platform	F28DTCR	C9011	Drive Shaft	35	41	1085	
	2000.11-2002.04	MT	R	Platform	F28DTCR	C806	Inner Joint		41		
	2000.11-2002.04	MT	R	Platform	F28DTCR	C9011A	Drive Shaft	35	41	1085	54T
BOXER II											
2.2 HDi 100 (74 kW)	2006.04-	5MT/6MT		Box	4HV	C931	Outer Joint	35	27	194	
	2006.04-	5MT/6MT		Bus	4HV	C931	Outer Joint	35	27	194	
	2006.04-	5MT/6MT		Platform	4HV	C931	Outer Joint	35	27	194	
2.2 HDi 120 (88 kW)	2006.04-	5MT/6MT		Box	4HU	C931	Outer Joint	35	27	194	
	2006.04-	5MT/6MT	L	Box	4HU	C9019A	Drive Shaft	35	41	810	
	2006.04-	5MT/6MT	R	Box	4HU	C9020A	Drive Shaft	35	41	1140	
	2006.04-	5MT/6MT		Bus	4HU	C931	Outer Joint	35	27	194	
	2006.04-	5MT/6MT	L	Bus	4HU	C9019A	Drive Shaft	35	41	810	
	2006.04-	5MT/6MT	R	Bus	4HU	C9020A	Drive Shaft	35	41	1140	
	2006.04-	5MT/6MT		Platform	4HU	C931	Outer Joint	35	27	194	
	2006.04-	5MT/6MT	L	Platform	4HU	C9019A	Drive Shaft	35	41	810	
2.2 HDi 130 (96 kW)	2011.07-	5MT/6MT	L	Bus	4HU	C9019A	Drive Shaft	35	41	810	
	2011.07-	5MT/6MT	R	Bus	4HU	C9020A	Drive Shaft	35	41	1140	
	2011.07-	5MT/6MT	L	Box	4HU	C9019A	Drive Shaft	35	41	810	
	2011.07-	5MT/6MT	R	Box	4HU	C9020A	Drive Shaft	35	41	1140	
	2011.07-	5MT/6MT	L	Platform	4HU	C9019A	Drive Shaft	35	41	810	
	2011.07-	5MT/6MT	R	Platform	4HU	C9020A	Drive Shaft	35	41	1140	
3.0 HDi 160 (116 kW)	2006.04-	6MT		Box	F30DT	C929	Outer Joint	35	29	198	
	2006.04-	6MT		Bus	F30DT	C929	Outer Joint	35	29	198	
	2006.04-	6MT		Platform	F30DT	C929	Outer Joint	35	29	198	
	2006.04-	6MT	L	Box	F30DT	C9984	Drive Shaft	35	31	750	
	2006.04-	6MT	R	Box	F30DT	C9985	Drive Shaft	35	31	1205	
	2006.04-	6MT	L	Platform	F30DT	C9984	Drive Shaft	35	31	750	
	2006.04-	6MT	R	Platform	F30DT	C9985	Drive Shaft	35	31	1205	
	2006.04-	6MT	L	Bus	F30DT	C9984	Drive Shaft	35	31	750	

Model	Year	Gearbox	Side	Body	Engine	Index	Product	Specification			
								A	B	C	ABS
	2006.04-	6MT	R	Bus	F30DT	C9985	Drive Shaft	35	31	1205	
EXPERT (222)											
1.6 (58 kW)	1996.02-	MT	L	Box	220A2000	C9028A	Drive Shaft	27	24	648	48T
	1996.02-	MT	R	Box	220A2000	C9027	Drive Shaft	27	24	928	
	1996.02-	MT	R	Box	220A2000	C9027A	Drive Shaft	27	24	928	48T
1.9 D (51 kW)	1996.02-	MT	L	Box	XUD9	C9028A	Drive Shaft	27	24	648	48T
	1996.02-	MT	R	Box	XUD9	C9027	Drive Shaft	27	24	928	
	1996.02-	MT	R	Box	XUD9	C9027A	Drive Shaft	27	24	928	48T
1.9 TD (66 kW)	1996.02-			Box	XUD9	C914A	Outer Joint	27	39	145	48T
	1996.02-	MT	L	Box	XUD9	C9021A	Drive Shaft	27	37	641	48T
	1996.02-	MT	R	Box	XUD9	C9022	Drive Shaft	27	37	947	
	1996.02-	MT	R	Box	XUD9	C9022A	Drive Shaft	27	37	947	48T
1.9 TD (68 kW)	1996.02-			Box	XUD9	C914A	Outer Joint	27	39	145	48T
	1996.02-	MT	L	Box	XUD9	C9021A	Drive Shaft	27	37	641	48T
	1996.02-	MT	R	Box	XUD9	C9022	Drive Shaft	27	37	947	
	1996.02-	MT	R	Box	XUD9	C9022A	Drive Shaft	27	37	947	48T
2.0 HDi (69 kW)	2000.07-			Box	DW10	C914A	Outer Joint	27	39	145	48T
	2000.07-	MT	L	Box	DW10	C9021A	Drive Shaft	27	37	641	48T
	2000.07-	MT	R	Box	DW10	C9022	Drive Shaft	27	37	947	
	2000.07-	MT	R	Box	DW10	C9022A	Drive Shaft	27	37	947	48T
2.0 HDi (80 kW)	2000.07-			Box	DW10	C914A	Outer Joint	27	39	145	48T
	2000.07-			Box	DW10	C914A	Outer Joint	27	39	145	48T
EXPERT (223)											
1.6 (58 kW)	1996.02-	MT	L	Platform	220A2000	C9028A	Drive Shaft	27	24	648	48T
	1996.02-	MT	R	Platform	220A2000	C9027	Drive Shaft	27	24	928	
	1996.02-	MT	R	Platform	220A2000	C9027A	Drive Shaft	27	24	928	48T
1.9 D (51 kW)	1996.02-	MT	L	Platform	XUD9	C9028A	Drive Shaft	27	24	648	48T
	1996.02-	MT	R	Platform	XUD9	C9027	Drive Shaft	27	24	928	
	1996.02-	MT	R	Platform	XUD9	C9027A	Drive Shaft	27	24	928	48T
1.9 TD (66 kW)	1996.02-			Platform	XUD9	C914A	Outer Joint	27	39	145	48T
	1996.02-	MT	L	Platform	XUD9	C9021A	Drive Shaft	27	37	641	48T
	1996.02-	MT	R	Platform	XUD9	C9022	Drive Shaft	27	37	947	
	1996.02-	MT	R	Platform	XUD9	C9022A	Drive Shaft	27	37	947	48T
1.9 TD (68 kW)	1996.02-			Platform	XUD9	C914A	Outer Joint	27	39	145	48T
	1996.02-	MT	L	Platform	XUD9	C9021A	Drive Shaft	27	37	641	48T
	1996.02-	MT	R	Platform	XUD9	C9022	Drive Shaft	27	37	947	
	1996.02-	MT	R	Platform	XUD9	C9022A	Drive Shaft	27	37	947	48T
EXPERT (224)											
1.6 (58 kW)	1996.02-			MPV	220A2000	C915A	Outer Joint	27	34	137	48T
	1996.02-	MT	L	MPV	220A2000	C9028A	Drive Shaft	27	24	648	48T
	1996.02-	MT	R	MPV	220A2000	C9027	Drive Shaft	27	24	928	
	1996.02-	MT	R	MPV	220A2000	C9027A	Drive Shaft	27	24	928	48T
1.9 D (51 kW)	1996.02-			MPV	XUD9	C915A	Outer Joint	27	34	137	48T
	1996.02-	MT	L	MPV	XUD9	C9028A	Drive Shaft	27	24	648	48T
	1996.02-	MT	R	MPV	XUD9	C9027	Drive Shaft	27	24	928	
	1996.02-	MT	R	MPV	XUD9	C9027A	Drive Shaft	27	24	928	48T
1.9 TD (66 kW)	1996.02-			MPV	XUD9	C914A	Outer Joint	27	39	145	48T
	1996.02-	MT	L	MPV	XUD9	C9021A	Drive Shaft	27	37	641	48T
	1996.02-	MT	R	MPV	XUD9	C9022	Drive Shaft	27	37	947	

Model	Year	Gearbox	Side	Body	Engine	Index	Product	Specification			
								A	B	C	ABS
	1996.02-	MT	R	MPV	XUD9	C9022A	Drive Shaft	27	37	947	48T
1.9 TD (68 kW)	1996.02-			MPV	XUD9	C914	Outer Joint	27	39	145	
	1996.02-			MPV	XUD9	C914A	Outer Joint	27	39	145	48T
	1996.02-	MT	L	MPV	XUD9	C9021A	Drive Shaft	27	37	641	48T
	1996.02-	MT	R	MPV	XUD9	C9022	Drive Shaft	27	37	947	
	1996.02-	MT	R	MPV	XUD9	C9022A	Drive Shaft	27	37	947	48T
2.0 HDi (69 kW)	2000.10-2003.11			MPV	DW10	C914A	Outer Joint	27	39	145	48T
2.0 HDi (80 kW)	2000.07-			MPV	DW10	C914A	Outer Joint	27	39	145	48T
	2000.07-			MPV	DW10	C914A	Outer Joint	27	39	145	48T
EXPERT II											
1.6 HDi 16V 90 (66 kW)	2007.01-		L	Platform	DV6	C9919	Drive Shaft	28	24	685	
	2007.01-		R	Platform	DV6	C9920	Drive Shaft	28	24	975	
2.0 HDi 120 (88 kW)	2007.01-			Platform	DW10	C910	Outer Joint	28	39	156	
	2007.01-		L	Platform	DW10	C9921	Drive Shaft	28	37	676	
	2007.01-		R	Platform	DW10	C9922	Drive Shaft	28	37	1005	
2.0 HDi 140 (100 kW)	2007.01-			Platform	DW10	C910	Outer Joint	28	39	156	
	2007.01-		L	Platform	DW10	C9921	Drive Shaft	28	37	676	
	2007.01-		R	Platform	DW10	C9922	Drive Shaft	28	37	1005	
EXPERT II (VF3A_,VF3U_,VF3X_)											
1.6 HDi 16V 90 (66 kW)	2007.01-		L	Box	DV6	C9919	Drive Shaft	28	24	685	
	2007.01-		R	Box	DV6	C9920	Drive Shaft	28	24	975	
2.0 HDi 120 (88 kW)	2007.01-			Box	DW10	C910	Outer Joint	28	39	156	
	2007.01-		L	Box	DW10	C9921	Drive Shaft	28	37	676	
	2007.01-		R	Box	DW10	C9922	Drive Shaft	28	37	1005	
2.0 HDi 140 (100 kW)	2007.01-			Box	DW10	C910	Outer Joint	28	39	156	
	2007.01-		L	Box	DW10	C9921	Drive Shaft	28	37	676	
	2007.01-		R	Box	DW10	C9922	Drive Shaft	28	37	1005	
2.0 16V (103 kW)	2007.01-		L	Box	EW10	C9919	Drive Shaft	28	24	685	
	2007.01-		R	Box	EW10	C9920	Drive Shaft	28	24	975	
EXPERT II TEPEE (VF3V_)											
1.6 HDi 16V 90 (66 kW)	2007.01-		L	MPV	DV6	C9919	Drive Shaft	28	24	685	
	2007.01-		R	MPV	DV6	C9920	Drive Shaft	28	24	975	
2.0 HDi 120 (88 kW)	2007.01-			MPV	DW10	C910	Outer Joint	28	39	156	
	2007.01-		L	MPV	DW10	C9921	Drive Shaft	28	37	676	
	2007.01-		R	MPV	DW10	C9922	Drive Shaft	28	37	1005	
2.0 HDi 140 (100 kW)	2007.01-			MPV	DW10	C910	Outer Joint	28	39	156	
	2007.01-		L	MPV	DW10	C9921	Drive Shaft	28	37	676	
	2007.01-		R	MPV	DW10	C9922	Drive Shaft	28	37	1005	
2.0 16V (103 kW)	2007.01-		L	MPV	EW10	C9919	Drive Shaft	28	24	685	
	2007.01-		R	MPV	EW10	C9920	Drive Shaft	28	24	975	
J5 (280L)											
1.8 (51 kW)	1983.01-1988.11			Box	XM7T	C114	Outer Joint	28	27	176	
	1983.01-1988.11	MT/AT	L	Box	XM7T	C9013	Drive Shaft	28	25	701	
	1983.01-1988.11	MT/AT	R	Box	XM7T	C9014	Drive Shaft	28	25	1068	
2.0 (55 kW)	1986.01-1988.11			Platform	XN1T	C114	Outer Joint	28	27	176	
	1986.01-1988.11	MT/AT	L	Platform	XN1T	C9013	Drive Shaft	28	25	701	
	1986.01-1988.11	MT/AT	R	Platform	XN1T	C9014	Drive Shaft	28	25	1068	
	1987.09-1990.08			Box	XN1T	C114	Outer Joint	28	27	176	
2.0 (58 kW)	1981.09-1990.08			Box	XN1P	C114	Outer Joint	28	27	176	

Model	Year	Gearbox	Side	Body	Engine	Index	Product	Specification			
								A	B	C	ABS
	1983.01-1988.11			Platform	XN1T	C114	Outer Joint	28	27	176	
	1983.01-1988.11	MT/AT	L	Platform	XN1T	C9013	Drive Shaft	28	25	701	
	1983.01-1988.11	MT/AT	R	Platform	XN1T	C9014	Drive Shaft	28	25	1068	
2.5 D (54 kW)	1981.09-1990.08			Box	CRD93	C114	Outer Joint	28	27	176	
	1981.09-1990.09			Platform	CRD93	C114	Outer Joint	28	27	176	
	1981.09-1990.09	MT/AT	L	Platform	CRD93	C9013	Drive Shaft	28	25	701	
	1981.09-1990.09	MT/AT	R	Platform	CRD93	C9014	Drive Shaft	28	25	1068	
2.5 DT (70 kW)	1981.09-1990.08			Box	CRD93	C114	Outer Joint	28	27	176	
J5 (280P)											
2.0 (55 kW)	1981.09-1990.09			Bus	XN1T	C114	Outer Joint	28	27	176	
	1981.09-1990.09	MT/AT	L	Bus	XN1T	C9013	Drive Shaft	28	25	701	
	1981.09-1990.09	MT/AT	R	Bus	XN1T	C9014	Drive Shaft	28	25	1068	
2.0 (58 kW)	1983.01-1990.09			Bus	XN1T	C114	Outer Joint	28	27	176	
	1983.01-1990.09	MT/AT	L	Bus	XN1T	C9013	Drive Shaft	28	25	701	
	1983.01-1990.09	MT/AT	R	Bus	XN1T	C9014	Drive Shaft	28	25	1068	
2.5 D (54 kW)	1981.09-1990.09			Bus	CRD93	C114	Outer Joint	28	27	176	
	1981.09-1990.09	MT/AT	L	Bus	CRD93	C9013	Drive Shaft	28	25	701	
	1981.09-1990.09	MT/AT	R	Bus	CRD93	C9014	Drive Shaft	28	25	1068	
J5 (290L)											
1.8 (51 kW)	1990.09-1994.01			Box	XM7T	C114	Outer Joint	28	27	176	
1.9 D (51 kW)	1990.10-	MT/AT	L	Box	XUD9	C9013	Drive Shaft	28	25	701	
	1990.10-	MT/AT	L	Platform	XUD9	C9013	Drive Shaft	28	25	701	
	1990.10-	MT/AT	R	Box	XUD9	C9014	Drive Shaft	28	25	1068	
	1990.10-	MT/AT	R	Platform	XUD9	C9014	Drive Shaft	28	25	1068	
2.0 (62 kW)	1990.09-1994.01			Box	XN1TA	C114	Outer Joint	28	27	176	
	1990.10-			Platform	XN1TACP	C114	Outer Joint	28	27	176	
	1990.10-	MT/AT	L	Platform	XN1TACP	C9013	Drive Shaft	28	25	701	
	1990.10-	MT/AT	R	Platform	XN1TACP	C9014	Drive Shaft	28	25	1068	
2.5 D (54 kW)	1990.09-1994.01			Box	CRD93	C114	Outer Joint	28	27	176	
	1990.10-			Platform	CRD93	C114	Outer Joint	28	27	176	
	1990.10-	MT/AT	L	Platform	CRD93	C9013	Drive Shaft	28	25	701	
	1990.10-	MT/AT	R	Platform	CRD93	C9014	Drive Shaft	28	25	1068	
2.5 D 4WD (54 kW)	1990.10-			Box	CRD93	C114	Outer Joint	28	27	176	
	1990.10-			Platform	CRD93	C114	Outer Joint	28	27	176	
	1990.10-	MT/AT	L	Box	CRD93	C9013	Drive Shaft	28	25	701	
	1990.10-	MT/AT	L	Platform	CRD93	C9013	Drive Shaft	28	25	701	
	1990.10-	MT/AT	R	Box	CRD93	C9014	Drive Shaft	28	25	1068	
	1990.10-	MT/AT	R	Platform	CRD93	C9014	Drive Shaft	28	25	1068	
2.5 DT (70 kW)	1990.09-1994.01			Box	CRD93	C114	Outer Joint	28	27	176	
2.5 TD (70 kW)	1990.10-			Platform	CRD93	C114	Outer Joint	28	27	176	
	1990.10-	MT/AT	L	Platform	CRD93	C9013	Drive Shaft	28	25	701	
	1990.10-	MT/AT	R	Platform	CRD93	C9014	Drive Shaft	28	25	1068	
2.5 TD 4WD (70 kW)	1990.10-			Box	CRD93	C114	Outer Joint	28	27	176	
	1990.10-			Platform	CRD93	C114	Outer Joint	28	27	176	
	1990.10-	MT/AT	L	Box	CRD93	C9013	Drive Shaft	28	25	701	
	1990.10-	MT/AT	L	Platform	CRD93	C9013	Drive Shaft	28	25	701	
	1990.10-	MT/AT	R	Box	CRD93	C9014	Drive Shaft	28	25	1068	
	1990.10-	MT/AT	R	Platform	CRD93	C9014	Drive Shaft	28	25	1068	
J5 (290P)											

Model	Year	Gearbox	Side	Body	Engine	Index	Product	Specification			
								A	B	C	ABS
1.9 D (51 kW)	1990.10-	MT/AT	L	Bus	XUD9	C9013	Drive Shaft	28	25	701	
	1990.10-	MT/AT	R	Bus	XUD9	C9014	Drive Shaft	28	25	1068	
2.0 (62 kW)	1990.10-			Bus	XN1TACP	C114	Outer Joint	28	27	176	
	1990.10-	MT/AT	L	Bus	XN1TACP	C9013	Drive Shaft	28	25	701	
	1990.10-	MT/AT	R	Bus	XN1TACP	C9014	Drive Shaft	28	25	1068	
2.5 D (54 kW)	1990.10-			Bus	CRD93	C114	Outer Joint	28	27	176	
	1990.10-	MT/AT	L	Bus	CRD93	C9013	Drive Shaft	28	25	701	
	1990.10-	MT/AT	R	Bus	CRD93	C9014	Drive Shaft	28	25	1068	
2.5 D 4WD (54 kW)	1990.10-			Bus	CRD93	C114	Outer Joint	28	27	176	
	1990.10-	MT/AT	L	Bus	CRD93	C9013	Drive Shaft	28	25	701	
	1990.10-	MT/AT	R	Bus	CRD93	C9014	Drive Shaft	28	25	1068	
2.5 TD (70 kW)	1990.10-			Bus	CRD93	C114	Outer Joint	28	27	176	
	1990.10-	MT/AT	L	Bus	CRD93	C9013	Drive Shaft	28	25	701	
	1990.10-	MT/AT	R	Bus	CRD93	C9014	Drive Shaft	28	25	1068	
2.5 TD 4WD (70 kW)	1990.10-			Bus	CRD93	C114	Outer Joint	28	27	176	
	1990.10-	MT/AT	L	Bus	CRD93	C9013	Drive Shaft	28	25	701	
	1990.10-	MT/AT	R	Bus	CRD93	C9014	Drive Shaft	28	25	1068	
PARTNER											
1.8 Petrol		MT	R	Box	XU BE3	C9025A	Drive Shaft	25	24	872	29W
		MT	L	Box	XU BE3	C9026A	Drive Shaft	25	24	597	29W
				Box	XU BE3	C111	Outer Joint	25	34	134	
1.9 Diesel		MT	R	Box	XU BE3	C9025A	Drive Shaft	25	24	872	29W
		MT	L	Box	XU BE3	C9026A	Drive Shaft	25	24	597	29W
				Box	XU BE3	C111	Outer Joint	25	34	134	
2.0 HDi	1999.01-	MT	R	Box		C9025A	Drive Shaft	25	24	872	29W
PARTNER (5)											
1.1 (44 kW)	1996.06-	MT	L	Box	TU1	C9023	Drive Shaft	25	22	594	
	1996.06-	MT	R	Box	TU1	C9024	Drive Shaft	25	22	868	
1.4 (55 kW)	1996.06-	MT	L	Box	TU3	C9023	Drive Shaft	25	22	594	
	1996.06-	MT	R	Box	TU3	C9024	Drive Shaft	25	22	868	
1.6 HDi 75 (55 kW)	2006.02-			Box	DV6	C113A	Outer Joint	25	34	134	48W
	2006.02-		R	Box	DV6	C9964A	Drive Shaft	25	24	875	48T
	2006.02-		L	Box	DV6	C9965A	Drive Shaft	25	24	586	48T
1.6 HDi 90 (66 kW)	2006.02-			Box	DV6	C113A	Outer Joint	25	34	134	48W
	2006.02-		R	Box	DV6	C9964A	Drive Shaft	25	24	875	48T
	2006.02-		L	Box	DV6	C9965A	Drive Shaft	25	24	586	48T
1.8 D (43 kW)	1996.06-	MT	L	Box	XUD7	C9026	Drive Shaft	25	24	593	
	1996.06-	MT	L	Box	XUD7	C9026B	Drive Shaft	25	24	593	29T
	1996.06-	MT	R	Box	XUD7	C9025	Drive Shaft	25	24	868	
	1996.06-	MT	R	Box	XUD7	C9025B	Drive Shaft	25	24	868	29T
1.9 D (51 kW)	1996.06-			Box	XUD9	C111A	Outer Joint	25	34	134	29W
	1996.06-	MT	L	Box	XUD9	C9026	Drive Shaft	25	24	593	
	1996.06-	MT	L	Box	XUD9	C9026B	Drive Shaft	25	24	593	29T
	1996.06-		L	Box	DW8	C9026B	Drive Shaft	25	24	593	29W
	1996.06-	MT	L	Box	DW8	C9026	Drive Shaft	25	24	593	
	1996.06-	MT	R	Box	XUD9	C9025	Drive Shaft	25	24	868	
	1996.06-	MT	R	Box	XUD9	C9025B	Drive Shaft	25	24	868	29T
	1996.06-		R	Box	DW8	C9025	Drive Shaft	25	24	868	
1996.06-		R	Box	DW8	C9025B	Drive Shaft	25	24	868	29T	

Model	Year	Gearbox	Side	Body	Engine	Index	Product	Specification			
								A	B	C	ABS
	1996.06-		R	Box	DW8	C9964A	Drive Shaft	25	24	875	48T
	1996.06-		L	Box	DW8	C9965A	Drive Shaft	25	24	586	48T
1.9 D 4x4 (51 kW)	2004.04-		R	Box	DW8	C9964A	Drive Shaft	25	24	875	48T
	2004.04-		L	Box	DW8	C9965A	Drive Shaft	25	24	586	48T
2.0 HDi (66 kW)	2000.04-			Box	DW10	C111A	Outer Joint	25	34	134	29W
	2000.04-	MT	L	Box	DW10	C9966A	Drive Shaft	25	24	583	29T
	2000.04-		R	Box	DW10	C9025B	Drive Shaft	25	24	868	29T
	2000.04-	MT	R	Box	DW10	C9025	Drive Shaft	25	24	868	
	2000.04-		R	Box	DW10	C9964A	Drive Shaft	25	24	875	48T
	2000.04-		L	Box	DW10	C9965A	Drive Shaft	25	24	586	48T
PARTNER COMBISPACE (5F)											
1.1 (44 kW)	1996.06-	MT	L	MPV	TU1	C9023	Drive Shaft	25	22	594	
	1996.06-	MT	R	MPV	TU1	C9024	Drive Shaft	25	22	868	
1.4 (55 kW)	1996.06-	MT	L	MPV	TU3	C9023	Drive Shaft	25	22	594	
	1996.06-	MT	R	MPV	TU3	C9024	Drive Shaft	25	22	868	
1.6 HDi 75 (55 kW)	2006.02-			MPV	DV6	C113A	Outer Joint	25	34	134	48W
	2006.02-		R	MPV	DV6	C9964A	Drive Shaft	25	24	875	48T
	2006.02-		L	MPV	DV6	C9965A	Drive Shaft	25	24	586	48T
1.6 HDi 90 (66 kW)	2006.02-			MPV	DV6	C113A	Outer Joint	25	34	134	48W
	2006.02-		R	MPV	DV6	C9964A	Drive Shaft	25	24	875	48T
	2006.02-		L	MPV	DV6	C9965A	Drive Shaft	25	24	586	48T
1.6 16V (80 kW)	2001.07-	MT	L	MPV	TU5	C9026	Drive Shaft	25	24	593	
	2001.07-	MT	L	MPV	TU5	C9026B	Drive Shaft	25	24	593	29T
	2001.07-	MT	R	MPV	TU5	C9025	Drive Shaft	25	24	868	
	2001.07-	MT	R	MPV	TU5	C9025B	Drive Shaft	25	24	868	29T
	2001.07-		R	MPV	TU5	C9964A	Drive Shaft	25	24	875	48T
	2001.07-		L	MPV	TU5	C9965A	Drive Shaft	25	24	586	48T
1.8 (66 kW)	1997.05-			MPV	XU7	C111A	Outer Joint	25	34	134	29W
	1997.05-	MT	L	MPV	XU7	C9026	Drive Shaft	25	24	593	
	1997.05-	MT	L	MPV	XU7	C9026B	Drive Shaft	25	24	593	29T
	1997.05-	MT	R	MPV	XU7	C9025	Drive Shaft	25	24	868	
	1997.05-	MT	R	MPV	XU7	C9025B	Drive Shaft	25	24	868	29T
1.9 D (50 kW)	1996.06-			MPV	XUD9	C111A	Outer Joint	25	34	134	29W
	1996.06-	MT	L	MPV	XUD9	C9026	Drive Shaft	25	24	593	
	1996.06-	MT	L	MPV	XUD9	C9026B	Drive Shaft	25	24	593	29T
	1996.06-	MT	R	MPV	XUD9	C9025	Drive Shaft	25	24	868	
	1996.06-	MT	R	MPV	XUD9	C9025B	Drive Shaft	25	24	868	29T
1.9 D (51 kW)	1996.05-1998.12			MPV	XUD9	C111A	Outer Joint	25	34	134	29W
	1996.05-1998.12		R	MPV	XUD9	C9025B	Drive Shaft	25	24	868	29T
	1998.12-	MT	L	MPV	DW8	C9026	Drive Shaft	25	24	593	
	1998.12-	MT	L	MPV	DW8	C9026B	Drive Shaft	25	24	593	29T
	1998.12-	MT	R	MPV	DW8	C9025	Drive Shaft	25	24	868	
	1998.12-	MT	R	MPV	DW8	C9025B	Drive Shaft	25	24	868	29T
	1998.12-		R	MPV	DW8	C9964A	Drive Shaft	25	24	875	48T
	1998.12-		L	MPV	DW8	C9965A	Drive Shaft	25	24	586	48T
1.9 D 4x4 (51 kW)	2004.04-2005.08		R	MPV	DW8	C9964A	Drive Shaft	25	24	875	48T
	2004.04-2005.08		L	MPV	DW8	C9965A	Drive Shaft	25	24	586	48T
2.0 HDi (66 kW)	2000.02-			MPV	DW10	C111A	Outer Joint	25	34	134	29W
	2000.02-	MT	L	MPV	DW10	C9966A	Drive Shaft	25	24	583	29T

Model	Year	Gearbox	Side	Body	Engine	Index	Product	Specification			
								A	B	C	ABS
	2000.02-	MT	R	MPV	DW10	C9025	Drive Shaft	25	24	868	
	2000.02-	MT	R	MPV	DW10	C9025B	Drive Shaft	25	24	868	29T
	2000.02-		R	MPV	DW10	C9964A	Drive Shaft	25	24	875	48T
	2000.02-		L	MPV	DW10	C9965A	Drive Shaft	25	24	586	48T
PARTNER II											
1.6 (66 kW)	2008.04-	MT	L	Box	TU5	C9845	Drive Shaft	25	24	625	
	2008.04-	MT	R	Box	TU5	C9844	Drive Shaft	25	24	925	
	2008.04-			Box	TU5	C934	Outer Joint	25	34	134	
1.6 (72 kW)	2010.11-			Box	EP6	C934	Outer Joint	25	34	134	
1.6 (80 kW)	2008.04-	MT	L	Box	TU5	C9845	Drive Shaft	25	24	625	
	2008.04-	MT	R	Box	TU5	C9844	Drive Shaft	25	24	925	
	2008.04-			Box	TU5	C934	Outer Joint	25	34	134	
1.6 (88 kW)	2010.04-			Box	EP6	C934	Outer Joint	25	34	134	
1.6 HDi (55 kW)	2008.04-	MT	L	Box	DV6	C9845	Drive Shaft	25	24	625	
	2008.04-	MT	R	Box	DV6	C9844	Drive Shaft	25	24	925	
	2008.04-			Box	DV6	C934	Outer Joint	25	34	134	
1.6 HDi (66 kW)	2008.04-	MT	L	Box	DV6	C9845	Drive Shaft	25	24	625	
	2008.04-	MT	R	Box	DV6	C9844	Drive Shaft	25	24	925	
	2008.04-			Box	DV6	C934	Outer Joint	25	34	134	
1.6 HDi (68 kW)	2010.04-	MT		Box	DV6	C934	Outer Joint	25	34	134	
1.6 HDi (80 kW)	2008.04-	MT	L	Box	DV6	C9845	Drive Shaft	25	24	625	
	2008.04-	MT	R	Box	DV6	C9844	Drive Shaft	25	24	925	
	2008.04-			Box	DV6	C934	Outer Joint	25	34	134	
1.6 HDi (82 kW)	2010.08-			Box	DV6	C934	Outer Joint	25	34	134	
PARTNER II TEPEE											
1.6 (66 kW)	2008.04-	MT	L	MPV	TU5	C9845	Drive Shaft	25	24	625	
	2008.04-	MT	R	MPV	TU5	C9844	Drive Shaft	25	24	925	
	2008.04-			MPV	TU5	C934	Outer Joint	25	34	134	
1.6 (72 kW)	2010.08-			MPV	EP6	C934	Outer Joint	25	34	134	
1.6 (80 kW)	2008.04-	MT	L	MPV	TU5	C9845	Drive Shaft	25	24	625	
	2008.04-	MT	R	MPV	TU5	C9844	Drive Shaft	25	24	925	
	2008.04-			MPV	TU5	C934	Outer Joint	25	34	134	
1.6 (88 kW)	2010.04-			MPV	EP6	C934	Outer Joint	25	34	134	
1.6 HDi (55 kW)	2008.04-	MT	L	MPV	DV6	C9845	Drive Shaft	25	24	625	
	2008.04-	MT	R	MPV	DV6	C9844	Drive Shaft	25	24	925	
	2008.04-			MPV	DV6	C934	Outer Joint	25	34	134	
1.6 HDi (66 kW)	2008.04-	MT	L	MPV	DV6	C9845	Drive Shaft	25	24	625	
	2008.04-	MT	R	MPV	DV6	C9844	Drive Shaft	25	24	925	
	2008.04-			MPV	DV6	C934	Outer Joint	25	34	134	
1.6 HDi (68 kW)	2010.04-	MT		MPV	DV6	C934	Outer Joint	25	34	134	
1.6 HDi (80 kW)	2008.04-	MT	L	MPV	DV6	C9845	Drive Shaft	25	24	625	
	2008.04-	MT	R	MPV	DV6	C9844	Drive Shaft	25	24	925	
	2008.04-			MPV	DV6	C934	Outer Joint	25	34	134	
1.6 HDi (82 kW)	2010.08-			MPV	DV6	C934	Outer Joint	25	34	134	
RCZ											
1.6 16V (115 kW)	2010.03-	6MT		Coupe	EP6	C934	Outer Joint	25	34	134	
1.6 16V (147 kW)	2010.06-	6MT		Coupe	EP6	C934	Outer Joint	25	34	134	
RENAULT											
11 (B/C37_)											

Model	Year	Gearbox	Side	Body	Engine	Index	Product	Specification			
								A	B	C	ABS
1.1 (35 kW)	1983.03-1986.06	MT	L	Hatchback	C1E	R9101	Drive Shaft	21	29.95	633.5	
	1983.03-1986.06	MT	R	Hatchback	C1E	R9102	Drive Shaft	21	23	726	
1.2 (40 kW)	1984.10-1988.12		L	Hatchback	C1G	R9959	Drive Shaft	21	29.95	639	
	1984.10-1988.12	MT	L	Hatchback	C1G	R9101	Drive Shaft	21	29.95	633.5	
	1984.10-1988.12	MT	R	Hatchback	C1G	R9102	Drive Shaft	21	23	726	
1.4 (44 kW)	1983.03-1988.12	MT	L	Hatchback	C1J	R9101	Drive Shaft	21	29.95	633.5	
	1983.03-1988.12	MT	R	Hatchback	C1J	R9102	Drive Shaft	21	23	726	
1.4 (49 kW)	1983.03-1988.12	MT	L	Hatchback	C2J	R9101	Drive Shaft	21	29.95	633.5	
	1983.03-1988.12	MT	R	Hatchback	C2J	R9102	Drive Shaft	21	23	726	
1.4 (50 kW)	1983.03-1985.12	MT	L	Hatchback	C2J	R9101	Drive Shaft	21	29.95	633.5	
	1983.03-1985.12	MT	R	Hatchback	C2J	R9102	Drive Shaft	21	23	726	
1.4 (53 kW)	1983.05-1985.12	MT	L	Hatchback	C2J	R9101	Drive Shaft	21	29.95	633.5	
	1983.05-1985.12	MT	R	Hatchback	C2J	R9102	Drive Shaft	21	23	726	
1.6 D (40 kW)	1983.08-1988.12	MT	L	Hatchback	F8M	R9101	Drive Shaft	21	29.95	633.5	
	1983.08-1988.12	MT&3AT	R	Hatchback	F8M	R9102	Drive Shaft	21	23	726	
1.7 (54 kW)	1986.10-1988.12	MT	L	Hatchback	F2N	R9101	Drive Shaft	21	29.95	633.5	
1.7 (55 kW)	1984.10-1988.12	MT	L	Hatchback	F3N	R9101	Drive Shaft	21	29.95	633.5	
1.7 (59 kW)	1983.10-1987.12	MT	L	Hatchback	F2N	R9101	Drive Shaft	21	29.95	633.5	
1.7 (64 kW)	1987.06-1988.12	MT	L	Hatchback	F2N	R9101	Drive Shaft	21	29.95	633.5	
1.7 (65 kW)	1986.10-1988.12	MT	L	Hatchback	F2N	R9101	Drive Shaft	21	29.95	633.5	
19 I (B/C53_)											
1.4 (43 kW)	1989.01-1989.12	MT	L	Hatchback	C2J	R9001	Drive Shaft	21	29.95	639.5	
	1989.01-1989.12	MT&3AT	R	Hatchback	C2J	R9025	Drive Shaft	21	23	730	
	1989.01-1992.04	MT	L	Hatchback	C3J	R9001	Drive Shaft	21	29.95	639.5	
	1989.01-1992.04	MT&3AT	R	Hatchback	C3J	R9025	Drive Shaft	21	23	730	
1.4 (59 kW)	1988.01-1992.12	MT	L	Hatchback	E6J	R9001	Drive Shaft	21	29.95	639.5	
	1988.01-1992.12	MT&3AT	R	Hatchback	E6J	R9025	Drive Shaft	21	23	730	
1.7 (54 kW)	1988.09-1992.04	MT	L	Hatchback	F3N	R9001	Drive Shaft	21	29.95	639.5	
	1988.09-1992.04	MT&3AT	R	Hatchback	F3N	R9025	Drive Shaft	21	23	730	
	1988.06-1992.04	MT	R	Hatchback	F3N	R9958	Drive Shaft	21	23	732	
1.7 (66 kW)	1988.09-1992.04	MT	L	Hatchback	F3N	R9001	Drive Shaft	21	29.95	639.5	
	1988.09-1992.04	MT&3AT	R	Hatchback	F3N	R9025	Drive Shaft	21	23	730	
	1988.06-1992.04	MT	R	Hatchback	F3N	R9958	Drive Shaft	21	23	732	
1.9 D (47 kW)	1988.09-1992.04	MT	L	Hatchback	F8Q	R9001	Drive Shaft	21	29.95	639.5	
	1988.09-1992.04	MT	R	Hatchback	F8Q	R9025	Drive Shaft	21	23	730	
	1988.06-1992.04	MT	R	Hatchback	F8Q	R9958	Drive Shaft	21	23	732	
19 I CABRIO (D53_)											
1.7 (55 kW)	1991.07-1992.04	MT	L	Convertible		R9001	Drive Shaft	21	29.95	639.5	
	1991.07-1992.04	MT&3AT	R	Convertible		R9025	Drive Shaft	21	23	730	
	1991.07-1992.04	MT	R	Convertible		R9958	Drive Shaft	21	23	732	
1.7 (70 kW)	1991.07-1992.04	MT	L	Convertible	F3N	R9001	Drive Shaft	21	29.95	639.5	
	1991.07-1992.04	MT&3AT	R	Convertible	F3N	R9025	Drive Shaft	21	23	730	
19 I CHAMADE (L53_)											
1.4 (43 kW)	1988.07-1992.04	MT	L	Saloon	C2J	R9001	Drive Shaft	21	29.95	639.5	
	1988.07-1992.04	MT&3AT	R	Saloon	C2J	R9025	Drive Shaft	21	23	730	
1.7 (54 kW)	1989.10-1992.04	MT	L	Saloon	F3N	R9001	Drive Shaft	21	29.95	639.5	
	1989.10-1992.04	MT&3AT	R	Saloon	F3N	R9025	Drive Shaft	21	23	730	
	1989.10-1992.04	MT	R	Saloon	F3N	R9958	Drive Shaft	21	23	732	
1.7 (66 kW)	1988.07-1992.04	MT	L	Saloon	F3N	R9001	Drive Shaft	21	29.95	639.5	

Model	Year	Gearbox	Side	Body	Engine	Index	Product	Specification			
								A	B	C	ABS
	1988.07-1992.04	MT&3AT	R	Saloon	F3N	R9025	Drive Shaft	21	23	730	
	1988.07-1992.04	MT	R	Saloon	F3N	R9958	Drive Shaft	21	23	732	
1.9D (47 kW)	1989.10-1992.04	MT	L	Saloon	F8Q	R9001	Drive Shaft	21	29.95	639.5	
	1989.10-1992.04	MT	R	Saloon	F8Q	R9025	Drive Shaft	21	23	730	
	1989.10-1992.04	MT	R	Saloon	F8Q	R9958	Drive Shaft	21	23	732	
19 II (B/C53_)											
1.4 (43 kW)	1992.04-1995.12	MT	L	Hatchback	C3J	R9001	Drive Shaft	21	29.95	639.5	
	1992.04-1995.12	MT&3AT	R	Hatchback	C3J	R9025	Drive Shaft	21	23	730	
1.4 (55 kW)	1992.01-1995.12	MT	L	Hatchback	E7J	R9001	Drive Shaft	21	29.95	639.5	
	1992.01-1995.12	MT&3AT	R	Hatchback	E7J	R9025	Drive Shaft	21	23	730	
1.4 (59 kW)	1992.01-1995.12	MT	L	Hatchback	E6J	R9001	Drive Shaft	21	29.95	639.5	
	1992.01-1995.12	MT&3AT	R	Hatchback	E6J	R9025	Drive Shaft	21	23	730	
1.7 (54 kW)	1992.04-1995.12	MT	L	Hatchback	F3N	R9001	Drive Shaft	21	29.95	639.5	
	1992.04-1995.12	MT&3AT	R	Hatchback	F3N	R9025	Drive Shaft	21	23	730	
1.7 (66 kW)	1992.04-1995.12	MT	L	Hatchback	F3N	R9001	Drive Shaft	21	29.95	639.5	
	1992.04-1995.12	MT&3AT	R	Hatchback	F3N	R9025	Drive Shaft	21	23	730	
1.8 (65 kW)	1992.04-1995.12	MT	L	Hatchback	F3P	R9001	Drive Shaft	21	29.95	639.5	
	1992.04-1995.12	MT&3AT	R	Hatchback	F3P	R9025	Drive Shaft	21	23	730	
1.8 (66 kW)	1992.04-1995.12	MT	L	Hatchback	F3P	R9001	Drive Shaft	21	29.95	639.5	
	1992.04-1995.12	MT&3AT	R	Hatchback	F3P	R9025	Drive Shaft	21	23	730	
1.8 (79 kW)	1994.05-1995.12	MT	L	Hatchback	F3P	R9001	Drive Shaft	21	29.95	639.5	
	1994.05-1995.12	MT&3AT	R	Hatchback	F3P	R9025	Drive Shaft	21	23	730	
1.8 (81 kW)	1992.04-1994.05	MT	L	Hatchback	F3P	R9001	Drive Shaft	21	29.95	639.5	
	1992.04-1994.05	MT&3AT	R	Hatchback	F3P	R9025	Drive Shaft	21	23	730	
1.9 D (47 kW)	1992.04-1995.12	MT	L	Hatchback	F8Q	R9001	Drive Shaft	21	29.95	639.5	
	1992.04-1995.12	MT	R	Hatchback	F8Q	R9025	Drive Shaft	21	23	730	
1.9 DT (66 kW)	1992.04-1995.12	MT	L	Hatchback	F8Q	R9001	Drive Shaft	21	29.95	639.5	
	1992.04-1995.12	MT	R	Hatchback	F8Q	R9025	Drive Shaft	21	23	730	
19 II (S53_)											
1.9 DT (68 kW)	1992.03-1995.12	MT	L	Box	F8Q	R9001	Drive Shaft	21	29.95	639.5	
	1992.03-1995.12	MT	R	Box	F8Q	R9025	Drive Shaft	21	23	730	
19 II CABRIO (D53_,853_)											
1.7 (66 kW)	1992.04-1993.09	MT	L	Convertible	F3N	R9001	Drive Shaft	21	29.95	639.5	
	1992.04-1993.09	MT&3AT	R	Convertible	F3N	R9025	Drive Shaft	21	23	730	
1.8 (65 kW)	1992.04-1996.06	MT	L	Convertible	F3P	R9001	Drive Shaft	21	29.95	639.5	
	1992.04-1996.06	MT&3AT	R	Convertible	F3P	R9025	Drive Shaft	21	23	730	
1.8 (66 kW)	1993.09-1996.06	MT	L	Convertible	F3P	R9001	Drive Shaft	21	29.95	639.5	
	1993.09-1996.06	MT&3AT	R	Convertible	F3P	R9025	Drive Shaft	21	23	730	
1.8 (79 kW)	1994.07-1996.06	MT	L	Convertible	F3P	R9001	Drive Shaft	21	29.95	639.5	
	1994.07-1996.06	MT&3AT	R	Convertible	F3P	R9025	Drive Shaft	21	23	730	
19 II CHAMADE (L53_)											
1.4 (43 kW)	1992.04-1995.12	MT	L	Saloon	C3J	R9001	Drive Shaft	21	29.95	639.5	
	1992.04-1995.12	MT&3AT	R	Saloon	C3J	R9025	Drive Shaft	21	23	730	
1.4 (55 kW)	1993.11-1995.12	MT	L	Saloon	E7J	R9001	Drive Shaft	21	29.95	639.5	
	1993.11-1995.12	MT&3AT	R	Saloon	E7J	R9025	Drive Shaft	21	23	730	
1.7 (54 kW)	1992.04-1995.12	MT	L	Saloon	F3N	R9001	Drive Shaft	21	29.95	639.5	
	1992.04-1995.12	MT&3AT	R	Saloon	F3N	R9025	Drive Shaft	21	23	730	
1.8 (65 kW)	1992.04-1995.12	MT	L	Saloon	F3P	R9001	Drive Shaft	21	29.95	639.5	
	1992.04-1995.12	MT&3AT	R	Saloon	F3P	R9025	Drive Shaft	21	23	730	

Model	Year	Gearbox	Side	Body	Engine	Index	Product	Specification			
								A	B	C	ABS
1.8 (66 kW)	1992.04-1995.12	MT	L	Saloon	F3P	R9001	Drive Shaft	21	29.95	639.5	
	1992.04-1995.12	MT&3AT	R	Saloon	F3P	R9025	Drive Shaft	21	23	730	
1.8 (79 kW)	1994.05-1995.12	MT	L	Saloon	F3P	R9001	Drive Shaft	21	29.95	639.5	
	1994.05-1995.12	MT&3AT	R	Saloon	F3P	R9025	Drive Shaft	21	23	730	
1.8 (81 kW)	1992.04-1994.05	MT	L	Saloon	F3P	R9001	Drive Shaft	21	29.95	639.5	
	1992.04-1994.05	MT&3AT	R	Saloon	F3P	R9025	Drive Shaft	21	23	730	
1.9 D (47 kW)	1992.04-1995.12	MT	L	Saloon	F8Q	R9001	Drive Shaft	21	29.95	639.5	
	1992.04-1995.12	MT	R	Saloon	F8Q	R9025	Drive Shaft	21	23	730	
1.9 DT (66 kW)	1992.04-1995.12	MT	L	Saloon	F8Q	R9001	Drive Shaft	21	29.95	639.5	
	1992.04-1995.12	MT	R	Saloon	F8Q	R9025	Drive Shaft	21	23	730	
21 (B48_)											
2.0 (99 kW)	1990.02-1992.10	MT/AT	L/R	Hatchback	J7R	R9024	Drive Shaft	23	23	698.5	
2.0 4WD (99 kW)	1990.09-1992.10	MT/AT	L/R	Hatchback	J7R	R9024	Drive Shaft	23	23	698.5	
2.1 Turbo-D (65 kW)	1989.09-1994.06	MT	L/R	Hatchback	J8S	R9024	Drive Shaft	23	23	698.5	
2.2 (79 kW)	1989.09-1994.06	MT/AT	L/R	Hatchback	J7T	R9024	Drive Shaft	23	23	698.5	
2.2 4WD (79 kW)	1990.07-1994.06	MT/AT	L/R	Hatchback	J7T	R9024	Drive Shaft	23	23	698.5	
21 (K48_)											
2.0 (85 kW)	1986.06-1988.12	MT/AT	L/R	Estate	J7R	R9024	Drive Shaft	23	23	698.5	
2.0 (99 kW)	1990.06-1994.02	MT/AT	L/R	Estate	J7R	R9024	Drive Shaft	23	23	698.5	
2.1 D (48 kW)	1986.10-1990.09	MT/AT	L/R	Estate	J8S	R9024	Drive Shaft	23	23	698.5	
2.1 D (51 kW)	1992.02-1995.09	MT/AT	L/R	Estate	J8S	R9024	Drive Shaft	23	23	698.5	
2.1 D (53 kW)	1989.08-1992.12	MT/AT	L/R	Estate	J8S	R9024	Drive Shaft	23	23	698.5	
2.1 D 4WD (48 kW)	1988.10-1992.05	MT/AT	L/R	Estate	J8S	R9024	Drive Shaft	23	23	698.5	
2.1 Turbo-D (65 kW)	1986.10-1993.11	MT	L/R	Estate	J8S	R9024	Drive Shaft	23	23	698.5	
2.2 (79 kW)	1986.06-1993.11	MT/AT	L/R	Estate	J7T	R9024	Drive Shaft	23	23	698.5	
2.2 4WD (79 kW)	1986.06-1993.12	MT/AT	L/R	Estate	J7T	R9024	Drive Shaft	23	23	698.5	
21 (L48_)											
2.0 (78 kW)	1991.05-1993.10	MT/AT	L/R	Saloon	J6R	R9024	Drive Shaft	23	23	698.5	
2.0 (85 kW)	1986.03-1988.12	MT/AT	L/R	Saloon	J7R	R9024	Drive Shaft	23	23	698.5	
2.0 (88 kW)	1986.03-1993.12	MT/AT	L/R	Saloon	J7R	R9024	Drive Shaft	23	23	698.5	
2.0 (99 kW)	1990.02-1994.06	MT/AT	L/R	Saloon	J7R	R9024	Drive Shaft	23	23	698.5	
2.0 4WD (99 kW)	1989.12-1994.02	MT/AT	L/R	Saloon	J7R	R9024	Drive Shaft	23	23	698.5	
2.1 D (48 kW)	1986.03-1989.12	MT	L/R	Saloon	J8S	R9024	Drive Shaft	23	23	698.5	
2.1 Turbo-D (65 kW)	1986.03-1994.06	MT/AT	L/R	Saloon	J8S	R9024	Drive Shaft	23	23	698.5	
2.2 (79 kW)	1986.07-1994.02	MT/AT	L/R	Saloon	J7T	R9024	Drive Shaft	23	23	698.5	
2.2 4WD (79 kW)	1990.07-1994.02	MT/AT	L/R	Saloon	J7T	R9024	Drive Shaft	23	23	698.5	
25 (B29_)											
2.0 (74 kW)	1984.04-1992.12	MT	L/R	Hatchback	J6R	R9945A	Drive Shaft	23	23	720	48T
	1984.04-1992.12	MT/AT	L/R	Hatchback	J6R	R9027	Drive Shaft	23	23	713	
	1984.04-1992.12	MT/AT	L/R	Hatchback	J6R	R9042	Drive Shaft	23	23	713	
2.1 Diesel (46 kW)	1984.04-1989.05	MT	L/R	Hatchback	J8S	R9027	Drive Shaft	23	23	713	
	1984.04-1989.05	MT	L/R	Hatchback	J8S	R9042	Drive Shaft	23	23	713	
	1984.04-1989.05	MT	L/R	Hatchback	J8S	R9945A	Drive Shaft	23	23	720	48T
2.1 Turbo-D (63 kW)	1984.04-1992.12	MT	L/R	Hatchback	J8S	R9027	Drive Shaft	23	23	713	
	1984.04-1992.12	MT	L/R	Hatchback	J8S	R9042	Drive Shaft	23	23	713	
	1984.04-1992.12	MT	L/R	Hatchback	J8S	R9945A	Drive Shaft	23	23	720	48T
2.2 (79 kW)	1986.09-1992.12	MT	L/R	Hatchback	J7T	R9027	Drive Shaft	23	23	713	
	1986.09-1992.12	MT	L/R	Hatchback	J7T	R9042	Drive Shaft	23	23	713	
	1986.09-1992.12	MT	L/R	Hatchback	J7T	R9945A	Drive Shaft	23	23	720	48T

Model	Year	Gearbox	Side	Body	Engine	Index	Product	Specification			
								A	B	C	ABS
2.2 (89 kW)	1984.04-1989.12	MT	L/R	Hatchback	J7T	R9027	Drive Shaft	23	23	713	
	1984.04-1989.12	MT	L/R	Hatchback	J7T	R9042	Drive Shaft	23	23	713	
	1984.04-1989.12	MT	L/R	Hatchback	J7T	R9945A	Drive Shaft	23	23	720	48T
2.2 (91 kW)	1984.04-1989.12	MT	L/R	Hatchback	J7T	R9027	Drive Shaft	23	23	713	
	1984.04-1989.12	MT	L/R	Hatchback	J7T	R9042	Drive Shaft	23	23	713	
	1984.04-1989.12	MT	L/R	Hatchback	J7T	R9945A	Drive Shaft	23	23	720	48T
9 (L42_)											
1.1 (35 kW)	1981.09-1987.05	MT	L	Saloon	C1E	R9101	Drive Shaft	21	29.95	633.5	
	1981.09-1987.05	MT	R	Saloon	C1E	R9102	Drive Shaft	21	23	726	
1.2 (40 kW)	1985.09-1988.12		L	Saloon	C1G	R9959	Drive Shaft	21	29.95	639	
	1985.09-1988.12	MT	L	Saloon	C1G	R9101	Drive Shaft	21	29.95	633.5	
	1985.09-1988.12	MT	R	Saloon	C1G	R9102	Drive Shaft	21	23	726	
1.4 (44 kW)	1981.12-1988.12	MT	L	Saloon	C1J	R9101	Drive Shaft	21	29.95	633.5	
	1981.12-1988.12	MT	R	Saloon	C1J	R9102	Drive Shaft	21	23	726	
1.4 (49 kW)	1985.09-1988.12	MT	L	Saloon	C2J	R9101	Drive Shaft	21	29.95	633.5	
	1985.09-1988.12	MT	R	Saloon	C2J	R9102	Drive Shaft	21	23	726	
1.4 (50 kW)	1981.09-1985.12	3AT	R	Saloon	C2J	R9102	Drive Shaft	21	23	726	
	1981.09-1985.12	AT	R	Saloon	C2J	R9102	Drive Shaft	21	23	726	
1.4 (53 kW)	1981.09-1985.12	MT	L	Saloon	C2J	R9101	Drive Shaft	21	29.95	633.5	
	1981.09-1985.12	MT	R	Saloon	C2J	R9102	Drive Shaft	21	23	726	
1.6 D (40 kW)	1982.10-1988.12	MT	L	Saloon	F8M	R9101	Drive Shaft	21	29.95	633.5	
	1982.10-1988.12	MT&3AT	R	Saloon	F8M	R9102	Drive Shaft	21	23	726	
1.7 (54 kW)	1986.10-1988.12	MT	L	Saloon	F3N	R9101	Drive Shaft	21	29.95	633.5	
	1986.10-1988.12	MT	R	Saloon	F3N	R9102	Drive Shaft	21	23	726	
1.7 (55 kW)	1986.10-1988.12	MT	L	Saloon	F2N	R9101	Drive Shaft	21	29.95	633.5	
	1986.10-1988.12	MT	R	Saloon	F2N	R9102	Drive Shaft	21	23	726	
1.7 (59 kW)	1984.09-1988.12	MT	L	Saloon	F2N	R9101	Drive Shaft	21	29.95	633.5	
	1984.09-1988.12	MT	R	Saloon	F2N	R9102	Drive Shaft	21	23	726	
CLIO											
1.1	1990-		L			R9019	Drive Shaft	21	29.95	610	
	1990-		R			R9020	Drive Shaft	21	23	698.5	
1.2	1990-		L			R9019	Drive Shaft	21	29.95	610	
	1990-		R			R9020	Drive Shaft	21	23	698.5	
1.4	1990-		L			R9019	Drive Shaft	21	29.95	610	
	1990-		R			R9020	Drive Shaft	21	23	698.5	
1.7	1990-		R			R9020	Drive Shaft	21	23	698.5	
1.9	1990-		L			R9019	Drive Shaft	21	29.95	610	
	1990-		R			R9020	Drive Shaft	21	23	698.5	
CLIO II (BB0/1/2_ ,CB0/1/2_)											
1.2 (43 kW)	1998.09-	MT		Hatchback	D7F	R918A	Outer Joint	21	30	145	26T
	1998.09-	MT	L	Hatchback	D7F	R9004	Drive Shaft	21	29.95	623	
	1998.09-	MT	L	Hatchback	D7F	R9004A	Drive Shaft	21	29.95	625.7	26T
	1998.09-	MT	L	Hatchback	D7F	R9005A	Drive Shaft	21	29.95	629	44T
	1998.09-		R	Hatchback	D7F	R9006A	Drive Shaft	21	23	723.5	44T
	1998.09-	MT	R	Hatchback	D7F	R9016	Drive Shaft	21	23	712	
	1998.09-	MT	R	Hatchback	SPRING PIN	R9045	Drive Shaft	21	23	714	
	1998.09-	MT	R	Hatchback	D7F	R9092A	Drive Shaft	21	23	715	26T
	1998.09-	MT	R	Hatchback	D7F	R9055A	Drive Shaft	21	23	728	26T
1.2 (44 kW)	1999.03-2001.05			Hatchback	D7F	R918A	Outer Joint	21	30	145	26T

Model	Year	Gearbox	Side	Body	Engine	Index	Product	Specification			
								A	B	C	ABS
1.2 (55 kW)	2001.06-2003.10	MT	L	Hatchback		R9004	Drive Shaft	21	29.95	623	
	2001.06-2003.10	MT	L	Hatchback		R9004A	Drive Shaft	21	29.95	625.7	26T
	2001.06-2003.10	MT	L	Hatchback		R9005A	Drive Shaft	21	29.95	629	44T
	2001.06-2003.10		R	Hatchback		R9006A	Drive Shaft	21	23	723.5	44T
	2001.06-2003.10	MT	R	Hatchback		R9016	Drive Shaft	21	23	712	
	2001.06-2003.10	MT	R	Hatchback		R9092A	Drive Shaft	21	23	715	26T
	2001.06-2003.10	MT	R	Hatchback		R9055A	Drive Shaft	21	23	728	26T
1.2 16V (55 kW)	2001.06-	MT	L	Hatchback	D4F	R9004	Drive Shaft	21	29.95	623	
	2001.06-	MT	L	Hatchback	D4F	R9004A	Drive Shaft	21	29.95	625.7	26T
	2001.06-	MT	L	Hatchback	D4F	R9005A	Drive Shaft	21	29.95	629	44T
	2001.06-		R	Hatchback	D4F	R9006A	Drive Shaft	21	23	723.5	44T
	2001.06-	MT	R	Hatchback	D4F	R9016	Drive Shaft	21	23	712	
	2001.06-	MT	R	Hatchback	SPRING PIN	R9045	Drive Shaft	21	23	714	
	2001.06-	MT	R	Hatchback	D4F	R9092A	Drive Shaft	21	23	715	26T
	2001.06-	MT	R	Hatchback	D4F	R9055A	Drive Shaft	21	23	728	26T
1.4 (55 kW)	1998.09-2005.05	MT		Hatchback	E7J	R918A	Outer Joint	21	30	145	26T
	1998.09-2005.05	MT	L	Hatchback	E7J	R9004	Drive Shaft	21	29.95	623	
	1998.09-2005.05	MT	L	Hatchback	E7J	R9004A	Drive Shaft	21	29.95	625.7	26T
	1998.09-2005.05	MT	R	Hatchback	E7J	R9016	Drive Shaft	21	23	712	
	1998.09-2005.05	MT	R	Hatchback	SPRING PIN	R9045	Drive Shaft	21	23	714	
	1998.09-2005.05	MT	R	Hatchback	E7J	R9092A	Drive Shaft	21	23	715	26T
	1998.09-2005.05	MT	R	Hatchback	E7J	R9055A	Drive Shaft	21	23	728	26T
	1998.09-2005.05			Hatchback	K4J	R918A	Outer Joint	21	30	145	26T
1.4 16V (70 kW)	1999.10-2000.08		L	Hatchback	K4J	R9004	Drive Shaft	21	29.95	623	
	1999.10-2000.08	MT	L	Hatchback	K4J	R9004A	Drive Shaft	21	29.95	625.7	26T
	1999.10-2000.08	MT	R	Hatchback	K4J	R9016	Drive Shaft	21	23	712	
	1999.10-2000.08	MT	R	Hatchback	SPRING PIN	R9045	Drive Shaft	21	23	714	
	1999.10-2000.08	MT	R	Hatchback	K4J	R9092A	Drive Shaft	21	23	715	26T
	1999.10-2000.08	MT	R	Hatchback	K4J	R9055A	Drive Shaft	21	23	728	26T
	1999.10-2000.08	MT	R	Hatchback	K4J	R9006A	Drive Shaft	21	23	723.5	44T
1.4 16V (72 kW)	2000.08-			Hatchback	K4J	R918A	Outer Joint	21	30	145	26T
	2000.08-	MT	L	Hatchback	K4J	R9004	Drive Shaft	21	29.95	623	
	2000.08-	MT	L	Hatchback	K4J	R9004A	Drive Shaft	21	29.95	625.7	26T
	2000.08-	MT	L	Hatchback	K4J	R9005A	Drive Shaft	21	29.95	629	44T
	2000.08-	MT	R	Hatchback	K4J	R9016	Drive Shaft	21	23	712	
	2000.08-	MT	R	Hatchback	SPRING PIN	R9045	Drive Shaft	21	23	714	
	2000.08-	MT	R	Hatchback	K4J	R9092A	Drive Shaft	21	23	715	26T
	2000.08-	MT	R	Hatchback	K4J	R9055A	Drive Shaft	21	23	728	26T
	2000.08-	MT	R	Hatchback	K4J	R9006A	Drive Shaft	21	23	723.5	44T
1.5 DCi (50 kW)	2004.08-	MT		Hatchback	K9K	R821	Outer Joint	23	29	143	
	2004.08-	MT	L	Hatchback	K9K	R9048A	Drive Shaft	23	26	619	44T
	2004.08-	MT	R	Hatchback	K9K	R9050A	Drive Shaft	23	26	866	44T
	2004.08-	MT	R	Hatchback	K9K	R9055A	Drive Shaft	21	23	728	26T
1.5 DCi (48 kW)	2001.06-	MT	R	Hatchback	K9K	R9055A	Drive Shaft	21	23	728	26T
	2001.06-	MT	R	Hatchback	SPRING PIN	R9045	Drive Shaft	21	23	714	
1.5 DCi (60 kW)	2001.06-		L	Hatchback	K9K	R9833A	Drive Shaft	23	29.95	630	44T
	2001.06-	MT	R	Hatchback	SPRING PIN	R9045	Drive Shaft	21	23	714	
	2001.06-	MT	R	Hatchback	K9K	R9832A	Drive Shaft	23	23	724	44T
	2001.06-	MT	R	Hatchback	K9K	R9834A	Drive Shaft	23	23	724	26T
	2001.06-	MT	L	Hatchback	K9K	R9835A	Drive Shaft	23	23	631	26T

Model	Year	Gearbox	Side	Body	Engine	Index	Product	Specification			
								A	B	C	ABS
	2001.06-	MT		Hatchback	K9K	R923A	Outer Joint	23			
1.5 DCi (62 kW)	2007.02-	MT	L	Hatchback	K9K	R9048A	Drive Shaft	23	26	619	44T
	2007.02-	MT	R	Hatchback	K9K	R9050A	Drive Shaft	23	26	866	44T
1.6 (66 kW)	1998.09-2005.05			Hatchback	K7M	R918A	Outer Joint	21	30	145	26T
	1998.09-2005.05	MT	L	Hatchback	K7M	R9004	Drive Shaft	21	29.95	623	
	1998.09-2005.05	MT	L	Hatchback	K7M	R9004A	Drive Shaft	21	29.95	625.7	26T
	1998.09-2005.05	MT	R	Hatchback	K7M	R9016	Drive Shaft	21	23	712	
	1998.09-2005.05	MT	R	Hatchback	SPRING PIN	R9045	Drive Shaft	21	23	714	
	1998.09-2005.05	MT	R	Hatchback	K7M	R9092A	Drive Shaft	21	23	715	26T
	1998.09-2005.05	MT	R	Hatchback	K7M	R9055A	Drive Shaft	21	23	728	26T
1.6 16V (79 kW)	1998.09-	MT		Hatchback	K4M	R918A	Outer Joint	21	30	145	26T
	1998.09-	MT	L	Hatchback	K4M	R9004	Drive Shaft	21	29.95	623	
	1998.09-	MT	L	Hatchback	K4M	R9004A	Drive Shaft	21	29.95	625.7	26T
	1998.09-	MT	L	Hatchback	K4M	R9005A	Drive Shaft	21	29.95	629	44T
	1998.09-	MT	R	Hatchback	K4M	R9016	Drive Shaft	21	23	712	
	1998.09-	MT	R	Hatchback	SPRING PIN	R9045	Drive Shaft	21	23	714	
	1998.09-	MT	R	Hatchback	K4M	R9092A	Drive Shaft	21	23	715	26T
	1998.09-	MT	R	Hatchback	K4M	R9055A	Drive Shaft	21	23	728	26T
1.9 D (47 kW)	1998.09-2005.05	MT		Hatchback	F8Q	R918A	Outer Joint	21	30	145	26T
	1998.09-2005.05	MT	R	Hatchback	F8Q	R9016	Drive Shaft	21	23	712	
	1998.09-2005.05	MT	R	Hatchback	F8Q	R9092A	Drive Shaft	21	23	715	26T
	1998.09-2005.05	MT	R	Hatchback	F8Q	R9055A	Drive Shaft	21	23	728	26T
1.9 D (48 kW)	2000.02-2001.05			Hatchback	F8Q	R918A	Outer Joint	21	30	145	26T
	2000.02-2001.05		R	Hatchback	F8Q	R9016	Drive Shaft	21	23	712	
	2000.02-2001.05		R	Hatchback	F8Q	R9092A	Drive Shaft	21	23	715	26T
	2000.02-2001.05		R	Hatchback	F8Q	R9055A	Drive Shaft	21	23	728	26T
1.9 DTi (59 kW)	1999.12-2005.05			Hatchback	F9Q	R918A	Outer Joint	21	30	145	26T
	1999.12-2005.05	MT	R	Hatchback	SPRING PIN	R9045	Drive Shaft	21	23	714	
	1999.12-2005.05	MT	R	Hatchback	F9Q	R9055A	Drive Shaft	21	23	728	26T
CLIO II (SB0/1/2)											
1.1 (43 kW)	1998.09-	MT	L	Box	D7F	R9004	Drive Shaft	21	29.95	623	
	1998.09-	MT	L	Box	D7F	R9004A	Drive Shaft	21	29.95	625.7	26T
	1998.09-		R	Box	D7F	R9006A	Drive Shaft	21	23	723.5	44T
	1998.09-	MT	R	Box	D7F	R9016	Drive Shaft	21	23	712	
	1998.09-	MT	R	Box	D7F	R9092A	Drive Shaft	21	23	715	26T
	1998.09-	MT	R	Box	D7F	R9055A	Drive Shaft	21	23	728	26T
1.5 DCi (48 kW)	2001.06-			Box	K9K	R918A	Outer Joint	21	30	145	26T
	2001.06-	MT	R	Box	K9K	R9055A	Drive Shaft	21	23	728	26T
1.9 D (40 kW)	1999.03-2000.01			Box	F8Q	R918A	Outer Joint	21	30	145	26T
1.9 D (47 kW)	1998.09-	MT		Box	F8Q	R918A	Outer Joint	21	30	145	26T
	1998.09-	MT	R	Box	F8Q	R9016	Drive Shaft	21	23	712	
	1998.09-	MT	R	Box	F8Q	R9092A	Drive Shaft	21	23	715	26T
	1998.09-	MT	R	Box	F8Q	R9055A	Drive Shaft	21	23	728	26T
1.9 D (48 kW)	2000.02-2001.05			Box	F8Q	R918A	Outer Joint	21	30	145	26T
CLIO III (BR0/1,CR0/1)											
1.2 16V (48 kW)	2005.06-			Hatchback	D4F	R963	Outer Joint	23	28	138	
	2005.06-		L	Hatchback	D4F	R9741	Drive Shaft	23	26	651	
	2005.06-		R	Hatchback	D4F	R9742	Drive Shaft	23	26	890	
1.2 16V (55 kW)	2005.06-			Hatchback	D4F	R963	Outer Joint	23	28	138	

Model	Year	Gearbox	Side	Body	Engine	Index	Product	Specification			
								A	B	C	ABS
	2005.06-		L	Hatchback	D4F	R9741	Drive Shaft	23	26	651	
	2005.06-		R	Hatchback	D4F	R9742	Drive Shaft	23	26	890	
1.2 16V (58 kW)	2005.06-			Hatchback	D4F	R963	Outer Joint	23	28	138	
	2005.06-		L	Hatchback	D4F	R9741	Drive Shaft	23	26	651	
	2005.06-		R	Hatchback	D4F	R9742	Drive Shaft	23	26	890	
1.2 16V (74 kW)	2007.05-	AT		Hatchback	D4F	R963	Outer Joint	23	28	138	
1.2 16V Hi-Flex (55 kW)	2008.07-			Hatchback	D4F	R963	Outer Joint	23	28	138	
1.4 16V (72 kW)	2005.06-			Hatchback	K4J	R821	Outer Joint	23	29	143	
	2005.06-		L	Hatchback	K4J	R9739	Drive Shaft	23	26	649	
	2005.06-		R	Hatchback	K4J	R9740	Drive Shaft	23	26	897	
1.5 DCi (60 kW)	2007.11-		L	Hatchback	K9K	R9739	Drive Shaft	23	26	649	
	2007.11-		R	Hatchback	K9K	R9740	Drive Shaft	23	26	897	
1.5 DCi (47 kW)	2005.06-		L	Hatchback	K9K	R9739	Drive Shaft	23	26	649	
	2005.06-		R	Hatchback	K9K	R9740	Drive Shaft	23	26	897	
1.5 DCi (48 kW)	2005.05-		L	Hatchback	K9K	R9739	Drive Shaft	23	26	649	
	2005.05-		R	Hatchback	K9K	R9740	Drive Shaft	23	26	897	
1.5 DCi (50 kW)	2005.06-			Hatchback	K9K	R821	Outer Joint	23	29	143	
	2005.06-		L	Hatchback	K9K	R9739	Drive Shaft	23	26	649	
	2005.06-		R	Hatchback	K9K	R9740	Drive Shaft	23	26	897	
1.5 DCi (63 kW)	2005.06-			Hatchback	K9K	R821	Outer Joint	23	29	143	
	2005.06-		L	Hatchback	K9K	R9739	Drive Shaft	23	26	649	
	2005.06-		R	Hatchback	K9K	R9740	Drive Shaft	23	26	897	
1.5 DCi (76 kW)	2005.06-		L	Hatchback	K9K	R9739	Drive Shaft	23	26	649	
	2005.06-		R	Hatchback	K9K	R9740	Drive Shaft	23	26	897	
1.6 16V (65 kW)	2005.06-			Hatchback	K4M	R964	Outer Joint	23	30	145	
	2005.06-		L	Hatchback	K4M	R9739	Drive Shaft	23	26	649	
1.6 16V (82 kW)	2005.06-	5MT		Hatchback	K4M	R964	Outer Joint	23	30	145	
	2005.06-		L	Hatchback	K4M	R9739	Drive Shaft	23	26	649	
	2005.06-		R	Hatchback	K4M	R9740	Drive Shaft	23	26	897	
CLIO III GRANDTOUR (KR0/1_)											
1.2 16V (55 kW)	2008.02-			Estate	D4F	R963	Outer Joint	23	28	138	
	2008.02-		L	Estate	D4F	R9741	Drive Shaft	23	26	651	
	2008.02-		R	Estate	D4F	R9742	Drive Shaft	23	26	890	
1.2 16V (58 kW)	2008.02-			Estate	D4F	R963	Outer Joint	23	28	138	
	2008.02-		L	Estate	D4F	R9741	Drive Shaft	23	26	651	
	2008.02-		R	Estate	D4F	R9742	Drive Shaft	23	26	890	
1.2 16V Hi-Flex (55 kW)	2008.07-			Estate	D4F	R963	Outer Joint	23	28	138	
1.5 DCi (50 kW)	2008.02-			Estate	K9K	R821	Outer Joint	23	29	143	
	2008.02-		L	Estate	K9K	R9739	Drive Shaft	23	26	649	
	2008.02-		R	Estate	K9K	R9740	Drive Shaft	23	26	897	
1.5 DCi (63 kW)	2008.02-			Estate	K9K	R963	Outer Joint	23	28	138	
	2008.02-		L	Estate	K9K	R9739	Drive Shaft	23	26	649	
	2008.02-		R	Estate	K9K	R9740	Drive Shaft	23	26	897	
1.5 DCi (78 kW)	2008.02-	MT	L	Estate	K9K	R9739	Drive Shaft	23	26	649	
	2008.02-	MT	R	Estate	K9K	R9740	Drive Shaft	23	26	897	
1.6 16V (82 kW)	2008.02-	5MT		Estate	K4M	R964	Outer Joint	23	30	145	
ESPACE II (J/S63_)											
2.0 (76 kW)	1991.01-1996.10	MT/AT	L/R	MPV	J7R	R9027	Drive Shaft	23	23	713	
	1991.01-1996.10	MT/AT	L/R	MPV	J7R	R9042	Drive Shaft	23	23	713	

Model	Year	Gearbox	Side	Body	Engine	Index	Product	Specification			
								A	B	C	ABS
	1991.01-1996.10	MT/AT	L/R	MPV	J7R	R9945A	Drive Shaft	23	23	720	48T
2.1 TD (65 kW)	1991.01-1996.10	MT/AT	L/R	MPV	J8S	R9027	Drive Shaft	23	23	713	
	1991.01-1996.10	MT/AT	L/R	MPV	J8S	R9042	Drive Shaft	23	23	713	
	1991.01-1996.10	MT/AT	L/R	MPV	J8S	R9945A	Drive Shaft	23	23	720	48T
2.2 (79 kW)	1991.01-1996.10	MT/AT	L/R	MPV	J7T	R9027	Drive Shaft	23	23	713	
	1991.01-1996.10	MT/AT	L/R	MPV	J7T	R9042	Drive Shaft	23	23	713	
	1991.01-1996.10	MT/AT	L/R	MPV	J7T	R9945A	Drive Shaft	23	23	720	48T
2.2 4WD (79 kW)	1991.03-1996.12	MT/AT	L/R	MPV	J7T	R9027	Drive Shaft	23	23	713	
	1991.03-1996.12	MT/AT	L/R	MPV	J7T	R9042	Drive Shaft	23	23	713	
	1991.03-1996.12	MT/AT	L/R	MPV	J7T	R9945A	Drive Shaft	23	23	720	48T
ESPACE III (JE0_)											
1.9 DTi (72 kW)	1999.02-2002.10	MT	L	MPV	F9Q	R9812A	Drive Shaft	27	29.95	729	44T
2.0 (102 kW)	2001.09-2002.10	MT	R	MPV	F4R	R9811A	Drive Shaft	27	23	772	44T
	2001.09-2002.10	MT	L	MPV	F4R	R9812A	Drive Shaft	27	29.95	729	44T
2.0 (84 kW)	1996.11-2000.10	MT	R	MPV	F3R	R9811A	Drive Shaft	27	23	772	44T
	1996.11-2000.10	MT	L	MPV	F3R	R9812A	Drive Shaft	27	29.95	729	44T
2.0 16V (103 kW)	1998.10-2002.10	MT	R	MPV	F4R	R9811A	Drive Shaft	27	23	772	44T
	1998.10-2002.10	MT		MPV	F4R	R9812A	Drive Shaft	27	29.95	729	44T
2.2 12V TD (83 kW)	1996.11-2000.10	MT	R	MPV	G8T	R9813A	Drive Shaft	27	39	978	44T
ESPACE IV (JK0/1_)											
1.9 DCi (85 kW)	2003.04- 2005.02		R	MPV	F9Q	R9815	Drive Shaft	27	39	995	
1.9 DCi (88 kW)	2002.11-		R	MPV	F9Q	R9815	Drive Shaft	27	39	995	
2.0 (100 kW)	2002.11-		R	MPV	F4R	R9815	Drive Shaft	27	39	995	
2.0 Turbo (120 kW)	2002.11-		R	MPV	F4RT	R9815	Drive Shaft	27	39	995	
2.0 Turbo (125 kW)	2005.05- 2007.01		R	MPV	F4RT	R9815	Drive Shaft	27	39	995	
2.2 DCi (110 kW)	2002.11-			MPV	G9T	R733	Outer Joint	27	37	165	
FLUENCE (L30_)											
1.5 DCi (63 kW)	2010.02-		L	Saloon	K9K	R9906	Drive Shaft	25	26	685	
	2010.02-			Saloon	K9K	R969	Outer Joint	25	33	147	
	2010.02-	MT5	L	Saloon	K9K	R9124	Drive Shaft	25	26	700	
1.5 DCi (66 kW)	2010.02-		L	Saloon	K9K	R9906	Drive Shaft	25	26	685	
	2010.02-			Saloon	K9K	R969	Outer Joint	25	33	147	
1.5 DCi (79 kW)	2010.02-		L	Saloon	K9K	R9906	Drive Shaft	25	26	685	
	2010.02-			Saloon	K9K	R969	Outer Joint	25	33	147	
1.5 DCi (81 kW)	2010.02-		L	Saloon	K9K	R9906	Drive Shaft	25	26	685	
	2010.02-			Saloon	K9K	R969	Outer Joint	25	33	147	
1.6 16V (81 kW)	2010.02-	MT	L	Saloon	K4M	R9124	Drive Shaft	25	26	700	
1.6 16V (82 kW)	2010.02-	MT	L	Saloon	K4M	R9124	Drive Shaft	25	26	700	
GRAND SCENIC II (JM0/1_)											
1.5 DCi (74 kW)	2004.04-		L	MPV	K9K	R9902	Drive Shaft	25	26	674	
	2004.04-			MPV	K9K	R967	Outer Joint	25	30	146	
	2006.08-		L	MPV	K9K	R9125	Drive Shaft	25	26	660	
1.6 (77kW)	2006.06-	MT	R	MPV	K4M	R9903	Drive Shaft	25	26	911	
1.6 (83 kW)	2004.04-	MT	R	MPV	K4M	R9903	Drive Shaft	25	26	911	
1.9 DCi (81 kW)	2005.05-			MPV	F9Q	R966	Outer Joint	25	33	150	
	2005.05-	MT	L	MPV	F9Q	R9904	Drive Shaft	25	39	638	
	2005.05-		R	MPV	F9Q	R9905	Drive Shaft	25	39	932	
1.9 DCi (88 kW)	2004.04-			MPV	F9Q	R966	Outer Joint	25	33	150	
	2004.04-	MT	L	MPV	F9Q	R9904	Drive Shaft	25	39	638	

Model	Year	Gearbox	Side	Body	Engine	Index	Product	Specification			
								A	B	C	ABS
	2004.04-		R	MPV	F9Q	R9905	Drive Shaft	25	39	932	
1.9 DCi (96 kW)	2005.05-			MPV	F9Q	R966	Outer Joint	25	33	150	
	2005.05-	MT	L	MPV	F9Q	R9904	Drive Shaft	25	39	638	
	2005.05-		R	MPV	F9Q	R9905	Drive Shaft	25	39	932	
2.0 (120 kW)	2004.04-			MPV	F4R	R966	Outer Joint	25	33	150	
	2004.04-	MT	L	MPV	F4R	R9904	Drive Shaft	25	39	638	
	2004.04-	MT	R	MPV	F4R	R9905	Drive Shaft	25	39	932	
2.0 (99 kW)	2004.04-			MPV	F4R	R966	Outer Joint	25	33	150	
	2004.04-	MT	L	MPV	F4R	R9904	Drive Shaft	25	39	638	
	2004.04-	MT	R	MPV	F4R	R9905	Drive Shaft	25	39	932	
GRAND SCENIC III (JZ0/1_)											
1.5 DCi (63 kW)	2009.04-		L	MPV	K9K	R9906	Drive Shaft	25	26	685	
	2009.04-		R	MPV	K9K	R9907	Drive Shaft	25	26	947	
	2009.04-			MPV	K9K	R969	Outer Joint	25	33	147	
1.5 DCi (79 kW)	2009.02-		L	MPV	K9K	R9906	Drive Shaft	25	26	685	
	2009.02-		R	MPV	K9K	R9907	Drive Shaft	25	26	947	
	2009.02-			MPV	K9K	R969	Outer Joint	25	33	147	
1.5 DCi (81 kW)	2009.04-		L	MPV	K9K	R9906	Drive Shaft	25	26	685	
	2009.04-		R	MPV	K9K	R9907	Drive Shaft	25	26	947	
	2009.04-			MPV	K9K	R969	Outer Joint	25	33	147	
KANGOO (KC0/1_)											
1.2 (43 kW)	1997.08-			MPV	D7F	R918A	Outer Joint	21	30	145	26T
	1997.08-	MT	L	MPV	D7F	R9004	Drive Shaft	21	29.95	623	
	1997.08-	MT	R	MPV	D7F	R9055A	Drive Shaft	21	23	728	26T
1.2 16V (55 kW)	2001.06-			MPV	D4F	R916A	Outer Joint	23	30	145	44T
	2001.06-	MT	L	MPV	D4F	R9004	Drive Shaft	21	29.95	623	
	2001.06-	MT	L	MPV	D4F	R9005A	Drive Shaft	21	29.95	629	44T
	2001.06-	MT	R	MPV	SPRING PIN	R9045	Drive Shaft	21	23	714	
	2001.06-	MT	R	MPV	D4F	R9055A	Drive Shaft	21	23	728	26T
	2001.06-		R	MPV	D4F	R9836	Drive Shaft	23	23	730	26T
1.4 (55 kW)	1997.08-			MPV	E7J	R918A	Outer Joint	21	30	145	26T
	1997.08-	MT	L	MPV	E7J	R9004	Drive Shaft	21	29.95	623	
	1997.08-	MT	R	MPV	E7J	R9055A	Drive Shaft	21	23	728	26T
1.5 DCi (42 kW)	2003.07-			MPV	K9K	R916A	Outer Joint	23	30	145	44T
1.5 DCi (48 kW)	2001.12-			MPV	K9K	R916A	Outer Joint	23	30	145	44T
	2001.12-	MT	R	MPV	SPRING PIN	R9045	Drive Shaft	21	23	714	
	2001.12-	MT	R	MPV	K9K	R9055A	Drive Shaft	21	23	728	26T
1.5 DCi (50 kW)	2005.06-			MPV	K9K	R916A	Outer Joint	23	30	145	44T
	2005.06-	MT	L	MPV	K9K	R9048A	Drive Shaft	23	26	619	44T
	2005.06-	MT	R	MPV	K9K	R9050A	Drive Shaft	23	26	866	44T
1.5 DCi (60 kW)	2002.07-			MPV	K9K	R916A	Outer Joint	23	30	145	44T
	2002.07-		L	MPV	K9K	R9833A	Drive Shaft	23	29.95	630	44T
	2002.07-	MT	R	MPV	K9K	R9832A	Drive Shaft	23	23	724	44T
	2002.07-	MT	R	MPV	K9K	R9834A	Drive Shaft	23	23	724	26T
	2002.07-	MT	L	MPV	K9K	R9835A	Drive Shaft	23	23	631	26T
	2002.07-	MT		MPV	K9K	R923A	Outer Joint	23			
1.5 DCi (62 kW)	2005.06-	MT	L	MPV	K9K	R9048A	Drive Shaft	23	26	619	44T
	2002.07-	MT	R	MPV	K9K	R9050A	Drive Shaft	23	26	866	44T
1.6 16V (70 kW)	2001.06-	MT	L	MPV	K4M	R9004	Drive Shaft	21	29.95	623	

Model	Year	Gearbox	Side	Body	Engine	Index	Product	Specification			
								A	B	C	ABS
	2001.06-	MT	R	MPV	SPRING PIN	R9045	Drive Shaft	21	23	714	
	2001.06-	MT	R	MPV	K4M	R9055A	Drive Shaft	21	23	728	26T
1.6 16V 4x4 (70 Kw)	2001.10-	MT	L	MPV	K4M	R9057	Drive Shaft	23	29.95	645	44T
1.9 DCi 4x4 (59 kW)	2001.10-	MT	L	MPV	F9Q	R9057	Drive Shaft	23	29.95	645	44T
1.9 DCi 4x4 (62 kW)	2001.10-	MT	L	MPV	F9Q	R9057	Drive Shaft	23	29.95	645	44T
1.9 D 55 (40 kW)	1997.08-			MPV	F8Q	R918A	Outer Joint	21	30	145	26T
	1997.08-	MT	R	MPV	F8Q	R9055A	Drive Shaft	21	23	728	26T
1.9 D 65 (47 kW)	1997.08-	MT	L	MPV	F8Q	R9005A	Drive Shaft	21	29.95	629	44T
	1997.08-	MT	R	MPV	F8Q	R9055A	Drive Shaft	21	23	728	26T
1.9 DTi (59 kW)	2000.02-	MT	R	MPV	SPRING PIN	R9045	Drive Shaft	21	23	714	
	2000.02-	MT	R	MPV	F9Q	R9055A	Drive Shaft	21	23	728	26T
KANGOO EXPRESS (FC0/1_)											
1.2 (43 kW)	1997.08-			Box	D7F	R918A	Outer Joint	21	30	145	26T
	1997.08-	MT	L	Box	D7F	R9004	Drive Shaft	21	29.95	623	
	1997.08-	MT	L	Box	D7F	R9005A	Drive Shaft	21	29.95	629	44T
	1997.08-	MT	R	Box	D7F	R9055A	Drive Shaft	21	23	728	26T
1.2 (44 kW)	1998.07-2001.07			Box	D7F	R918A	Outer Joint	21	30	145	26T
1.2 16V (55 kW)	2001.10-	MT	L	Box	D4F	R9004	Drive Shaft	21	29.95	623	
	2001.10-	MT	L	Box	D4F	R9005A	Drive Shaft	21	29.95	629	44T
	2001.10-	MT	R	Box	D4F	R9055A	Drive Shaft	21	23	728	26T
1.4 (55 kW)	1997.08-			Box	E7J	R918A	Outer Joint	21	30	145	26T
	1997.08-	MT	L	Box	E7J	R9004	Drive Shaft	21	29.95	623	
	1997.08-	MT	R	Box	E7J	R9055A	Drive Shaft	21	23	728	26T
1.5 DCi (42 kW)	2002.12-	MT	R	Box	K9K	R9055A	Drive Shaft	21	23	728	26T
1.5 DCi (48 kW)	2001.12-			Box	K9K	R916A	Outer Joint	23	30	145	44T
	2001.12-	MT	R	Box	K9K	R9055A	Drive Shaft	21	23	728	26T
1.5 DCi (50 kW)	2005.06-	MT	L	Box	K9K	R9048A	Drive Shaft	23	26	619	44T
	2001.12-	MT	R	Box	K9K	R9050A	Drive Shaft	23	26	866	44T
1.5 DCi (60 kW)	2003.04-		L	Box	K9K	R9833A	Drive Shaft	23	29.95	630	44T
	2003.04-	MT	L	Box	K9K	R9005A	Drive Shaft	21	29.95	629	44T
	2003.04-	MT	R	Box	K9K	R9832A	Drive Shaft	23	23	724	44T
	2003.04-	MT	R	Box	K9K	R9834A	Drive Shaft	23	23	724	26T
	2003.04-	MT	L	Box	K9K	R9835A	Drive Shaft	23	23	631	26T
	2003.04-	MT		Box	K9K	R923A	Outer Joint	23			
1.5 DCi (62 kW)	2005.06-	MT	L	Box	K9K	R9048A	Drive Shaft	23	26	619	44T
	2003.04-	MT	R	Box	K9K	R9050A	Drive Shaft	23	26	866	44T
1.6 16V (70 kW)	2001.10-	MT	L	Box	K4M	R9004	Drive Shaft	21	29.95	623	
	2001.10-	MT	R	Box	K4M	R9055A	Drive Shaft	21	23	728	26T
1.9 D 55 (40 kW)	1997.08-			Box	F8Q	R918A	Outer Joint	21	30	145	26T
	1997.08-	MT	R	Box	F8Q	R9055A	Drive Shaft	21	23	728	26T
1.9 D 65 (47 kW)	1997.08-			Box	F8Q	R918A	Outer Joint	21	30	145	26T
	1997.08-	MT	R	Box	F8Q	R9055A	Drive Shaft	21	23	728	26T
1.9 DTi (59 kW)	2000.02-	MT	R	Box	F9Q	R9055A	Drive Shaft	21	23	728	26T
1.9 DCi 4x4 (59 kW)	2001.10-		L	Box	F9Q	R9057	Drive Shaft	23	29.95	645	44T
1.9 DCi 4x4 (62 kW)	2003.07-		L	Box	F9Q	R9057	Drive Shaft	23	29.95	645	44T
KANGOO II / GRAND KANGOO (KW0/1_)											
1.5 DCi (50 kW)	2008.02-		L	MPV	K9K	R9051	Drive Shaft	27	26	673	
	2008.02-		R	MPV	K9K	R9052	Drive Shaft	27	26	922	
	2008.02-			MPV	K9K	R968	Outer Joint	27	22	145	

Model	Year	Gearbox	Side	Body	Engine	Index	Product	Specification			
								A	B	C	ABS
	2008.02-		L	MPV	K9K	R9899	Drive Shaft	23	26	675	
1.5 DCi (55 kW)	2012.11-		L	MPV	K9K	R9899	Drive Shaft	23	26	675	
1.5 DCi (63 kW)	2008.02-		L	MPV	K9K	R9051	Drive Shaft	27	26	673	
	2008.02-		R	MPV	K9K	R9052	Drive Shaft	27	26	922	
	2008.02-			MPV	K9K	R968	Outer Joint	27	22	145	
1.5 DCi (66 kW)	2012.11-		L	MPV	K9K	R9899	Drive Shaft	23	26	675	
1.6 (64 kW)	2008.02-		L	MPV	K7M	R9051	Drive Shaft	27	26	673	
	2008.02-		R	MPV	K7M	R9052	Drive Shaft	27	26	922	
	2008.02-		L	MPV	K7M	R9899	Drive Shaft	23	26	675	
	2008.02-			MPV	K7M	R968	Outer Joint	27	22	145	
1.6 16V (78 kW)	2008.02-		L	MPV	K4M	R9051	Drive Shaft	27	26	673	
	2008.02-		R	MPV	K4M	R9052	Drive Shaft	27	26	922	
	2008.02-			MPV	K4M	R968	Outer Joint	27	22	145	
1.6 16V HiFlex (78 kW)	2008.02-		L	MPV	K4M	R9051	Drive Shaft	27	26	673	
	2008.02-		R	MPV	K4M	R9052	Drive Shaft	27	26	922	
	2008.02-			MPV	K4M	R968	Outer Joint	27	22	145	
KANGOO II BE BOP (KW0/1_)											
1.5 DCi (66 kW)	2009.06-		L	MPV	K9K	R9051	Drive Shaft	27	26	673	
	2009.06-		R	MPV	K9K	R9052	Drive Shaft	27	26	922	
	2009.06-			MPV	K9K	R968	Outer Joint	27	22	145	
	2009.06-		L	MPV	K9K	R9899	Drive Shaft	23	26	675	
1.6 16V (78 kW)	2009.02-		L	MPV	K4M	R9051	Drive Shaft	27	26	673	
	2009.02-		R	MPV	K4M	R9052	Drive Shaft	27	26	922	
	2009.06-			MPV	K4M	R968	Outer Joint	27	22	145	
	2009.06-		L	MPV	K4M	R9899	Drive Shaft	23	26	675	
KANGOO II EXPRESS (FW0/1_)											
1.5 DCi (50 kW)	2008.02-		L	Box	K9K	R9051	Drive Shaft	27	26	673	
	2008.02-		R	Box	K9K	R9052	Drive Shaft	27	26	922	
	2008.02-			Box	K9K	R968	Outer Joint	27	22	145	
1.5 DCi (55 kW)	2010.09-		L	Box	K9K	R9899	Drive Shaft	23	26	675	
1.5 DCi (63 kW)	2008.02-		L	Box	K9K	R9051	Drive Shaft	27	26	673	
	2008.02-		R	Box	K9K	R9052	Drive Shaft	27	26	922	
	2008.02-			Box	K9K	R968	Outer Joint	27	22	145	
1.5 DCi (66 kW)	2009.06-		L	Box	K9K	R9051	Drive Shaft	27	26	673	
	2009.06-		R	Box	K9K	R9052	Drive Shaft	27	26	922	
	2009.06-			Box	K9K	R968	Outer Joint	27	22	145	
1.6 (64 kW)	2008.02-		L	Box	K7M	R9051	Drive Shaft	27	26	673	
	2008.02-		R	Box	K7M	R9052	Drive Shaft	27	26	922	
	2008.02-			Box	K7M	R968	Outer Joint	27	22	145	
	2008.02-		L	Box	K7M	R9899	Drive Shaft	23	26	675	
1.6 16V (72 kW)	2008.02-		L	Box	K4M	R9051	Drive Shaft	27	26	673	
	2008.02-		R	Box	K4M	R9052	Drive Shaft	27	26	922	
	2008.02-			Box	K4M	R968	Outer Joint	27	22	145	
	2008.02-		L	Box	K4M	R9899	Drive Shaft	23	26	675	
1.6 16V (78 kW)	2008.02-		L	Box	K4M	R9051	Drive Shaft	27	26	673	
	2008.02-		R	Box	K4M	R9052	Drive Shaft	27	26	922	
	2008.02-			Box	K4M	R968	Outer Joint	27	22	145	
	2008.02-		L	Box	K4M	R9899	Drive Shaft	23	26	675	
LAGUNA GRANDTOUR (K56_)											

Model	Year	Gearbox	Side	Body	Engine	Index	Product	Specification			
								A	B	C	ABS
1.6 16V (79 kW)	1997.11-2001.03		L	Estate	K4M	R9960	Drive Shaft	23	29.95	706	
	1997.11-2001.03		R	Estate	K4M	R9961	Drive Shaft	23	23	747	
1.8 (66 kW)	1995.09-2001.03	MT	L	Estate	F3P	R9037A	Drive Shaft	23	29.95	702	44T
	1995.09-2001.03	MT	R	Estate	F3P	R9036	Drive Shaft	23	23	748	
	1995.09-2001.03	MT	R	Estate	F3P	R9036A	Drive Shaft	23	23	748	44T
1.8 (69 kW)	1995.09-2001.03	MT	L	Estate	F3P	R9037A	Drive Shaft	23	29.95	702	44T
	1995.09-2001.03	MT	R	Estate	F3P	R9036	Drive Shaft	23	23	748	
	1995.09-2001.03	MT	R	Estate	F3P	R9036A	Drive Shaft	23	23	748	44T
1.8 16V (88 kW)	1998.04-2001.03		L	Estate	F4P	R9960	Drive Shaft	23	29.95	706	
	1998.04-2001.03		R	Estate	F4P	R9961	Drive Shaft	23	23	747	
1.9 DTi (72 kW)	1997.10-2001.03	MT	L	Estate	F9Q	R9960	Drive Shaft	23	29.95	706	
	1997.10-2001.03	MT	R	Estate	F9Q	R9961	Drive Shaft	23	23	747	
1.9 DCi (79 kW)	1999.09-2001.03		L	Estate	F9Q	R9962	Drive Shaft	23	37.1	619	
	1999.09-2001.03		R	Estate	F9Q	R9963	Drive Shaft	23	39	935	
2.0 (83 kW)	1995.09-2001.03	MT	L	Estate	F3R	R9037A	Drive Shaft	23	29.95	702	44T
	1995.09-2001.03	MT	R	Estate	F3R	R9036	Drive Shaft	23	23	748	
	1995.09-2001.03	MT	R	Estate	F3R	R9036A	Drive Shaft	23	23	748	44T
2.0 16V (102 kW)	1995.09-2001.03			Estate	N7Q	R920	Outer Joint	23	25	142	
	1995.09-2001.03	MT	R	Estate	G8T	R9036AU	Drive Shaft	23	23	802	44T
2.2 D (61 kW)	1995.09-2001.03			Estate	G8T	R920	Outer Joint	23	25	142	
2.2 DT (83 kW)	1996.03-2001.03			Estate	G8T	R920	Outer Joint	23	25	142	
LAGUNA I (B56_556_)											
1.6 16V (79 kW)	1997.11-2001.03		L	Hatchback	K4M	R9960	Drive Shaft	23	29.95	706	
	1997.11-2001.03		R	Hatchback	K4M	R9961	Drive Shaft	23	23	747	
1.8 (66 kW)	1993.11-2001.03			Hatchback	F3P	R920	Outer Joint	23	25	142	
	1993.11-2001.03	MT	L	Hatchback	F3P	R9037A	Drive Shaft	23	29.95	702	44T
	1993.11-2001.03	MT	R	Hatchback	F3P	R9036	Drive Shaft	23	23	748	
	1993.11-2001.03	MT	R	Hatchback	F3P	R9036A	Drive Shaft	23	23	748	44T
	1995.08-2001.03			Hatchback	F3P	R920	Outer Joint	23	25	142	
	1995.08-2001.03	MT	L	Hatchback	F3P	R9037A	Drive Shaft	23	29.95	702	44T
	1995.08-2001.03	MT	R	Hatchback	F3P	R9036	Drive Shaft	23	23	748	
	1995.08-2001.03	MT	R	Hatchback	F3P	R9036A	Drive Shaft	23	23	748	44T
1.8 (69 kW)	1995.06-2001.02	MT	L	Hatchback	F3P	R9037A	Drive Shaft	23	29.95	702	44T
	1995.06-2001.02	MT	R	Hatchback	F3P	R9036	Drive Shaft	23	23	748	
	1995.06-2001.02	MT	R	Hatchback	F3P	R9036A	Drive Shaft	23	23	748	44T
	1995.08-2001.03			Hatchback	F3P	R920	Outer Joint	23	25	142	
	1995.08-2001.03	MT	L	Hatchback	F3P	R9037A	Drive Shaft	23	29.95	702	44T
	1995.08-2001.03	MT	R	Hatchback	F3P	R9036	Drive Shaft	23	23	748	
	1995.08-2001.03	MT	R	Hatchback	F3P	R9036A	Drive Shaft	23	23	748	44T
1.8 (70 kW)	1995.06-1998.06			Hatchback	F3P	R920	Outer Joint	23	25	142	
1.8 16V (88 kW)	1998.04-2001.03		L	Hatchback	F4P	R9960	Drive Shaft	23	29.95	706	
	1998.04-2001.03		R	Hatchback	F4P	R9961	Drive Shaft	23	23	747	
1.9 DTi (72 kW)	1997.10-2001.03	MT	L	Hatchback	F9Q	R9960	Drive Shaft	23	29.95	706	
	1997.10-2001.03	MT	R	Hatchback	F9Q	R9961	Drive Shaft	23	23	747	
1.9 DCi (79 kW)	1999.09-2001.03		L	Hatchback	F9Q	R9962	Drive Shaft	23	37.1	619	
	1999.09-2001.03		R	Hatchback	F9Q	R9963	Drive Shaft	23	39	935	
2.0 (103 kW)	1995.06-2001.02			Hatchback	N7Q	R920	Outer Joint	23	25	142	
2.0 (80 kW)	1999.03-2001.03	4AT		Hatchback	F3R	R920	Outer Joint	23	25	142	
2.0 (83 kW)	1993.11-2001.03			Hatchback	F3R	R920	Outer Joint	23	25	142	

Model	Year	Gearbox	Side	Body	Engine	Index	Product	Specification			
								A	B	C	ABS
	1993.11-2001.03	MT	L	Hatchback	F3R	R9037A	Drive Shaft	23	29.95	702	44T
	1993.11-2001.03	MT	R	Hatchback	F3R	R9036	Drive Shaft	23	23	748	
	1993.11-2001.03	MT	R	Hatchback	F3R	R9036A	Drive Shaft	23	23	748	44T
2.0 (84 kW)	1995.06-2001.02			Hatchback	F3R	R920	Outer Joint	23	25	142	
2.0 16V (102 kW)	1995.06-2001.03			Hatchback	N7Q	R920	Outer Joint	23	25	142	
2.0 16V (103 kW)	1999.09-2001.03		L	Hatchback	F4R	R9960	Drive Shaft	23	29.95	706	
	1999.09-2001.03		R	Hatchback	F4R	R9961	Drive Shaft	23	23	747	
2.2 D (61 kW)	1993.11-2001.03			Hatchback	G8T	R920	Outer Joint	23	25	142	
	1993.11-2001.03	MT	R	Hatchback	G8T	R9036AU	Drive Shaft	23	23	802	
2.2 DT (83 kW)	1996.03-2001.03			Hatchback	G8T	R920	Outer Joint	23	25	142	
LAGUNA II (BG0/1_)											
1.6 16V (79 kW)	2001.03-	5MT		Hatchback	K4M	R730	Outer Joint	27	30		
	2001.03-	5MT	L	Hatchback	K4M	R9997	Drive Shaft	27	29.95	723	
	2001.03-	5MT	R	Hatchback	K4M	R9831	Drive Shaft	27	23	802	
1.6 16V (82 kW)	2005.02-	5MT		Hatchback	K4M	R730	Outer Joint	27	30		
1.8 16V (85 kW)	2001.03-	AT		Hatchback	F4P	R731	Outer Joint	27	32	155	
	2001.03-	MT	L	Hatchback	F4P	R9997	Drive Shaft	27	29.95	723	
	2001.03-	MT	R	Hatchback	F4P	R9831	Drive Shaft	27	23	802	
	2001.03-	MT		Hatchback	F4P	R730	Outer Joint	27	30		
1.8 16V (86 kW)	2001.03-			Hatchback	F4P	R731	Outer Joint	27	32	155	
	2001.03-	5MT		Hatchback	F4P	R730	Outer Joint	27	30		
1.8 16V (88 kW)	2001.03-	5MT		Hatchback	F4P	R731	Outer Joint	27	32	155	
	2001.03-	5MT/6MT	L	Hatchback	F4P	R9997	Drive Shaft	27	29.95	723	
	2001.03-	5MT/6MT	R	Hatchback	F4P	R9831	Drive Shaft	27	23	802	
	2001.03-	5MT		Hatchback	F4P	R730	Outer Joint	27	30		
1.8 16V (89 kW)	2001.03-	MT/AT		Hatchback	F4P	R731	Outer Joint	27	32	155	
	2001.03-	MT	L	Hatchback	F4P	R9997	Drive Shaft	27	29.95	723	
	2001.03-	MT	R	Hatchback	F4P	R9831	Drive Shaft	27	23	802	
	2001.03-	MT		Hatchback	F4P	R730	Outer Joint	27	30		
1.9 DCi (68 kW)	2004.03-			Hatchback	F9Q	R732	Outer Joint	27	35	163	
	2004.03-	MT	L	Hatchback	F9Q	R9829	Drive Shaft	27	37.1	632	
	2004.03-	MT	R	Hatchback	F9Q	R9830	Drive Shaft	27	39	967	
1.9 DCi (74 kW)	2001.10-			Hatchback	F9Q	R731	Outer Joint	27	32	155	
	2001.10-	MT	L	Hatchback	F9Q	R9829	Drive Shaft	27	37.1	632	
	2001.10-	MT	R	Hatchback	F9Q	R9830	Drive Shaft	27	39	967	
1.9 DCi (77 kW)	2001.06-	MT/AT		Hatchback	F9Q	R731	Outer Joint	27	32	155	
	2001.06-	5MT/6MT	R	Hatchback	F9Q	R9831	Drive Shaft	27	23	802	
1.9 DCi (79 kW)	2001.03-			Hatchback	F9Q	R732	Outer Joint	27	35	163	
	2001.03-		L	Hatchback	F9Q	R9829	Drive Shaft	27	37.1	632	
	2001.03-		R	Hatchback	F9Q	R9830	Drive Shaft	27	39	967	
1.9 DCi (81 kW)	2005.01-			Hatchback	F9Q	R732	Outer Joint	27	35	163	
	2005.01-	MT	L	Hatchback	F9Q	R9829	Drive Shaft	27	37.1	632	
	2005.01-	MT	R	Hatchback	F9Q	R9830	Drive Shaft	27	39	967	
1.9 DCi (88 kW)	2001.03-			Hatchback	F9Q	R732	Outer Joint	27	35	163	
	2001.03-	5MT/6MT	L	Hatchback	F9Q	R9829	Drive Shaft	27	37.1	632	
	2001.03-	5MT/6MT	R	Hatchback	F9Q	R9830	Drive Shaft	27	39	967	
1.9 DCi (96 kW)	2005.05-			Hatchback	F9Q	R731	Outer Joint	27	32	155	
	2005.05-	MT	L	Hatchback	F9Q	R9829	Drive Shaft	27	37.1	632	
	2005.05-	MT	R	Hatchback	F9Q	R9830	Drive Shaft	27	39	967	

Model	Year	Gearbox	Side	Body	Engine	Index	Product	Specification			
								A	B	C	ABS
2.0 16V (99 kW)	2002.08-			Hatchback	F4R	R731	Outer Joint	27	32	155	
	2002.08-		L	Hatchback	F4R	R9997	Drive Shaft	27	29.95	723	
2.0 16V iDE (103 kW)	2001.04-	MT/AT		Hatchback	F5R	R731	Outer Joint	27	32	155	
	2001.04-	MT	R	Hatchback	F5R	R9830	Drive Shaft	27	23	802	
2.0 DCi (110 kW)	2005.08-			Hatchback	M9R	R733	Outer Joint	27	37	165	
2.2 DCi (102 kW)	2005.05-			Hatchback	G9T	R732	Outer Joint	27	35	163	
2.2 DCi (110 kW)	2001.10-	MT/AT		Hatchback	G9T	R733	Outer Joint	27	37	165	
LAGUNA II GRANDTOUR (KG0/1)											
1.6 16V (79 kW)	2001.03-	5MT		Estate	K4M	R730	Outer Joint	27	30		
	2001.03-	5MT	L	Estate	K4M	R9997	Drive Shaft	27	29.95	723	
	2001.03-	5MT	R	Estate	K4M	R9831	Drive Shaft	27	23	802	
1.6 16V (82 kW)	2005.02-	5MT		Estate	K4M	R730	Outer Joint	27	30		
1.8 16V (85 kW)	2001.03-	AT		Estate	F4P	R731	Outer Joint	27	32	155	
	2001.03-	MT	L	Estate	F4P	R9997	Drive Shaft	27	29.95	723	
	2001.03-	MT	R	Estate	F4P	R9831	Drive Shaft	27	23	802	
	2001.03-	MT		Estate	F4P	R730	Outer Joint	27	30		
1.8 16V (86 kW)	2001.03-			Estate	F4P	R731	Outer Joint	27	32	155	
	2001.03-			Estate	F4P	R730	Outer Joint	27	30		
1.8 16V (88 kW)	2001.03-	5MT		Estate	F4P	R731	Outer Joint	27	32	155	
	2001.03-	5MT/6MT	L	Estate	F4P	R9997	Drive Shaft	27	29.95	723	
	2001.03-	5MT/6MT	R	Estate	F4P	R9831	Drive Shaft	27	23	802	
	2001.03-	5MT/6MT		Estate	F4P	R730	Outer Joint	27	30		
1.8 16V (89 kW)	2001.03-			Estate	F4P	R731	Outer Joint	27	32	155	
	2001.03-	MT	L	Estate	F4P	R9997	Drive Shaft	27	29.95	723	
	2001.03-	MT	R	Estate	F4P	R9831	Drive Shaft	27	23	802	
				Estate	F4P	R730	Outer Joint	27	30		
1.9 DCi (68 kW)	2004.03-			Estate	F9Q	R732	Outer Joint	27	35	163	
	2004.03-	MT	L	Estate	F9Q	R9829	Drive Shaft	27	37.1	632	
	2004.03-	MT	R	Estate	F9Q	R9830	Drive Shaft	27	39	967	
1.9 DCi (74 kW)	2001.10-			Estate	F9Q	R731	Outer Joint	27	32	155	
	2001.10-	MT	L	Estate	F9Q	R9829	Drive Shaft	27	37.1	632	
	2001.10-	MT	R	Estate	F9Q	R9830	Drive Shaft	27	39	967	
1.9 DCi (77 kW)	2001.06-	MT/AT		Estate	F9Q	R731	Outer Joint	27	32	155	
	2001.06-	5MT/6MT	R	Estate	F9Q	R9831	Drive Shaft	27	23	802	
1.9 DCi (79 kW)	2001.03-		L	Estate	F9Q	R9829	Drive Shaft	27	37.1	632	
	2001.03-		R	Estate	F9Q	R9830	Drive Shaft	27	39	967	
	2001.03-	5MT		Estate	F9Q	R733	Outer Joint	27	37	165	
1.9 DCi (81 kW)	2005.01-			Estate	F9Q	R732	Outer Joint	27	35	163	
	2005.01-	MT	L	Estate	F9Q	R9829	Drive Shaft	27	37.1	632	
	2005.01-	MT	R	Estate	F9Q	R9830	Drive Shaft	27	39	967	
1.9 DCi (88 kW)	2001.03-			Estate	F9Q	R732	Outer Joint	27	35	163	
	2001.03-	5MT/6MT	L	Estate	F9Q	R9829	Drive Shaft	27	37.1	632	
	2001.03-	5MT/6MT	R	Estate	F9Q	R9830	Drive Shaft	27	39	967	
1.9 DCi (96 kW)	2005.05-			Estate	F9Q	R731	Outer Joint	27	32	155	
	2005.05-	MT	L	Estate	F9Q	R9829	Drive Shaft	27	37.1	632	
	2005.05-	MT	R	Estate	F9Q	R9830	Drive Shaft	27	39	967	
2.0 16V (99 kW)	2002.08-			Estate	F4R	R731	Outer Joint	27	32	155	
	2002.08-		L	Estate	F4R	R9997	Drive Shaft	27	29.95	723	
	2002.08-		R	Estate	F4R	R9831	Drive Shaft	27	23	802	

Model	Year	Gearbox	Side	Body	Engine	Index	Product	Specification			
								A	B	C	ABS
2.0 16V IDE (103 kW)	2001.04-	MT/AT		Estate	F5R	R731	Outer Joint	27	32	155	
	2001.04-	MT	R	Estate	F5R	R9831	Drive Shaft	27	23	802	
2.0 DCi (110 kW)	2005.08-			Estate	M9R	R733	Outer Joint	27	37	165	
2.2 DCi (102 kW)	2005.05-			Estate	G9T	R732	Outer Joint	27	35	163	
2.2 DCi (110 kW)	2001.10-	MT/AT		Estate	G9T	R733	Outer Joint	27	37	165	
LAGUNA III (BT0/1_)											
2.0 DCi (96 kW)	2007.10-			Hatchback	M9R	R971	Outer Joint	27	36	151	
	2007.10-			Hatchback	M9R	R972	Outer Joint	27	35	151	
2.0 DCi (110 kW)	2007.10-			Hatchback	M9R	R971	Outer Joint	27	36	151	
	2007.10-			Hatchback	M9R	R972	Outer Joint	27	35	151	
2.0 DCi (127 kW)	2008.01-			Hatchback	M9R	R971	Outer Joint	27	36	151	
	2008.01-			Hatchback	M9R	R972	Outer Joint	27	35	151	
2.0 DCi (131 kW)	2008.03-			Hatchback	M9R	R971	Outer Joint	27	36	151	
	2008.03-			Hatchback	M9R	R972	Outer Joint	27	35	151	
LAGUNA III Grandtour (KT0/1_)											
2.0 DCi (96 kW)	2007.10-			Estate	M9R	R971	Outer Joint	27	36	151	
	2007.10-			Estate	M9R	R972	Outer Joint	27	35	151	
2.0 DCi (110 kW)	2007.10-			Estate	M9R	R971	Outer Joint	27	36	151	
	2007.10-			Estate	M9R	R972	Outer Joint	27	35	151	
2.0 DCi (127 kW)	2008.01-			Estate	M9R	R971	Outer Joint	27	36	151	
	2008.01-			Estate	M9R	R972	Outer Joint	27	35	151	
2.0 DCi (131 kW)	2008.03-			Estate	M9R	R971	Outer Joint	27	36	151	
	2008.03-			Estate	M9R	R972	Outer Joint	27	35	151	
LAGUNA III Coupe (DT0/1_)											
2.0 DCi (110 kW)	2008.09-			Coupe	M9R	R971	Outer Joint	27	36	151	
	2008.09-			Coupe	M9R	R972	Outer Joint	27	35	151	
2.0 DCi (127 kW)	2008.09-			Coupe	M9R	R971	Outer Joint	27	36	151	
	2008.09-			Coupe	M9R	R972	Outer Joint	27	35	151	
2.0 DCi (131 kW)	2008.09-			Coupe	M9R	R971	Outer Joint	27	36	151	
	2008.09-			Coupe	M9R	R972	Outer Joint	27	35	151	
LOGAN (KS_)											
1.5 DCi (50 kW)	2007.04-		L	Estate	K9K	R9739	Drive Shaft	23	26	649	
	2007.04-		R	Estate	K9K	R9740	Drive Shaft	23	26	897	
MASTER I (P_) 28-35											
2.0 (58 kW)	1986.10-1998.07		L/R	Platform	J5R	R9003	Drive Shaft	32	27	825	
2.0 (59 kW)	1982.10-1986.09		L/R	Platform		R9003	Drive Shaft	32	27	825	
2.5 D (52 kW)	1980.09-1998.07		L/R	Platform	S8U	R9003	Drive Shaft	32	27	825	
MASTER I (T_) 28-35											
2.0 (58 kW)	1986.10-1998.07		L/R	Box	J5R	R9003	Drive Shaft	32	27	825	
	1986.10-1998.07		L/R	Bus	J5R	R9003	Drive Shaft	32	27	825	
2.0 (59 kW)	1980.08-1986.09		L/R	Bus		R9003	Drive Shaft	32	27	825	
	1980.08-1986.10		L/R	Box		R9003	Drive Shaft	32	27	825	
2.1 D (44 kW)	1980.08-1998.07		L/R	Bus	J8S	R9003	Drive Shaft	32	27	825	
2.4 D (52 kW)	1980.08-1989.08		L/R	Box	S8U	R9003	Drive Shaft	32	27	825	
	1980.08-1989.08		L/R	Bus	S8U	R9003	Drive Shaft	32	27	825	
2.5 D (55 kW)	1989.08-1998.07		L/R	Box	S8U	R9003	Drive Shaft	32	27	825	
	1989.08-1998.07		L/R	Bus	S8U	R9003	Drive Shaft	32	27	825	
2.5 TD (72 kW)	1989.08-1998.07		L/R	Box	S9U	R9003	Drive Shaft	32	27	825	
	1989.08-1998.07		L/R	Bus	S9U	R9003	Drive Shaft	32	27	825	

Model	Year	Gearbox	Side	Body	Engine	Index	Product	Specification			
								A	B	C	ABS
MASTER I (T_) 30											
2.2 (67 kW)	1980.08-1998.07		L/R	Bus	J7T	R9003	Drive Shaft	32	27	825	
MASTER I (T_) 35											
2.5 TD (69 kW)	1989.08-1998.07		L/R	Box	S9U	R9003	Drive Shaft	32	27	825	
	1989.08-1998.07		L/R	Bus	S9U	R9003	Drive Shaft	32	27	825	
MASTER II (ED/HD/UD)											
2.2 DCi 90 (66 kW)	2000.09-	MT		Platform	G9T	F920A	Outer Joint	28	36	167	51T
	2000.09-	MT		Platform	G9T	F920	Outer Joint	28	36	167	
	2000.09-	MT	L	Platform	G9T	R9982A	Drive Shaft	28	37.1	670	51T
	2000.09-	MT	R	Platform	G9T	R9981A	Drive Shaft	28	39	1132	51T
2.5 D (59 kW)	1998.07-2001.01	MT		Platform	S8U	R908A	Outer Joint	28	27	158	51T
	1998.07-2001.01	MT		Platform	S8U	R908	Outer Joint	28	27	158	
	1998.07-2001.01	MT		Platform	S8U	F920A	Outer Joint	28	36	167	51T
	1998.07-2001.01	MT		Platform	S8U	F920	Outer Joint	28	36	167	
	1998.07-2001.01	MT	L	Platform	S8U	R9011A	Drive Shaft	28	37.1	670	51T
	1998.07-2001.01	MT	R	Platform	S8U	R9012A	Drive Shaft	28	39	1118	51T
	1998.07-2001.01	MT	R	Platform	S8U	R9012	Drive Shaft	28	39	1118	
2.5 DCi 120 (84 kW)	2001.10-	MT		Platform	G9U	F920A	Outer Joint	28	36	167	51T
	2001.10-	MT		Platform	G9U	F920	Outer Joint	28	36	167	
	2001.10-	MT	L	Platform	G9U	R9982A	Drive Shaft	28	37.1	670	51T
	2001.10-	MT	R	Platform	G9U	R9012A	Drive Shaft	28	39	1118	51T
	2001.10-	MT	R	Platform	G9U	R9012	Drive Shaft	28	39	1118	
2.5 DCi 120 (88 kW)	2006.08-	MT	L	Platform	G9U	R9987A	Drive Shaft	28	39	700	51T
	2006.08-	MT	R	Platform	G9U	R9986A	Drive Shaft	28	39	1117	51T
2.5 DCi 150 (107 kW)	2006.08-	MT	L	Platform	G9U	R9987A	Drive Shaft	28	39	700	51T
	2006.08-	MT	R	Platform	G9U	R9986A	Drive Shaft	28	39	1117	51T
2.8 DTi (84 kW)	1998.07-2001.10	MT		Platform	S9W	R908A	Outer Joint	28	27	158	51T
	1998.07-2001.10	MT		Platform	S9W	R908	Outer Joint	28	27	158	
	1998.07-2001.10	MT		Platform	S9W	F920A	Outer Joint	28	36	167	51T
	1998.07-2001.10	MT		Platform	S9W	F920	Outer Joint	28	36	167	
	1998.07-2001.10	MT	L	Platform	S9W	R9011A	Drive Shaft	28	37.1	670	51T
	1998.07-2001.10	MT	R	Platform	S9W	R9012A	Drive Shaft	28	39	1118	51T
	1998.07-2001.10	MT	R	Platform	S9W	R9012	Drive Shaft	28	39	1118	
	1998.07-2001.10	MT	R	Platform	S9W	R9097A	Drive Shaft	28	39	1144	51T
3.0 DCi 140 (100 kW)	2003.10-	MT	L	Platform	ZD3	R9094A	Drive Shaft	28	39	687	51T
	2003.10-	MT	R	Platform	ZD3	R9095A	Drive Shaft	28	39	1126	51T
MASTER II (FD)											
1.9 DCi 80 (60 kW)	2001.11-	MT		Box	F9Q	F920A	Outer Joint	28	36	167	51T
	2001.11-	MT		Box	F9Q	F920	Outer Joint	28	36	167	
	2001.11-	MT	L	Box	F9Q	R9982A	Drive Shaft	28	37.1	670	51T
1.9 DTi (59 kW)	2000.09-	MT		Box	F9Q	F920A	Outer Joint	28	36	167	51T
	2000.09-	MT		Box	F9Q	F920	Outer Joint	28	36	167	
	2000.09-	MT	L	Box	F9Q	R9982A	Drive Shaft	28	37.1	670	51T
2.2 DCi 90 (66 kW)	2000.09-	MT		Box	G9T	F920A	Outer Joint	28	36	167	51T
	2000.09-	MT		Box	G9T	F920	Outer Joint	28	36	167	
	2000.09-	MT	L	Box	G9T	R9982A	Drive Shaft	28	37.1	670	51T
	2000.09-	MT	R	Box	G9T	R9981A	Drive Shaft	28	39	1132	51T
2.5 D (59 kW)	1998.07-2001.01	MT		Box	S8U	R908A	Outer Joint	28	27	158	51T
	1998.07-2001.01	MT		Box	S8U	R908	Outer Joint	28	27	158	

Model	Year	Gearbox	Side	Body	Engine	Index	Product	Specification			
								A	B	C	ABS
	1998.07-2001.01	MT		Box	S8U	F920A	Outer Joint	28	36	167	51T
	1998.07-2001.01	MT		Box	S8U	F920	Outer Joint	28	36	167	
	1998.07-2001.01	MT	L	Box	S8U	R9011A	Drive Shaft	28	37.1	670	51T
	1998.07-2001.01	MT	R	Box	S8U	R9012A	Drive Shaft	28	39	1118	51T
	1998.07-2001.01	MT	R	Box	S8U	R9012	Drive Shaft	28	39	1118	
2.5 DCi 120 (84 kW)	2001.10-	MT		Box	G9U	F920A	Outer Joint	28	36	167	51T
	2001.10-	MT		Box	G9U	F920	Outer Joint	28	36	167	
	2001.10-	MT	L	Box	G9U	R9982A	Drive Shaft	28	37.1	670	51T
	2001.10-	MT	R	Box	G9U	R9012A	Drive Shaft	28	39	1118	51T
	2001.10-	MT	R	Box	G9U	R9012	Drive Shaft	28	39	1118	
2.5 DCi 120 (88 kW)	2006.08-	MT	L	Box	G9U	R9987A	Drive Shaft	28	39	700	51T
	2006.08-	MT	R	Box	G9U	R9986A	Drive Shaft	28	39	1117	51T
2.5 DCi 150 (107 kW)	2006.08-	MT	L	Box	G9U	R9987A	Drive Shaft	28	39	700	51T
	2006.08-	MT	R	Box	G9U	R9986A	Drive Shaft	28	39	1117	51T
2.8 DTi (84 kW)	1998.07-2001.10	MT		Box	S9W	R908A	Outer Joint	28	27	158	51T
	1998.07-2001.10	MT		Box	S9W	R908	Outer Joint	28	27	158	
	1998.07-2001.10	MT		Box	S9W	F920A	Outer Joint	28	36	167	51T
	1998.07-2001.10	MT		Box	S9W	F920	Outer Joint	28	36	167	
	1998.07-2001.10	MT	L	Box	S9W	R9011A	Drive Shaft	28	37.1	670	51T
	1998.07-2001.10	MT	R	Box	S9W	R9012A	Drive Shaft	28	39	1118	51T
	1998.07-2001.10	MT	R	Box	S9W	R9012	Drive Shaft	28	39	1118	
3.0 DCi 140 (100 kW)	2003.10-	MT	L	Box	ZD3	R9094A	Drive Shaft	28	39	687	51T
	2003.10-	MT	R	Box	ZD3	R9095A	Drive Shaft	28	39	1126	51T
MASTER II (JD)											
1.9 DCi 80 (60 kW)	2001.11-	MT		Bus	F9Q	F920A	Outer Joint	28	36	167	51T
	2001.11-	MT		Bus	F9Q	F920	Outer Joint	28	36	167	
	2001.11-	MT	L	Bus	F9Q	R9982A	Drive Shaft	28	37.1	670	51T
1.9 DTi (59 kW)	2000.09-	MT		Bus	F9Q	F920A	Outer Joint	28	36	167	51T
	2000.09-	MT		Bus	F9Q	F920	Outer Joint	28	36	167	
	2000.09-	MT	L	Bus	F9Q	R9982A	Drive Shaft	28	37.1	670	51T
2.2 DCi 90 (66 kW)	2000.09-	MT		Bus	G9T	F920A	Outer Joint	28	36	167	51T
	2000.09-	MT		Bus	G9T	F920	Outer Joint	28	36	167	
	2000.09-	MT	L	Bus	G9T	R9982A	Drive Shaft	28	37.1	670	51T
	2000.09-	MT	R	Bus	G9T	R9981A	Drive Shaft	28	39	1132	51T
2.5 D (59 kW)	1998.07-2001.01			Bus	S8U	R908A	Outer Joint	28	27	158	51T
	1998.07-2001.01			Bus	S8U	R908	Outer Joint	28	27	158	
	1998.07-2001.01	MT		Bus	S8U	F920A	Outer Joint	28	36	167	51T
	1998.07-2001.01	MT		Bus	S8U	F920	Outer Joint	28	36	167	
	1998.07-2001.01	MT	L	Bus	S8U	R9011A	Drive Shaft	28	37.1	670	51T
	1998.07-2001.01	MT	R	Bus	S8U	R9012A	Drive Shaft	28	39	1118	51T
	1998.07-2001.01	MT	R	Bus	S8U	R9012	Drive Shaft	28	39	1118	
2.5 DCi 100 (73 kW)	2003.10-	MT	L	Bus	G9U	R9096A	Drive Shaft	28	37.1	663	51T
	2003.10-	MT	R	Bus	G9U	R9097A	Drive Shaft	28	39	1144	51T
2.5 DCi 120 (84 kW)	2001.10-	MT		Bus	G9U	F920A	Outer Joint	28	36	167	51T
	2001.10-	MT		Bus	G9U	F920	Outer Joint	28	36	167	
	2001.10-	MT	L	Bus	G9U	R9982A	Drive Shaft	28	37.1	670	51T
	2001.10-	MT	R	Bus	G9U	R9012A	Drive Shaft	28	39	1118	51T
	2001.10-	MT	R	Bus	G9U	R9012	Drive Shaft	28	39	1118	
2.5 DCi 120 (88 kW)	2006.08-	MT	R	Bus	G9U	R9986A	Drive Shaft	28	39	1117	51T

Model	Year	Gearbox	Side	Body	Engine	Index	Product	Specification			
								A	B	C	ABS
	2006.08-	MT	L	Bus	G9U	R9987A	Drive Shaft	28	39	700	51T
2.5 DCi 150 (107 kW)	2006.08-	MT	R	Bus	G9U	R9986A	Drive Shaft	28	39	1117	51T
	2006.08-	MT	L	Bus	G9U	R9987A	Drive Shaft	28	39	700	51T
2.8 DTi (84 kW)	1998.07-2001.10	MT		Bus	S9W	R908A	Outer Joint	28	27	158	51T
	1998.07-2001.10	MT		Bus	S9W	R908	Outer Joint	28	27	158	
	1998.07-2001.10	MT		Bus	S9W	F920A	Outer Joint	28	36	167	51T
	1998.07-2001.10	MT		Bus	S9W	F920	Outer Joint	28	36	167	
	1998.07-2001.10	MT	L	Bus	S9W	R9011A	Drive Shaft	28	37.1	670	51T
	1998.07-2001.10	MT	R	Bus	S9W	R9012A	Drive Shaft	28	39	1118	51T
	1998.07-2001.10	MT	R	Bus	S9W	R9012	Drive Shaft	28	39	1118	
3.0 DCi 140 (100 kW)	2003.10-	MT	L	Bus	ZD3	R9094A	Drive Shaft	28	39	687	51T
	2003.10-	MT	R	Bus	ZD3	R9095A	Drive Shaft	28	39	1126	51T
MASTER III (JV)											
2.3 DCi 100 (74 kW)	2011.02-	MT	L	Bus	M9T	R9972	Drive Shaft	31	39	750	
	2011.02-		L	Bus	M9T	R922	Inner Joint	39	27		
	2011.02-	MT	R	Bus	M9T	R9973	Drive Shaft	31	39	1075	
	2011.02-	MT		Bus	M9T	R921	Outer Joint	31	27		
2.3 DCi 125 (92 kW)	2011.02-	MT	L	Bus	M9T	R9972	Drive Shaft	31	39	750	
	2011.02-		L	Bus	M9T	R922	Inner Joint	39	27		
	2011.02-	MT	R	Bus	M9T	R9973	Drive Shaft	31	39	1075	
	2011.02-	MT		Bus	M9T	R921	Outer Joint	31	27		
2.3 DCi 150 (107 kW)	2011.02-	MT	L	Bus	M9T	R9972	Drive Shaft	31	39	750	
	2011.02-		L	Bus	M9T	R922	Inner Joint	39	27		
	2011.02-	MT	R	Bus	M9T	R9973	Drive Shaft	31	39	1075	
	2011.02-	MT		Bus	M9T	R921	Outer Joint	31	27		
MASTER III (FV)											
2.3 DCi 100 (74 kW)	2010.02-	MT	L	Box	M9T	R9972	Drive Shaft	31	39	750	
	2010.02-		L	Box	M9T	R922	Inner Joint	39	27		
	2010.02-	MT	R	Box	M9T	R9973	Drive Shaft	31	39	1075	
	2010.02-	MT		Box	M9T	R921	Outer Joint	31	27		
2.3 DCi 125 (92 kW)	2010.02-	MT	L	Box	M9T	R9972	Drive Shaft	31	39	750	
	2010.02-		L	Box	M9T	R922	Inner Joint	39	27		
	2010.02-	MT	R	Box	M9T	R9973	Drive Shaft	31	39	1075	
	2010.02-	MT		Box	M9T	R921	Outer Joint	31	27		
2.3 DCi 150 (107 kW)	2010.02-	MT	L	Box	M9T	R9972	Drive Shaft	31	39	750	
	2010.02-		L	Box	M9T	R922	Inner Joint	39	27		
	2010.02-	MT	R	Box	M9T	R9973	Drive Shaft	31	39	1075	
	2010.02-	MT		Box	M9T	R921	Outer Joint	31	27		
MASTER III (EV,HV,UV)											
2.3 DCi 100 (74 kW)	2010.02-	MT	L	Platform	M9T	R9972	Drive Shaft	31	39	750	
	2010.02-		L	Platform	M9T	R922	Inner Joint	39	27		
	2010.02-	MT	R	Platform	M9T	R9973	Drive Shaft	31	39	1075	
	2010.02-	MT		Platform	M9T	R921	Outer Joint	31	27		
2.3 DCi 125 (92 kW)	2010.02-	MT	L	Platform	M9T	R9972	Drive Shaft	31	39	750	
	2010.02-		L	Platform	M9T	R922	Inner Joint	39	27		
	2010.02-	MT	R	Platform	M9T	R9973	Drive Shaft	31	39	1075	
	2010.02-	MT		Platform	M9T	R921	Outer Joint	31	27		
2.3 DCi 150 (107 kW)	2010.02-	MT	L	Platform	M9T	R9972	Drive Shaft	31	39	750	
	2010.02-		L	Platform	M9T	R922	Inner Joint	39	27		

Model	Year	Gearbox	Side	Body	Engine	Index	Product	Specification			
								A	B	C	ABS
	2010.02-	MT	R	Platform	M9T	R9973	Drive Shaft	31	39	1075	
	2010.02-	MT		Platform	M9T	R921	Outer Joint	31	27		
MEGANE I											
-	-					R919A	Outer Joint	21	30	140	44T
1.9 TDi	1998.02-1999.04	MT	R			R9985A	Drive Shaft	23	23	744	44T
2.0 16V	1996.04-1999.04	MT	R			R9985A	Drive Shaft	23	23	744	44T
MEGANE I (BA0/1_)											
1.4 16V (70 kW)	1999.03-			Hatchback	K4J	R917A	Outer Joint	21	22	140	44T
	1999.03-	MT	L	Hatchback	K4J	R9009	Drive Shaft	21	29.95	645.7	
	1999.03-	MT	L	Hatchback	K4J	R9009A	Drive Shaft	21	29.95	645.7	44T
	1999.03-	MT	L	Hatchback	K4J	R9109	Drive Shaft	21	29.95	650	
	1999.03-	MT	R	Hatchback	K4J	R9956A	Drive Shaft	21	23	752	44T
	1999.03-	MT	R	Hatchback	K4J	R9056	Drive Shaft	21	23	741	
1.4 E (55 kW)	1996.01-			Hatchback	E7J	R917A	Outer Joint	21	22	140	44T
	1996.01-	MT	L	Hatchback	E7J	R9009	Drive Shaft	21	29.95	645.7	
	1996.01-	MT	L	Hatchback	E7J	R9009A	Drive Shaft	21	29.95	645.7	44T
	1996.01-	MT	L	Hatchback	E7J	R9109	Drive Shaft	21	29.95	650	
	1996.01-	MT	R	Hatchback	E7J	R9956A	Drive Shaft	21	23	752	44T
	1996.01-	MT	R	Hatchback	E7J	R9056	Drive Shaft	21	23	741	
	1996.01-1998.12	MT	R	Hatchback	SPRING PIN	R9915A	Drive Shaft	21	23	750	44T
	1996.01-1998.12	MT	R	Hatchback	SPRING PIN	R9010A	Drive Shaft	21	23	741.5	44T
	1996.01-1998.12	MT	R	Hatchback	SPRING PIN	R9010	Drive Shaft	21	23	741.5	
1.4 Eco (52 kW)	1996.01-1999.03			Hatchback	E7J	R917A	Outer Joint	21	22	140	44T
	1996.01-1999.03	MT	L	Hatchback	E7J	R9009	Drive Shaft	21	29.95	645.7	
	1996.01-1999.03	MT	L	Hatchback	E7J	R9009A	Drive Shaft	21	29.95	645.7	44T
	1996.01-1999.03	MT	L	Hatchback	E7J	R9109	Drive Shaft	21	23.95	650	
	1996.01-1999.03	MT	R	Hatchback	E7J	R9956A	Drive Shaft	21	23	752	44T
	1996.01-1999.03	MT	R	Hatchback	E7J	R9056	Drive Shaft	21	23	741	
	1996.01-1998.12	MT	R	Hatchback	SPRING PIN	R9915A	Drive Shaft	21	23	750	44T
	1996.01-1998.12	MT	R	Hatchback	SPRING PIN	R9010A	Drive Shaft	21	23	741.5	44T
	1996.01-1998.12	MT	R	Hatchback	SPRING PIN	R9010	Drive Shaft	21	23	741.5	
1.6 16V (79 kW)	1999.03-	MT	L	Hatchback	K4M	R9009	Drive Shaft	21	29.95	645.7	
	1999.03-	MT	L	Hatchback	K4M	R9009A	Drive Shaft	21	29.95	645.7	44T
	1999.03-	MT	L	Hatchback	K4M	R9109	Drive Shaft	21	29.95	650	
	1999.03-	MT	R	Hatchback	K4M	R9956A	Drive Shaft	21	23	752	44T
	1999.03-	MT	R	Hatchback	K4M	R9056	Drive Shaft	21	23	741	
1.6 E (66 kW)	1996.01-1999.03			Hatchback	K7M	R917A	Outer Joint	21	22	140	44T
	1996.01-1999.03	MT	L	Hatchback	K7M	R9009	Drive Shaft	21	29.95	645.7	
	1996.01-1999.03	MT	L	Hatchback	K7M	R9009A	Drive Shaft	21	29.95	645.7	44T
	1996.01-1999.03	MT	L	Hatchback	K7M	R9109	Drive Shaft	21	29.95	650	
	1996.01-1999.03	MT	R	Hatchback	K7M	R9956A	Drive Shaft	21	23	752	44T
	1996.01-1999.03	MT	R	Hatchback	K7M	R9056	Drive Shaft	21	23	741	
	1996.01-1998.12	MT	R	Hatchback	SPRING PIN	R9915A	Drive Shaft	21	23	750	44T
	1996.01-1998.12	MT	R	Hatchback	SPRING PIN	R9010A	Drive Shaft	21	23	741.5	44T
	1996.01-1998.12	MT	R	Hatchback	SPRING PIN	R9010	Drive Shaft	21	23	741.5	
1.6 i (55 kW)	1996.01-1999.03			Hatchback	K7M	R917A	Outer Joint	21	22	140	44T
	1996.01-1999.03	MT	L	Hatchback	K7M	R9009	Drive Shaft	21	29.95	645.7	
	1996.01-1999.03	MT	L	Hatchback	K7M	R9009A	Drive Shaft	21	29.95	645.7	44T
	1996.01-1999.03	MT	L	Hatchback	K7M	R9109	Drive Shaft	21	29.95	650	

Model	Year	Gearbox	Side	Body	Engine	Index	Product	Specification			
								A	B	C	ABS
	1996.01-1999.03	MT	R	Hatchback	K7M	R9956A	Drive Shaft	21	23	752	44T
	1996.01-1999.03	MT	R	Hatchback	K7M	R9056	Drive Shaft	21	23	741	
	1996.01-1998.12	MT	R	Hatchback	SPRING PIN	R9915A	Drive Shaft	21	23	750	44T
	1996.01-1998.12	MT	R	Hatchback	SPRING PIN	R9010A	Drive Shaft	21	23	741.5	44T
	1996.01-1998.12	MT	R	Hatchback	SPRING PIN	R9010	Drive Shaft	21	23	741.5	
1.8 16V (85 kW)	2001.01-		L	Hatchback	F4P	R9983A	Drive Shaft	23	29.95	656.5	44T
	2001.01-		R	Hatchback	F4P	R9888A	Drive Shaft	23	23	750	44T
	2001.01-			Hatchback	F4P	R915A	Outer Joint	23	35	158	44T
1.9 D Eco (47 kW)	1996.01-			Hatchback	F8Q	R917A	Outer Joint	21	22	140	44T
	1996.01-	MT	L	Hatchback	F8Q	R9009	Drive Shaft	21	29.95	645.7	
	1996.01-	MT	L	Hatchback	F8Q	R9009A	Drive Shaft	21	29.95	645.7	44T
	1996.01-	MT	L	Hatchback	F8Q	R9109	Drive Shaft	21	29.95	650	
	1996.01-	MT	R	Hatchback	F8Q	R9956A	Drive Shaft	21	23	752	44T
	1996.01-	MT	R	Hatchback	F8Q	R9056	Drive Shaft	21	23	741	
	1996.01-	MT	R	Hatchback	SPRING PIN	R9915A	Drive Shaft	21	23	750	44T
	1996.01-	MT	R	Hatchback	SPRING PIN	R9010A	Drive Shaft	21	23	741.5	44T
	1996.01-	MT	R	Hatchback	SPRING PIN	R9010	Drive Shaft	21	23	741.5	
1.9 DCi (75 kW)	2001.02-			Hatchback	F9Q	R916A	Outer Joint	23	30	145	44T
1.9 DT (66 kW)	1996.01-			Hatchback	F8Q	R917A	Outer Joint	21	22	140	44T
	1996.01-	MT	L	Hatchback	F8Q	R9932A	Drive Shaft	23	29.95	654	44T
	1996.01-	MT	R	Hatchback	F8Q	R9985A	Drive Shaft	23	23	755	44T
1.9 DTi (59 kW)	2001.02-			Hatchback	F9Q	R916A	Outer Joint	23	30	145	44T
1.9 DTi (72 kW)	1997.03-2001.02			Hatchback	F9Q	R917A	Outer Joint	21	22	140	44T
	1997.03-2001.02	MT	L	Hatchback	F9Q	R9932A	Drive Shaft	23	29.95	654	44T
	1997.03-2001.02	MT	R	Hatchback	F9Q	R9985A	Drive Shaft	23	23	755	44T
1.9 TDi (69 kW)	1996.09-	MT	L	Hatchback	F8Q	R9932A	Drive Shaft	23	29.95	654	44T
	1996.09-	MT	R	Hatchback	F8Q	R9985A	Drive Shaft	23	23	755	44T
2.0 i (80 kW)	1999.03-			Hatchback	F3R	R917A	Outer Joint	21	22	140	44T
	1999.03-	MT	L	Hatchback	F3R	R9009	Drive Shaft	21	29.95	645.7	
	1999.03-	MT	L	Hatchback	F3R	R9009A	Drive Shaft	21	29.95	645.7	44T
	1999.03-	MT	L	Hatchback	F3R	R9109	Drive Shaft	21	29.95	650	
	1999.03-	MT	R	Hatchback	F3R	R9956A	Drive Shaft	21	23	752	44T
	1999.03-	MT	R	Hatchback	F3R	R9056	Drive Shaft	21	23	741	
2.0 i (84 kW)	1996.01-			Hatchback	F3R	R917A	Outer Joint	21	22	140	44T
	1996.01-	MT	L	Hatchback	F3R	R9009	Drive Shaft	21	29.95	645.7	
	1996.01-	MT	L	Hatchback	F3R	R9009A	Drive Shaft	21	29.95	645.7	44T
	1996.01-	MT	L	Hatchback	F3R	R9109	Drive Shaft	21	29.95	650	
	1996.01-	MT	R	Hatchback	F3R	R9956A	Drive Shaft	21	23	752	44T
	1996.01-	MT	R	Hatchback	F3R	R9056	Drive Shaft	21	23	741	
	1996.01-	MT	R	Hatchback	SPRING PIN	R9915A	Drive Shaft	21	23	750	44T
	1996.01-	MT	R	Hatchback	SPRING PIN	R9010A	Drive Shaft	21	23	741.5	44T
	1996.01-	MT	R	Hatchback	SPRING PIN	R9010	Drive Shaft	21	23	741.5	
2.0 16V (108 kW)	1996.07-			Hatchback	F7R	R917A	Outer Joint	21	22	140	44T
	1996.07-	MT	L	Hatchback	F7R	R9932A	Drive Shaft	23	29.95	654	44T
	1996.07-	MT	R	Hatchback	F7R	R9985A	Drive Shaft	23	23	755	44T
MEGANE I CABRIO (EA01_)											
1.4 16V (70 kW)	1999.03-			Convertible	K4J	R917A	Outer Joint	21	22	140	44T
	1999.03-	MT	L	Convertible	K4J	R9009	Drive Shaft	21	29.95	645.7	
	1999.03-	MT	L	Convertible	K4J	R9009A	Drive Shaft	21	29.95	645.7	44T

Model	Year	Gearbox	Side	Body	Engine	Index	Product	Specification			
								A	B	C	ABS
	1999.03-	MT	L	Convertible	K4J	R9109	Drive Shaft	21	29.95	650	
	1999.03-	MT	R	Convertible	K4J	R9956A	Drive Shaft	21	23	752	44T
	1999.03-	MT	R	Convertible	K4J	R9056	Drive Shaft	21	23	741	
1.6 16V (79 kW)	1999.03-	MT	L	Convertible	K4M	R9009	Drive Shaft	21	29.95	645.7	
	1999.03-	MT	L	Convertible	K4M	R9009A	Drive Shaft	21	29.95	645.7	44T
	1999.03-	MT	L	Convertible	K4M	R9109	Drive Shaft	21	29.95	650	
	1999.03-	MT	R	Convertible	K4M	R9956A	Drive Shaft	21	23	752	44T
	1999.03-	MT	R	Convertible	K4M	R9056	Drive Shaft	21	23	741	
1.6 E (66 kW)	1996.10-1999.03			Convertible	K7M	R917A	Outer Joint	21	22	140	44T
	1996.10-1999.03	MT	L	Convertible	K7M	R9009	Drive Shaft	21	29.95	645.7	
	1996.10-1999.03	MT	L	Convertible	K7M	R9009A	Drive Shaft	21	29.95	645.7	44T
	1996.10-1999.03	MT	L	Convertible	K7M	R9109	Drive Shaft	21	29.95	650	
	1996.10-1999.03	MT	R	Convertible	K7M	R9956A	Drive Shaft	21	23	752	44T
	1996.10-1999.03	MT	R	Convertible	K7M	R9056	Drive Shaft	21	23	741	
2.0 (84 kW)	1997.04-			Convertible	F3R	R917A	Outer Joint	21	22	140	44T
	1997.04-	MT	L	Convertible	F3R	R9009	Drive Shaft	21	29.95	645.7	
	1997.04-	MT	L	Convertible	F3R	R9009A	Drive Shaft	21	29.95	645.7	44T
	1997.04-	MT	L	Convertible	F3R	R9109	Drive Shaft	21	29.95	650	
	1997.04-	MT	R	Convertible	F3R	R9956A	Drive Shaft	21	23	752	44T
	1997.04-	MT	R	Convertible	F3R	R9056	Drive Shaft	21	23	741	
2.0 i (80 kW)	1999.03-			Convertible	F3R	R917A	Outer Joint	21	22	140	44T
	1999.03-	MT	L	Convertible	F3R	R9009	Drive Shaft	21	29.95	645.7	
	1999.03-	MT	L	Convertible	F3R	R9009A	Drive Shaft	21	29.95	645.7	44T
	1999.03-	MT	L	Convertible	F3R	R9109	Drive Shaft	21	29.95	650	
	1999.03-	MT	R	Convertible	F3R	R9956A	Drive Shaft	21	23	752	44T
	1999.03-	MT	R	Convertible	F3R	R9056	Drive Shaft	21	23	741	
2.0 16V (108 kW)	1996.10-1999.11	MT	L	Convertible	F7R	R9932A	Drive Shaft	23	29.95	654	44T
	1996.10-1999.11	MT	R	Convertible	F7R	R9985A	Drive Shaft	23	23	755	44T
	1996.10-1999.11			Convertible	F7R	R915A	Outer Joint	23	35	158	44T
2.0 16V IDE (103 kW)	1999.11-2003.08			Convertible	F5R	R915A	Outer Joint	23	35	158	44T
	1999.11-2003.08		R	Convertible	F5R	R9123A	Drive Shaft	23	23	744	44T
2.0 16V (102 kW)	2002.01-2003.08			Convertible	F4R	R915A	Outer Joint	23	35	158	44T
MEGANE I CLASSIC (LA0/1_)											
1.4 (55 kW)	1996.09-			Saloon	E7J	R917A	Outer Joint	21	22	140	44T
	1996.09-	MT	L	Saloon	E7J	R9009	Drive Shaft	21	29.95	645.7	
	1996.09-	MT	L	Saloon	E7J	R9009A	Drive Shaft	21	29.95	645.7	44T
	1996.09-	MT	L	Saloon	E7J	R9109	Drive Shaft	21	29.95	650	
	1996.09-	MT	R	Saloon	E7J	R9956A	Drive Shaft	21	23	752	44T
	1996.09-	MT	R	Saloon	E7J	R9056	Drive Shaft	21	23	741	
1.4 16V (70 kW)	1999.03-			Saloon	K4J	R917A	Outer Joint	21	22	140	44T
	1999.03-	MT	L	Saloon	K4J	R9009	Drive Shaft	21	29.95	645.7	
	1999.03-	MT	L	Saloon	K4J	R9009A	Drive Shaft	21	29.95	645.7	44T
	1999.03-	MT	L	Saloon	K4J	R9109	Drive Shaft	21	29.95	650	
	1999.03-	MT	R	Saloon	K4J	R9956A	Drive Shaft	21	23	752	44T
	1999.03-	MT	R	Saloon	K4J	R9056	Drive Shaft	21	23	741	
1.6 16V (79 kW)	1999.03-	MT	L	Saloon	K4M	R9009	Drive Shaft	21	29.95	645.7	
		MT	L	Saloon	K4M	R9009A	Drive Shaft	21	29.95	645.7	44T
	1999.03-	MT	L	Saloon	K4M	R9109	Drive Shaft	21	29.95	650	
	1999.03-	MT	R	Saloon	K4M	R9956A	Drive Shaft	21	23	752	44T

Model	Year	Gearbox	Side	Body	Engine	Index	Product	Specification			
								A	B	C	ABS
	1999.03-	MT	R	Saloon	K4M	R9056	Drive Shaft	21	23	741	
1.6 E (66 kW)	1996.09-1999.03			Saloon	K7M	R917A	Outer Joint	21	22	140	44T
	1996.09-1999.03	MT	L	Saloon	K7M	R9009	Drive Shaft	21	29.95	645.7	
	1996.09-1999.03	MT	L	Saloon	K7M	R9009A	Drive Shaft	21	29.95	645.7	44T
	1996.09-1999.03	MT	L	Saloon	K7M	R9109	Drive Shaft	21	29.95	650	
	1996.09-1999.03	MT	R	Saloon	K7M	R9956A	Drive Shaft	21	23	752	44T
	1996.09-1999.03	MT	R	Saloon	K7M	R9056	Drive Shaft	21	23	741	
1.6 i (55 kW)	1996.09-1999.03			Saloon	K7M	R917A	Outer Joint	21	22	140	44T
	1996.09-1999.03	MT	L	Saloon	K7M	R9009	Drive Shaft	21	29.95	645.7	
	1996.09-1999.03	MT	L	Saloon	K7M	R9009A	Drive Shaft	21	29.95	645.7	44T
	1996.09-1999.03	MT	L	Saloon	K7M	R9109	Drive Shaft	21	29.95	650	
	1996.09-1999.03	MT	R	Saloon	K7M	R9956A	Drive Shaft	21	23	752	44T
	1996.09-1999.03	MT	R	Saloon	K7M	R9056	Drive Shaft	21	23	741	
1.8 16V (85 kW)	2001.01-2003.08		L	Saloon	F4P	R9983A	Drive Shaft	23	29.95	656.5	44T
	2001.01-2003.08		R	Saloon	F4P	R9888A	Drive Shaft	23	23	750	44T
	2001.01-2003.08			Saloon	F4P	R915A	Outer Joint	23	35	158	44T
1.9 D (47 kW)	1996.09-			Saloon	F8Q	R917A	Outer Joint	21	22	140	44T
	1996.09-	MT	L	Saloon	F8Q	R9009	Drive Shaft	21	29.95	645.7	
	1996.09-	MT	L	Saloon	F8Q	R9009A	Drive Shaft	21	29.95	645.7	44T
	1996.09-	MT	L	Saloon	F8Q	R9109	Drive Shaft	21	29.95	650	
	1996.09-	MT	R	Saloon	F8Q	R9956A	Drive Shaft	21	23	752	44T
	1996.09-	MT	R	Saloon	F8Q	R9056	Drive Shaft	21	23	741	
1.9 DCi (75 kW)	2001.02-			Saloon	F9Q	R916A	Outer Joint	23	30	145	44T
1.9 DT (66 kW)	1996.09-			Saloon	F8Q	R917A	Outer Joint	21	22	140	44T
	1996.09-	MT	L	Saloon	F8Q	R9932A	Drive Shaft	23	29.95	654	44T
	1996.09-	MT	R	Saloon	F8Q	R9985A	Drive Shaft	23	23	755	44T
1.9 DTi (59 kW)	2001.02-			Saloon	F9Q	R916A	Outer Joint	23	30	145	44T
1.9 DTi (72 kW)	1997.03-2001.02			Saloon	F9Q	R917A	Outer Joint	21	22	140	44T
	1997.03-2001.02	MT	L	Saloon	F9Q	R9932A	Drive Shaft	23	29.95	654	44T
	1997.03-2001.02	MT	R	Saloon	F9Q	R9985A	Drive Shaft	23	23	755	44T
1.9 TDi (69 kW)	1996.09-			Saloon	F8Q	R917A	Outer Joint	21	22	140	44T
	1996.09-	MT	L	Saloon	F8Q	R9932A	Drive Shaft	23	29.95	654	44T
	1996.09-	MT	R	Saloon	F8Q	R9985A	Drive Shaft	23	23	755	44T
2.0 i (80 kW)	1999.03-			Saloon	F3R	R917A	Outer Joint	21	22	140	44T
	1999.03-	MT	L	Saloon	F3R	R9009	Drive Shaft	21	29.95	645.7	
	1999.03-	MT	L	Saloon	F3R	R9009A	Drive Shaft	21	29.95	645.7	44T
	1999.03-	MT	L	Saloon	F3R	R9109	Drive Shaft	21	29.95	650	
	1999.03-	MT	R	Saloon	F3R	R9956A	Drive Shaft	21	23	752	44T
	1999.03-	MT	R	Saloon	F3R	R9056	Drive Shaft	21	23	741	
2.0 i (84 kW)	1996.09-			Saloon	F3R	R917A	Outer Joint	21	22	140	44T
	1996.09-	MT	L	Saloon	F3R	R9009	Drive Shaft	21	29.95	645.7	
	1996.09-	MT	L	Saloon	F3R	R9009A	Drive Shaft	21	29.95	645.7	44T
	1996.09-	MT	L	Saloon	F3R	R9109	Drive Shaft	21	29.95	650	
	1996.09-	MT	R	Saloon	F3R	R9956A	Drive Shaft	21	23	752	44T
	1996.09-	MT	R	Saloon	F3R	R9056	Drive Shaft	21	23	741	
MEGANE I COACH (DA0/1)											
1.4 16V (70 kW)	1999.03-2003.08			Coupe	K4J	R917A	Outer Joint	21	22	140	44T
	1999.03-2003.08	MT	L	Coupe	K4J	R9009	Drive Shaft	21	29.95	645.7	
	1999.03-2003.08	MT	L	Coupe	K4J	R9009A	Drive Shaft	21	29.95	645.7	44T

Model	Year	Gearbox	Side	Body	Engine	Index	Product	Specification			
								A	B	C	ABS
	1999.03-2003.08	MT	L	Coupe	K4J	R9109	Drive Shaft	21	29.95	650	
	1999.03-2003.08	MT	R	Coupe	K4J	R9956A	Drive Shaft	21	23	752	44T
	1999.03-2003.08	MT	R	Coupe	K4J	R9056	Drive Shaft	21	23	741	
1.6 16V (79 kW)	1999.03-2003.08	MT	L	Coupe	K4M	R9009	Drive Shaft	21	29.95	645.7	
	1999.03-2003.08	MT	L	Coupe	K4M	R9009A	Drive Shaft	21	29.95	645.7	44T
	1999.03-2003.08	MT	L	Coupe	K4M	R9109	Drive Shaft	21	29.95	650	
	1999.03-2003.08	MT	R	Coupe	K4M	R9956A	Drive Shaft	21	23	752	44T
	1999.03-2003.08	MT	R	Coupe	K4M	R9056	Drive Shaft	21	23	741	
1.6 E (66 kW)	1996.03-1999.03			Coupe	K7M	R917A	Outer Joint	21	22	140	44T
	1996.03-1999.03	MT	L	Coupe	K7M	R9009	Drive Shaft	21	29.95	645.7	
	1996.03-1999.03	MT	L	Coupe	K7M	R9009A	Drive Shaft	21	29.95	645.7	44T
	1996.03-1999.03	MT	L	Coupe	K7M	R9109	Drive Shaft	21	29.95	650	
	1996.03-1999.03	MT	R	Coupe	K7M	R9956A	Drive Shaft	21	23	752	44T
	1996.03-1999.03	MT	R	Coupe	K7M	R9056	Drive Shaft	21	23	741	
1.9 DCi (75 kW)	2001.02-2003.08			Coupe	F9Q	R916A	Outer Joint	23	30	145	44T
1.9 DTi (72 kW)	1997.03-2001.02			Coupe	F9Q	R917A	Outer Joint	21	22	140	44T
	1997.03-2001.02	MT	L	Coupe	F9Q	R9932A	Drive Shaft	23	29.95	654	44T
	1997.03-2001.02	MT	R	Coupe	F9Q	R9985A	Drive Shaft	23	23	755	44T
2.0 i (80 kW)	1999.03-2003.08			Coupe	F3R	R917A	Outer Joint	21	22	140	44T
	1999.03-2003.08	MT	L	Coupe	F3R	R9009	Drive Shaft	21	29.95	645.7	
	1999.03-2003.08	MT	L	Coupe	F3R	R9009A	Drive Shaft	21	29.95	645.7	44T
	1999.03-2003.08	MT	L	Coupe	F3R	R9109	Drive Shaft	21	29.95	650	
	1999.03-2003.08	MT	R	Coupe	F3R	R9956A	Drive Shaft	21	23	752	44T
	1999.03-2003.08	MT	R	Coupe	F3R	R9056	Drive Shaft	21	23	741	
2.0 i (84 kW)	1996.03-2003.08			Coupe	F3R	R917A	Outer Joint	21	22	140	44T
	1996.03-2003.08	MT	L	Coupe	F3R	R9009	Drive Shaft	21	29.95	645.7	
	1996.03-2003.08	MT	L	Coupe	F3R	R9009A	Drive Shaft	21	29.95	645.7	44T
	1996.03-2003.08	MT	L	Coupe	F3R	R9109	Drive Shaft	21	29.95	650	
	1996.03-2003.08	MT	R	Coupe	F3R	R9956A	Drive Shaft	21	23	752	44T
	1996.03-2003.08	MT	R	Coupe	F3R	R9056	Drive Shaft	21	23	741	
2.0 16V (108 kW)	1996.03-1999.11			Coupe	F7R	R917A	Outer Joint	21	22	140	44T
	1996.03-1999.11	MT	L	Coupe	F7R	R9932A	Drive Shaft	23	29.95	654	44T
	1996.03-1999.11	MT	R	Coupe	F7R	R9985A	Drive Shaft	23	23	755	44T
2.0 16V IDE (103 kW)	1999.11-2003.08			Coupe	F5R	R915A	Outer Joint	23	35	158	44T
	1999.11-2003.08		R	Coupe	F5R	R9123A	Drive Shaft	23	23	744	44T
2.0 16V (102 kW)	2002.01-2003.08			Coupe	F5R	R915A	Outer Joint	23	35	158	44T
	2002.01-2003.08		R	Coupe	F5R	R9123A	Drive Shaft	23	23	744	44T
MEGANE I GRANDTOUR (KA0/1_)											
1.4 16V (70 kW)	1999.03-			Estate	K4J	R917A	Outer Joint	21	22	140	44T
	1999.03-		R	Estate	K4J	R9056	Drive Shaft	21	23	741	
1.4 E (55 kW)	1999.03-			Estate	E7J	R917A	Outer Joint	21	22	140	44T
1.6 E (66 kW)	1999.03-			Estate	K7M	R917A	Outer Joint	21	22	140	44T
1.8 16V (85 kW)	2001.01-2003.08		L	Estate	F4P	R9983A	Drive Shaft	23	29.95	656.5	44T
	2001.01-2003.08		R	Estate	F4P	R9888A	Drive Shaft	23	23	750	44T
	2001.01-2003.08			Estate	F4P	R915A	Outer Joint	23	35	158	44T
1.9 D (47 kW)	1999.04-			Estate	F8Q	R917A	Outer Joint	21	22	140	44T
1.9 DCi (75 kW)	2001.02-			Estate	F9Q	R916A	Outer Joint	23	30	145	44T
1.9 DTi (59 kW)	2001.02-			Estate	F9Q	R916A	Outer Joint	23	30	145	44T
MEGANE SCENIC (JA0/1_)											

Model	Year	Gearbox	Side	Body	Engine	Index	Product	Specification			
								A	B	C	ABS
1.4 i (55 kW)	1997.01-1999.09			MPV	E7J	R917A	Outer Joint	21	22	140	44T
	1997.01-1999.09	MT	L	MPV	E7J	R9009	Drive Shaft	21	29.95	645.7	
	1997.01-1999.09	MT	L	MPV	E7J	R9009A	Drive Shaft	21	29.95	645.7	44T
	1997.01-1999.09	MT	L	MPV	E7J	R9109	Drive Shaft	21	29.95	650	
	1997.01-1999.09	MT	R	MPV	E7J	R9956A	Drive Shaft	21	23	752	44T
	1997.01-1999.09	MT	R	MPV	E7J	R9056	Drive Shaft	21	23	741	
	1997.01-1999.09	MT	R	MPV	SPRING PIN	R9915A	Drive Shaft	21	23	750	44T
	1997.01-1999.09	MT	R	MPV	SPRING PIN	R9010A	Drive Shaft	21	23	741.5	44T
	1997.01-1999.09	MT	R	MPV	SPRING PIN	R9010	Drive Shaft	21	23	741.5	
1.6 E (66 kW)	1997.01-1999.09			MPV	K7M	R917A	Outer Joint	21	22	140	44T
	1997.01-1999.09	MT	L	MPV	K7M	R9009	Drive Shaft	21	29.95	645.7	
	1997.01-1999.09	MT	L	MPV	K7M	R9009A	Drive Shaft	21	29.95	645.7	44T
	1997.01-1999.09	MT	L	MPV	K7M	R9109	Drive Shaft	21	29.95	650	
	1997.01-1999.09	MT	R	MPV	K7M	R9956A	Drive Shaft	21	23	752	44T
	1997.01-1999.09	MT	R	MPV	K7M	R9056	Drive Shaft	21	23	741	
	1997.01-1999.09	MT	R	MPV	SPRING PIN	R9915A	Drive Shaft	21	23	750	44T
	1997.01-1999.09	MT	R	MPV	SPRING PIN	R9010A	Drive Shaft	21	23	741.5	44T
	1997.01-1999.09	MT	R	MPV	SPRING PIN	R9010	Drive Shaft	21	23	741.5	
1.6 i (55 kW)	1997.01-1999.09			MPV	K7M	R917A	Outer Joint	21	22	140	44T
	1997.01-1999.09	MT	L	MPV	K7M	R9009	Drive Shaft	21	29.95	645.7	
	1997.01-1999.09	MT	L	MPV	K7M	R9009A	Drive Shaft	21	29.95	645.7	44T
	1997.01-1999.09	MT	L	MPV	K7M	R9109	Drive Shaft	21	29.95	650	
	1997.01-1999.09	MT	R	MPV	K7M	R9956A	Drive Shaft	21	23	752	44T
	1997.01-1999.09	MT	R	MPV	K7M	R9056	Drive Shaft	21	23	741	
	1997.01-1999.09	MT	R	MPV	SPRING PIN	R9915A	Drive Shaft	21	23	750	44T
	1997.01-1999.09	MT	R	MPV	SPRING PIN	R9010A	Drive Shaft	21	23	741.5	44T
	1997.01-1999.09	MT	R	MPV	SPRING PIN	R9010	Drive Shaft	21	23	741.5	
1.6 16V (79 kW)	1998.04- 1999.10	MT	R	MPV	K4M	R9123A	Drive Shaft	23	23	744	44T
	1998.04- 1999.10	MT		MPV	K4M	R915A	Outer Joint	23	35	158	44T
1.6 16V (79 kW)	1999.09-2003.09	MT	R	MPV	K4M	R9123A	Drive Shaft	23	23	744	44T
	1999.09-2003.09	MT		MPV	K4M	R915A	Outer Joint	23	35	158	44T
1.6 16V BiFuel (79 kW)	1999.09-2001.04	MT	R	MPV	K4M	R9123A	Drive Shaft	23	23	744	44T
	1999.09-2001.04	MT		MPV	K4M	R915A	Outer Joint	23	35	158	44T
1.8 4x4 (85 kW)	2000.07-2001.04	MT	R	MPV	F4P	R9123A	Drive Shaft	23	23	744	44T
	2000.07-2001.04	MT		MPV	F4P	R915A	Outer Joint	23	35	158	44T
1.9 D (47 kW)	1997.03-1999.09			MPV	F8Q	R917A	Outer Joint	21	22	140	44T
1.9 DT (66 kW)	1997.01-1999.09			MPV	F8Q	R917A	Outer Joint	21	22	140	44T
	1997.01-1999.09	MT	L	MPV	F8Q	R9932A	Drive Shaft	23	29.95	654	44T
	1997.01-1999.09	MT	R	MPV	F8Q	R9985A	Drive Shaft	23	23	755	44T
1.9 DTi (72 kW)	1997.04-1999.09	MT	L	MPV	F9Q	R9932A	Drive Shaft	23	29.95	654	44T
	1997.04-1999.09	MT	R	MPV	F9Q	R9985A	Drive Shaft	23	23	755	44T
2.0 i (80 kW)	1999.01-1999.09	MT		MPV	F3R	R915A	Outer Joint	23	35	158	44T
2.0 i (84 kW)	1997.01- 1999.09	MT	R	MPV	F3R	R9123A	Drive Shaft	23	23	744	44T
	1997.01- 1999.09	MT		MPV	F3R	R915A	Outer Joint	23	35	158	44T
2.0 16V (103 kW)	1999.09-2003.08	MT	R	MPV	F4R	R9123A	Drive Shaft	23	23	744	44T
	1999.09-2003.08	MT		MPV	F4R	R915A	Outer Joint	23	35	158	44T
2.0 16V (102 kW)	2000.07-2003.08	MT	R	MPV	F4R	R9123A	Drive Shaft	23	23	744	44T
	2000.07-2003.08	MT		MPV	F4R	R915A	Outer Joint	23	35	158	44T
MEGANE II											

Model	Year	Gearbox	Side	Body	Engine	Index	Product	Specification			
								A	B	C	ABS
1.8	2000.07-2001.01	MT	R			R9985A	Drive Shaft	23	23	744	44T
1.9 DCi/DTi	1999.04-2001.01	MT	R			R9985A	Drive Shaft	23	23	744	44T
2.0 16V	1999.04-2003.05	MT	R			R9985A	Drive Shaft	23	23	744	44T
MEGANE II (BM0/1_,CM0/1_)											
1.4 16V (60 kW)	2003.10-			Hatchback	K4J	R964	Outer Joint	23	30	145	
	2003.10-		L	Hatchback	K4J	R9899	Drive Shaft	23	26	675	
	2003.10-		L	Hatchback	K4J	R9900	Drive Shaft	23	26	674	
	2003.10-	5MT	R	Hatchback	K4J	R9901	Drive Shaft	23	26	911	
1.4 16V (72 kW)	2002.11-			Hatchback	K4J	R964	Outer Joint	23	30	145	
	2002.11-		L	Hatchback	K4J	R9899	Drive Shaft	23	26	675	
	2002.11-		L	Hatchback	K4J	R9900	Drive Shaft	23	26	674	
	2002.11-	5MT	R	Hatchback	K4J	R9901	Drive Shaft	23	26	911	
1.5 DCi (60 kW)	2002.11-			Hatchback	K9K	R964	Outer Joint	23	30	145	
	2002.11-		L	Hatchback	K9K	R9899	Drive Shaft	23	26	675	
	2002.11-		L	Hatchback	K9K	R9900	Drive Shaft	23	26	674	
	2002.11-	5MT	R	Hatchback	K9K	R9901	Drive Shaft	23	26	911	
	2002.11-		L	Hatchback	K9K	R9125	Drive Shaft	25	26	660	
1.5 DCi (63 kW)	2005.05-			Hatchback	K9K	R964	Outer Joint	23	30	145	
	2005.05-		L	Hatchback	K9K	R9899	Drive Shaft	23	26	675	
	2005.05-		L	Hatchback	K9K	R9900	Drive Shaft	23	26	674	
	2005.05-	5MT	R	Hatchback	K9K	R9901	Drive Shaft	23	26	911	
1.5 DCi (74 kW)	2003.10-			Hatchback	K9K	R964	Outer Joint	23	30	145	
1.5 DCi (78 kW)	2005.05-			Hatchback	K9K	R964	Outer Joint	23	30	145	
	2005.05-		L	Hatchback	K9K	R9125	Drive Shaft	25	26	660	
1.6 16V (82 kW)	2006.01-			Hatchback	K4M	R964	Outer Joint	23	30	145	
	2006.01-		L	Hatchback	K4M	R9899	Drive Shaft	23	26	675	
	2006.01-	MT	R	Hatchback	K4M	R9901	Drive Shaft	23	26	911	
1.6 16V (83 kW)	2002.11-			Hatchback	K4M	R964	Outer Joint	23	30	145	
	2002.11-		L	Hatchback	K4M	R9899	Drive Shaft	23	26	675	
	2002.11-	MT	R	Hatchback	K4M	R9901	Drive Shaft	23	26	911	
1.9 DCi (68 kW)	2004.03-	MT	L	Hatchback	F9Q	R9904	Drive Shaft	25	39	638	
	2004.03-		R	Hatchback	F9Q	R9905	Drive Shaft	25	39	932	
1.9 DCi (81 kW)	2005.05-			Hatchback	F9Q	R966	Outer Joint	25	33	150	
	2005.05-	MT	L	Hatchback	F9Q	R9904	Drive Shaft	25	39	638	
	2005.05-		R	Hatchback	F9Q	R9905	Drive Shaft	25	39	932	
1.9 DCi (88 kW)	2002.11-			Hatchback	F9Q	R966	Outer Joint	25	33	150	
	2002.11-	MT	L	Hatchback	F9Q	R9904	Drive Shaft	25	39	638	
	2002.11-	5MT/6MT	R	Hatchback	F9Q	R9905	Drive Shaft	25	39	932	
1.9 DCi (96 kW)	2005.05-	MT	L	Hatchback	F9Q	R9904	Drive Shaft	25	39	638	
	2005.05-		R	Hatchback	F9Q	R9905	Drive Shaft	25	39	932	
2.0 (169 kW)	2006.08-	MT	R	Hatchback	F4R	R9905	Drive Shaft	25	39	932	
2.0 16V Turbo (120 kW)	2004.05-			Hatchback	F4R	R966	Outer Joint	25	33	150	
	2004.05-	MT	L	Hatchback	F4R	R9904	Drive Shaft	25	39	638	
	2004.05-		R	Hatchback	F4R	R9905	Drive Shaft	25	39	932	
MEGANE II (KM0/1_)											
1.4 (72 kW)	2003.08-			Estate	K4J	R964	Outer Joint	23	30	145	
	2003.08-		L	Estate	K4J	R9899	Drive Shaft	23	26	675	
	2003.08-		L	Estate	K4J	R9900	Drive Shaft	23	26	674	
	2003.08-		R	Estate	K4J	R9903	Drive Shaft	25	26	911	

Model	Year	Gearbox	Side	Body	Engine	Index	Product	Specification			
								A	B	C	ABS
	2003.08-	5MT	R	Estate	K4J	R9901	Drive Shaft	23	26	911	
1.5 DCi (60 kW)	2003.08-			Estate	K9K	R964	Outer Joint	23	30	145	
	2003.08-		L	Estate	K9K	R9899	Drive Shaft	23	26	675	
	2003.08-		L	Estate	K9K	R9900	Drive Shaft	23	26	674	
	2003.08-	5MT	R	Estate	K9K	R9901	Drive Shaft	23	26	911	
1.5 DCi (63 kW)	2005.05-			Estate	K9K	R964	Outer Joint	23	30	145	
	2005.05-		L	Estate	K9K	R9899	Drive Shaft	23	26	675	
	2005.05-		L	Estate	K9K	R9900	Drive Shaft	23	26	674	
	2005.05-	5MT	R	Estate	K9K	R9901	Drive Shaft	23	26	911	
1.5 DCi (74 kW)	2004.02-			Estate	K9K	R964	Outer Joint	23	30	145	
1.5 DCi (78 kW)	2005.05-			Estate	K9K	R964	Outer Joint	23	30	145	
	2005.05-		L	Estate	K9K	R9125	Drive Shaft	25	26	660	
1.6 (83 kW)	2003.08-			Estate	K4M	R964	Outer Joint	23	30	145	
	2003.08-		L	Estate	K4M	R9899	Drive Shaft	23	26	675	
	2003.08-	MT	R	Estate	K4M	R9901	Drive Shaft	23	26	911	
	2003.08-		R	Estate	K4M	R9903	Drive Shaft	25	26	911	
1.6 16V (82 kW)	2006.01-			Estate	K4M	R964	Outer Joint	23	30	145	
	2006.01-		L	Estate	K4M	R9899	Drive Shaft	23	26	675	
	2006.01-	MT	R	Estate	K4M	R9901	Drive Shaft	23	26	911	
1.9 DCi (68 kW)	2004.03-	MT	L	Estate	F9Q	R9904	Drive Shaft	25	39	638	
	2004.03-		R	Estate	F9Q	R9905	Drive Shaft	25	39	932	
1.9 DCi (81 kW)	2005.05-			Estate	F9Q	R966	Outer Joint	25	33	150	
	2005.05-	MT	L	Estate	F9Q	R9904	Drive Shaft	25	39	638	
	2005.05-		R	Estate	F9Q	R9905	Drive Shaft	25	39	932	
1.9 DCi (88 kW)	2003.08-	MT	L	Estate	F9Q	R9904	Drive Shaft	25	39	638	
	2003.08-		R	Estate	F9Q	R9905	Drive Shaft	25	39	932	
1.9 DCi (96 kW)	2005.05-	MT	L	Estate	F9Q	R9904	Drive Shaft	25	39	638	
	2005.05-		R	Estate	F9Q	R9905	Drive Shaft	25	39	932	
MEGANE II (LM0/1_)											
1.4 (60 kW)	2003.09-			Saloon	K4J	R964	Outer Joint	23	30	145	
	2003.09-		L	Saloon	K4J	R9899	Drive Shaft	23	26	675	
	2003.09-		L	Saloon	K4J	R9900	Drive Shaft	23	26	674	
	2003.09-	5MT	R	Saloon	K4J	R9901	Drive Shaft	23	26	911	
1.4 (72 kW)	2003.09-			Saloon	K4J	R964	Outer Joint	23	30	145	
	2003.09-		L	Saloon	K4J	R9899	Drive Shaft	23	26	675	
	2003.09-		L	Saloon	K4J	R9900	Drive Shaft	23	26	674	
	2003.09-		R	Saloon	K4J	R9903	Drive Shaft	25	26	911	
	2003.09-	5MT	R	Saloon	K4J	R9901	Drive Shaft	23	26	911	
1.5 DCi (60 kW)	2003.09-			Saloon	K9K	R964	Outer Joint	23	30	145	
	2003.09-		L	Saloon	K9K	R9899	Drive Shaft	23	26	675	
	2003.09-		L	Saloon	K9K	R9900	Drive Shaft	23	26	674	
	2003.09-	5MT	R	Saloon	K9K	R9901	Drive Shaft	23	26	911	
	2003.09-		L	Saloon	K9K	R9125	Drive Shaft	25	26	660	
1.5 DCi (63 kW)	2005.05-			Saloon	K9K	R964	Outer Joint	23	30	145	
	2005.05-		L	Saloon	K9K	R9899	Drive Shaft	23	26	675	
	2005.05-		L	Saloon	K9K	R9900	Drive Shaft	23	26	674	
	2005.05-	5MT	R	Saloon	K9K	R9901	Drive Shaft	23	26	911	
1.5 DCi (74 kW)	2004.02-			Saloon	K9K	R964	Outer Joint	23	30	145	
	2004.02-	MT	L	Saloon	K9K	R9900	Drive Shaft	23	26	674	

Model	Year	Gearbox	Side	Body	Engine	Index	Product	Specification			
								A	B	C	ABS
	2004.02-	MT	R	Saloon	K9K	R9901	Drive Shaft	23	26	911	
1.5 DCi (78 kW)	2005.05-			Saloon	K9K	R964	Outer Joint	23	30	145	
	2005.05-		L	Saloon	K9K	R9125	Drive Shaft	25	26	660	
1.6 16V (83 kW)	2003.09-			Saloon	K4M	R964	Outer Joint	23	30	145	
	2003.09-		L	Saloon	K4M	R9899	Drive Shaft	23	26	675	
	2003.09-	MT	R	Saloon	K4M	R9901	Drive Shaft	23	26	911	
	2003.09-		R	Saloon	K4M	R9903	Drive Shaft	25	26	911	
1.6 16V (82 kW)	2006.01-			Saloon	K4M	R964	Outer Joint	23	30	145	
	2006.01-		L	Saloon	K4M	R9899	Drive Shaft	23	26	675	
	2006.01-	MT	R	Saloon	K4M	R9901	Drive Shaft	23	26	911	
1.9 DCi (68 kW)	2004.03-	MT	L	Saloon	F9Q	R9904	Drive Shaft	25	39	638	
	2004.03-		R	Saloon	F9Q	R9905	Drive Shaft	25	39	932	
1.9 DCi (81 kW)	2005.05-			Saloon	F9Q	R966	Outer Joint	25	33	150	
	2005.05-	MT	L	Saloon	F9Q	R9904	Drive Shaft	25	39	638	
	2005.05-		R	Saloon	F9Q	R9905	Drive Shaft	25	39	932	
1.9 DCi (88 kW)	2003.09-	MT	L	Saloon	F9Q	R9904	Drive Shaft	25	39	638	
	2003.09-		R	Saloon	F9Q	R9905	Drive Shaft	25	39	932	
1.9 DCi (96 kW)	2005.05-	MT	L	Saloon	F9Q	R9904	Drive Shaft	25	39	638	
	2005.05-		R	Saloon	F9Q	R9905	Drive Shaft	25	39	932	
MEGANE II COUPE-CABRIO (EM0/1_)											
1.5 DCi (63 kW)	2005.05-			Convertible	K9K	R964	Outer Joint	23	30	145	
	2005.05-		L	Convertible	K9K	R9900	Drive Shaft	23	26	674	
	2005.05-	5MT	R	Convertible	K9K	R9901	Drive Shaft	23	26	911	
1.5 DCi (76 kW)	2007.01-2009.06		L	Convertible	K9K	R9125	Drive Shaft	25	26	660	
1.5 DCi (78 kW)	2006.03-			Convertible	K9K	R964	Outer Joint	23	30	145	
	2006.03-		L	Convertible	K9K	R9125	Drive Shaft	25	26	660	
1.6 16V (83 kW)	2003.09-			Convertible	K4M	R964	Outer Joint	23	30	145	
	2003.09-		L	Convertible	K4M	R9899	Drive Shaft	23	26	675	
	2003.09-	MT	R	Convertible	K4M	R9901	Drive Shaft	23	26	911	
1.6 16V (82 kW)	2006.01-			Convertible	K4M	R964	Outer Joint	23	30	145	
	2006.01-		L	Convertible	K4M	R9899	Drive Shaft	23	26	675	
	2006.01-	MT	R	Convertible	K4M	R9901	Drive Shaft	23	26	911	
1.9 DCi (81 kW)	2005.05-			Convertible	F9Q	R966	Outer Joint	25	33	150	
	2005.05-	MT	L	Convertible	F9Q	R9904	Drive Shaft	25	39	638	
	2005.05-		R	Convertible	F9Q	R9905	Drive Shaft	25	39	932	
1.9 DCi (88 kW)	2003.09-	MT	L	Convertible	F9Q	R9904	Drive Shaft	25	39	638	
	2003.09-		R	Convertible	F9Q	R9905	Drive Shaft	25	39	932	
1.9 DCi (96 kW)	2005.05-		R	Convertible	F9Q	R9905	Drive Shaft	25	39	932	
2.0 16V Turbo (120 kW)	2004.05-	MT	L	Convertible	F4R	R9904	Drive Shaft	25	39	638	
	2004.05-		R	Convertible	F4R	R9905	Drive Shaft	25	39	932	
MEGANE III (BZ0_)											
1.5 DCi (63 kW)	2009.12-		L	Hatchback	K9K	R9124	Drive Shaft	25	26	700	
1.5 DCi (66 kW)	2008.11-		L	Hatchback	K9K	R9124	Drive Shaft	25	26	700	
1.5 DCi (79 kW)	2009.02-		L	Hatchback	K9K	R9906	Drive Shaft	25	26	685	
	2009.02-		R	Hatchback	K9K	R9907	Drive Shaft	25	26	947	
	2009.02-			Hatchback	K9K	R969	Outer Joint	25	33	147	
1.5 DCi (81 kW)	2009.02-		L	Hatchback	K9K	R9906	Drive Shaft	25	26	685	
	2009.02-		R	Hatchback	K9K	R9907	Drive Shaft	25	26	947	
	2009.02-			Hatchback	K9K	R969	Outer Joint	25	33	147	

Model	Year	Gearbox	Side	Body	Engine	Index	Product	Specification			
								A	B	C	ABS
1.6 16V (74 kW)	2008.11-		L	Hatchback	K4M	R9124	Drive Shaft	25	26	700	
1.6 DCi (96 kW)	2011.04-	MT	R	Hatchback	R9M	R9976	Drive Shaft	25	39	953	
	2011.04-			Hatchback	R9M	R970	Outer Joint	25	33	152	
1.9 DCi (96 kW)	2008.11-	MT	R	Hatchback	F9Q	R9976	Drive Shaft	25	39	953	
	2008.11-			Hatchback	F9Q	R970	Outer Joint	25	33	152	
MEGANE III COUPE (DZ0_)											
1.5 DCi (63 kW)	2008.11-		L	Coupe	K9K	R9124	Drive Shaft	25	26	700	
1.5 DCi (66 kW)	2008.11-		L	Coupe	K9K	R9124	Drive Shaft	25	26	700	
1.5 DCi (79 kW)	2009.02-		L	Coupe	K9K	R9906	Drive Shaft	25	26	685	
	2009.02-		R	Coupe	K9K	R9907	Drive Shaft	25	26	947	
	2009.02-			Coupe	K9K	R969	Outer Joint	25	33	147	
1.5 DCi (81 kW)	2009.02-		L	Coupe	K9K	R9906	Drive Shaft	25	26	685	
	2009.02-		R	Coupe	K9K	R9907	Drive Shaft	25	26	947	
	2009.02-			Coupe	K9K	R969	Outer Joint	25	33	147	
1.6 16V (74 kW)	2009.06-		L	Coupe	K4M	R9124	Drive Shaft	25	26	700	
1.6 DCi (96 kW)	2011.04-	MT	R	Coupe	R9M	R9976	Drive Shaft	25	39	953	
	2011.04-			Coupe	R9M	R970	Outer Joint	25	33	152	
1.9 DCi (96 kW)	2008.11-	MT	R	Coupe	F9Q	R9976	Drive Shaft	25	39	953	
	2008.11-			Coupe	F9Q	R970	Outer Joint	25	33	152	
MEGANE III GRANDTOUR (KZ0_)											
1.5 DCi (63 kW)	2009.03-		L	Estate	K9K	R9124	Drive Shaft	25	26	700	
1.5 DCi (66 kW)	2009.05-		L	Estate	K9K	R9124	Drive Shaft	25	26	700	
1.5 DCi (79 kW)	2009.02-		L	Estate	K9K	R9906	Drive Shaft	25	26	685	
	2009.02-		R	Estate	K9K	R9907	Drive Shaft	25	26	947	
	2009.02-			Estate	K9K	R969	Outer Joint	25	33	147	
1.5 DCi (81 kW)	2009.02-		L	Estate	K9K	R9906	Drive Shaft	25	26	685	
	2009.02-		R	Estate	K9K	R9907	Drive Shaft	25	26	947	
	2009.02-			Estate	K9K	R969	Outer Joint	25	33	147	
1.6 16V (74 kW)	2009.05-		L	Estate	K4M	R9124	Drive Shaft	25	26	700	
1.6 DCi (96 kW)	2011.04-	MT	R	Estate	R9M	R9976	Drive Shaft	25	39	953	
	2011.04-			Estate	R9M	R970	Outer Joint	25	33	152	
1.9 DCi (96 kW)	2009.05-	MT	R	Estate	F9Q	R9976	Drive Shaft	25	39	953	
	2009.05-			Estate	F9Q	R970	Outer Joint	25	33	152	
MEGANE III CC (EZ0_)											
1.5 DCi (81 kW)	2010.06-		L	Convertible	K9K	R9906	Drive Shaft	25	26	685	
	2010.06-		R	Convertible	K9K	R9907	Drive Shaft	25	26	947	
	2010.06-			Convertible	K9K	R969	Outer Joint	25	33	147	
MODUS / GRAND MODUS (F/JP0_)											
1.2 (48 kW)	2005.05-			Hatchback	D4F	R963	Outer Joint	23	28	138	
	2005.05-		L	Hatchback	D4F	R9741	Drive Shaft	23	26	651	
	2005.05-		R	Hatchback	D4F	R9742	Drive Shaft	23	26	890	
1.2 (55 kW)	2004.12-			Hatchback	D4F	R963	Outer Joint	23	28	138	
	2004.12-		L	Hatchback	D4F	R9741	Drive Shaft	23	26	651	
	2004.12-		R	Hatchback	D4F	R9742	Drive Shaft	23	26	890	
1.2 (58 kW)	2004.12-			Hatchback	D4F	R963	Outer Joint	23	28	138	
	2004.12-		L	Hatchback	D4F	R9741	Drive Shaft	23	26	651	
	2004.12-		R	Hatchback	D4F	R9742	Drive Shaft	23	26	890	
1.2 16V TCE (74 kW)	2007.04-		L	Hatchback	D4FT	R9741	Drive Shaft	23	26	651	
	2007.04-		R	Hatchback	D4FT	R9742	Drive Shaft	23	26	890	

Model	Year	Gearbox	Side	Body	Engine	Index	Product	Specification			
								A	B	C	ABS
1.4 (72 kW)	2004.12-			Hatchback	K4J	R963	Outer Joint	23	28	138	
	2004.12-		R	Hatchback	K4J	R9740	Drive Shaft	23	26	897	
1.5 DCi (48 kW)	2004.12-		L	Hatchback	K9K	R9739	Drive Shaft	23	26	649	
	2004.12-		R	Hatchback	K9K	R9740	Drive Shaft	23	26	897	
1.5 DCi (50 kW)	2004.12-		R	Hatchback	K9K	R9740	Drive Shaft	23	26	897	
1.5 DCi (63 kW)	2004.12-			Hatchback	K9K	R821	Outer Joint	23	29	143	
	2004.12-		L	Hatchback	K9K	R9739	Drive Shaft	23	26	649	
	2004.12-		R	Hatchback	K9K	R9740	Drive Shaft	23	26	897	
1.5 DCi (76 kW)	2007.05-		L	Hatchback	K9K	R9739	Drive Shaft	23	26	649	
	2007.05-		R	Hatchback	K9K	R9740	Drive Shaft	23	26	897	
1.5 DCi (78 kW)	2005.05-		L	Hatchback	K9K	R9739	Drive Shaft	23	26	649	
	2005.05-		R	Hatchback	K9K	R9740	Drive Shaft	23	26	897	
1.6 (82 kW)	2004.12-			Hatchback	K4M	R964	Outer Joint	23	30	145	
	2004.12-		L	Hatchback	K4M	R9739	Drive Shaft	23	26	649	
RAPID (F40_G40_)											
1.0 (27 kW)	1986.02-1992.05	MT	L	Box	Box	R9023	Drive Shaft	21	29.95	599	
	1986.02-1992.05	MT	R	Box	Box	R9029	Drive Shaft	21	23	693.5	
1.2 (40 kW)	1991.09-1998.03	MT	L	Box	C3G	R9023	Drive Shaft	21	29.95	599	
	1991.09-1998.03	MT	R	Box	C3G	R9029	Drive Shaft	21	23	693.5	
1.4 (43 kW)	1985.07-1991.08	MT	L	Box	C1J	R9023	Drive Shaft	21	29.95	599	
	1985.07-1991.08	MT	R	Box	C1J	R9029	Drive Shaft	21	23	693.5	
	1988.08-1998.03	MT	L	Box	C3J	R9023	Drive Shaft	21	29.95	599	
	1988.08-1998.03	MT	R	Box	C3J	R9029	Drive Shaft	21	23	693.5	
1.4 (44 kW)	1986.03-1991.08	MT	L	Box	C2J	R9023	Drive Shaft	21	29.95	599	
	1986.03-1991.08	MT	R	Box	C2J	R9029	Drive Shaft	21	23	693.5	
1.4 (55 kW)	1991.09-1998.03	MT	L	Box	E7J	R9023	Drive Shaft	21	20.95	599	
	1991.09-1998.03	MT	R	Box	E7J	R9029	Drive Shaft	21	23	693.5	
1.4 (58 kW)	1994.01-1998.03	MT	L	Box	E7J	R9023	Drive Shaft	21	29.95	599	
	1994.01-1998.03	MT	R	Box	E7J	R9029	Drive Shaft	21	23	693.5	
1.4 (59 kW)	1995.05-1997.08	MT	L	Box	E7J	R9023	Drive Shaft	21	29.95	599	
	1995.05-1997.08	MT	R	Box	E7J	R9029	Drive Shaft	21	23	693.5	
1.6 D (40 kW)	1986.03-1998.08	MT	L	Box	F8M	R9023	Drive Shaft	21	29.95	599	
	1986.03-1998.08	MT	R	Box	F8M	R9029	Drive Shaft	21	23	693.5	
1.9 D (40 kW)	1994.09-1998.03	MT	L	Box	F8Q	R9023	Drive Shaft	21	29.95	599	
	1994.09-1998.03	MT	R	Box	F8Q	R9029	Drive Shaft	21	23	693.5	
SAFRANE I (B54_)											
2.0 12V (97 kW)	1992.04-1996.07		L	Hatchback	J7R	R9007A	Drive Shaft	23	37.1	597.5	30T
	1992.04-1996.07		R	Hatchback	J7R	R9008A	Drive Shaft	23	37.1	540	30T
2.1 DT (65 kW)	1993.11-1996.07			Hatchback	J8S	R920	Outer Joint	23	25	142	
	1993.11-1996.07		L	Hatchback	J8S	R9007A	Drive Shaft	23	37.1	597.5	30T
	1993.11-1996.07		R	Hatchback	J8S	R9008A	Drive Shaft	23	37.1	540	30T
2.2 (101 kW)	1992.04-1996.07			Hatchback	J7T	R920	Outer Joint	23	25	142	
	1992.04-1996.07		L	Hatchback	J7T	R9007A	Drive Shaft	23	37.1	597.5	30T
	1992.04-1996.07		R	Hatchback	J7T	R9008A	Drive Shaft	23	37.1	540	30T
2.2 (79 kW)	1992.04-1996.07			Hatchback	J7T	R920	Outer Joint	23	25	142	
	1992.04-1996.07		L	Hatchback	J7T	R9007A	Drive Shaft	23	37.1	597.5	30T
	1992.04-1996.07		R	Hatchback	J7T	R9008A	Drive Shaft	23	37.1	540	30T
2.5 DT (83 kW)	1992.12-1996.07			Hatchback	S8U	R920	Outer Joint	23	25	142	
SAFRANE II (B54_)											

Model	Year	Gearbox	Side	Body	Engine	Index	Product	Specification			
								A	B	C	ABS
2.0 16V (100 kW)	1996.07-2000.12	MT	R	Hatchback	N7Q	R9043A	Drive Shaft	23	26	929	30T
	1996.07-2000.12	MT	L	Hatchback	N7Q	R9044A	Drive Shaft	23	26	670	30T
2.5 20V (121 kW)	1996.07-2000.12	MT	L	Hatchback	N7U	R9046A	Drive Shaft	23	26	594	30T
	1996.07-2000.12	MT	R	Hatchback	N7U	R9047A	Drive Shaft	23	26	1020	30T
SCENIC I											
1.9 TD/1.9 TDi	1997.05-1999.04	MT	R			R9985A	Drive Shaft	23	23	744	44T
2.0 8V	1997.05-1998.06	MT	R			R9985A	Drive Shaft	23	23	744	44T
SCENIC I (JA0/1_)											
1.4 16V (70 kW)	1999.09-2003.08	MT	L	MPV	K4J	R9009	Drive Shaft	21	29.95	645.7	
	1999.09-2003.08	MT	L	MPV	K4J	R9009A	Drive Shaft	21	29.95	645.7	44T
	1999.09-2003.08	MT	L	MPV	K4J	R9109	Drive Shaft	21	29.95	650	
	1999.09-2003.08	MT	R	MPV	K4J	R9956A	Drive Shaft	21	23	752	44T
	1999.09-2003.08	MT	R	MPV	K4J	R9056	Drive Shaft	21	23	741	
1.6 16V (75 kW)	2001.03-2003.08	AT		MPV	K4M	R916A	Outer Joint	23	30	145	44T
	2001.03-2003.08	MT		MPV	K4M	R915A	Outer Joint	23	35	158	44T
1.6 16V (79 kW)	1999.09-2003.08	AT		MPV	K4M	R916A	Outer Joint	23	30	145	44T
	1999.09-2003.08	MT	L	MPV	K4M	R9983A	Drive Shaft	23	29.95	656.5	44T
1.8 16V (85 kW)	2001.01-2003.08		L	MPV	F4P	R9983A	Drive Shaft	23	29.95	656.5	44T
	2001.01-2003.08		R	MPV	F4P	R9888A	Drive Shaft	23	23	750	44T
	2001.01-2003.08			MPV	F4P	R915A	Outer Joint	23	35	158	44T
1.8 16V 4x4 (85 kW)	2000.07-2001.04			MPV	F4P	R915A	Outer Joint	23	35	158	44T
1.9 DCi (75 kW)	1999.09-2003.08			MPV	F9Q	R916A	Outer Joint	23	30	145	44T
1.9 DTi (59 kW)	2001.02-2003.08			MPV	F9Q	R916A	Outer Joint	23	30	145	44T
1.9 DTi (72 kW)	1999.09-2003.08	MT	L	MPV	F9Q	R9932A	Drive Shaft	23	29.95	654	44T
	1999.09-2003.08	MT	R	MPV	F9Q	R9985A	Drive Shaft	23	23	755	44T
2.0 16V (102 kW)	2000.07-2003.08	MT	L	MPV	F4R	R9983A	Drive Shaft	23	29.95	656.5	44T
	2000.07-2003.08			MPV	F4R	R915A	Outer Joint	23	35	158	44T
2.0 16V (103 kW)	1999.09-2003.08	MT	L	MPV	F4R	R9983A	Drive Shaft	23	29.95	656.5	44T
	1999.09-2003.08			MPV	F4R	R915A	Outer Joint	23	35	158	44T
SCENIC II											
1.6	1999.06-2001.03	MT	R			R9985A	Drive Shaft	23	23	744	44T
1.8	2000.07-2003.03	MT	R			R9985A	Drive Shaft	23	23	744	44T
1.9 DCi/DTi	1999.06-2001.01	MT	R			R9985A	Drive Shaft	23	23	744	44T
2.0 16V	1999.06-2004.02	MT	R			R9985A	Drive Shaft	23	23	744	44T
SCENIC II (JM0/1_)											
1.4 (72 kW)	2003.06-			MPV	K4J	R965	Outer Joint	25	22	143	
	2003.06-	MT	R	MPV	K4J	R9903	Drive Shaft	25	26	911	
1.5 DCi (60 kW)	2003.06-		R	MPV	K9K	R9903	Drive Shaft	25	26	911	
	2003.06-			MPV	K9K	R967	Outer Joint	25	30	146	
	2003.06-		L	MPV	K9K	R9125	Drive Shaft	25	26	660	
1.5 DCi (63 kW)	2005.05-		R	MPV	K9K	R9903	Drive Shaft	25	26	911	
	2005.05-		L	MPV	K9K	R9125	Drive Shaft	25	26	660	
1.5 DCi (74 kW)	2003.11-		L	MPV	K9K	R9902	Drive Shaft	25	26	674	
	2003.11-		L	MPV	K9K	R9125	Drive Shaft	25	26	660	
1.5 DCi (76 kW)	2007.01-		L	MPV	K9K	R9902	Drive Shaft	25	26	674	
	2007.01-		L	MPV	K9K	R9125	Drive Shaft	25	26	660	
1.5 DCi (78 kW)	2005.05-		L	MPV	K9K	R9125	Drive Shaft	25	26	660	
1.6 (77 kW)	2006.06-			MPV	K4M	R965	Outer Joint	25	22	143	
	2006.06-	MT	R	MPV	K4M	R9903	Drive Shaft	25	26	911	

Model	Year	Gearbox	Side	Body	Engine	Index	Product	Specification			
								A	B	C	ABS
1.6 (83 kW)	2003.06-			MPV	K4M	R965	Outer Joint	25	22	143	
	2003.06-	MT	R	MPV	K4M	R9903	Drive Shaft	25	26	911	
1.6 16V (82 kW)	2007.01-	MT	R	MPV	K4M	R9903	Drive Shaft	25	26	911	
1.9 DCi (81 kW)	2005.05-	MT	L	MPV	F9Q	R9904	Drive Shaft	25	39	638	
	2005.05-		R	MPV	F9Q	R9905	Drive Shaft	25	39	932	
1.9 DCi (88 kW)	2003.06-			MPV	F9Q	R966	Outer Joint	25	33	150	
	2003.06-	MT	L	MPV	F9Q	R9904	Drive Shaft	25	39	638	
	2003.06-		R	MPV	F9Q	R9905	Drive Shaft	25	39	932	
1.9 DCi (96 kW)	2005.05-	MT	L	MPV	F9Q	R9904	Drive Shaft	25	39	638	
	2005.05-		R	MPV	F9Q	R9905	Drive Shaft	25	39	932	
2.0 (99 kW)	2003.06-			MPV	F4R	R966	Outer Joint	25	33	150	
	2003.06-	MT	L	MPV	F4R	R9904	Drive Shaft	25	39	638	
	2003.06-	MT	R	MPV	F4R	R9905	Drive Shaft	25	39	932	
2.0 16V Turbo (120 kW)	2004.05-	MT	L	MPV	F4R	R9904	Drive Shaft	25	39	638	
	2004.05-		R	MPV	F4R	R9905	Drive Shaft	25	39	932	
2.0 DCi (110 kW)	2005.09-	MT	L	MPV	M9R	R9904	Drive Shaft	25	39	638	
	2005.09-		R	MPV	M9R	R9905	Drive Shaft	25	39	932	
SCENIC III (JZ0/1_)											
1.5 DCi (63 kW)	2009.04-		L	MPV	K9K	R9906	Drive Shaft	25	26	685	
	2009.04-		R	MPV	K9K	R9907	Drive Shaft	25	26	947	
	2009.04-			MPV	K9K	R969	Outer Joint	25	33	147	
1.5 DCi (79 kW)	2009.02-		L	MPV	K9K	R9906	Drive Shaft	25	26	685	
	2009.02-		R	MPV	K9K	R9907	Drive Shaft	25	26	947	
	2009.02-			MPV	K9K	R969	Outer Joint	25	33	147	
1.5 DCi (81 kW)	2009.04-		L	MPV	K9K	R9906	Drive Shaft	25	26	685	
	2009.04-		R	MPV	K9K	R9907	Drive Shaft	25	26	947	
	2009.04-			MPV	K9K	R969	Outer Joint	25	33	147	
SUPER 5 (B/C40_)											
1.0 (30 kW)	1984.10-1988.10	MT	L	Hatchback	C1C	R9021	Drive Shaft	21	29.95	612	
	1984.10-1988.10	MT	L	Hatchback	C1C	R9023	Drive Shaft	21	29.95	599	
	1984.10-1988.10	MT	R	Hatchback	C1C	R9022	Drive Shaft	21	23	680	
	1984.10-1988.10	MT&3AT	R	Hatchback	C1C	R9029	Drive Shaft	21	23	693.5	
1.1 (33 kW)	1986.01-1995.03	MT	L	Hatchback	C1E	R9021	Drive Shaft	21	29.95	612	
	1986.01-1995.03	MT	L	Hatchback	C1E	R9023	Drive Shaft	21	29.95	599	
	1986.01-1995.03	MT	R	Hatchback	C1E	R9022	Drive Shaft	21	23	680	
	1986.01-1995.03	MT&3AT	R	Hatchback	C1E	R9029	Drive Shaft	21	23	693.5	
1.1 (34 kW)	1984.10-1988.10	MT	L	Hatchback	C1E	R9021	Drive Shaft	21	29.95	612	
	1984.10-1988.10	MT	L	Hatchback	C1E	R9023	Drive Shaft	21	29.95	599	
	1984.10-1988.10	MT	R	Hatchback	C1E	R9022	Drive Shaft	21	23	680	
	1984.10-1988.10	MT&3AT	R	Hatchback	C1E	R9029	Drive Shaft	21	23	693.5	
1.4 (43 kW)	1984.10-1988.06	MT	L	Hatchback	C1J	R9021	Drive Shaft	21	29.95	612	
	1984.10-1988.06	MT	L	Hatchback	C1J	R9023	Drive Shaft	21	29.95	599	
	1984.10-1988.06	MT	R	Hatchback	C1J	R9022	Drive Shaft	21	23	680	
	1984.10-1988.06	MT&3AT	R	Hatchback	C1J	R9029	Drive Shaft	21	23	693.5	
	1985.10-1996.12	MT	L	Hatchback	C3J	R9021	Drive Shaft	21	29.95	612	
	1985.10-1996.12	MT	L	Hatchback	C3J	R9023	Drive Shaft	21	29.95	599	
	1985.10-1996.12	MT	R	Hatchback	C3J	R9022	Drive Shaft	21	23	680	
1985.10-1996.12	MT&3AT	R	Hatchback	C3J	R9029	Drive Shaft	21	23	693.5		
1.4 (44 kW)	1987.06-1990.08	MT	L	Hatchback	C2J	R9021	Drive Shaft	21	29.95	612	

Model	Year	Gearbox	Side	Body	Engine	Index	Product	Specification			
								A	B	C	ABS
	1987.06-1990.08	MT	L	Hatchback	C2J	R9023	Drive Shaft	21	29.95	599	
	1987.06-1990.08	MT	R	Hatchback	C2J	R9022	Drive Shaft	21	23	680	
	1987.06-1990.08	MT&3AT	R	Hatchback	C2J	R9029	Drive Shaft	21	23	693.5	
1.4 (49 kW)	1987.06-1989.07	MT	L	Hatchback	C2J	R9021	Drive Shaft	21	29.95	612	
	1987.06-1989.07	MT	L	Hatchback	C2J	R9023	Drive Shaft	21	29.95	599	
	1987.06-1989.07	MT	R	Hatchback	C2J	R9022	Drive Shaft	21	23	680	
	1987.06-1989.07	MT&3AT	R	Hatchback	C2J	R9029	Drive Shaft	21	23	693.5	
1.4 (52 kW)	1984.10-1989.07	MT	L	Hatchback	C2J	R9021	Drive Shaft	21	29.95	612	
	1984.10-1989.07	MT	L	Hatchback	C2J	R9023	Drive Shaft	21	29.95	599	
	1984.10-1989.07	MT	R	Hatchback	C2J	R9022	Drive Shaft	21	23	680	
	1984.10-1989.07	MT&3AT	R	Hatchback	C2J	R9029	Drive Shaft	21	23	693.5	
1.4 Turbo (88 kW)	1985.04-1990.08	MT	L	Hatchback	C1J	R9021	Drive Shaft	21	29.95	612	
	1985.04-1990.08	MT	L	Hatchback	C1J	R9023	Drive Shaft	21	29.95	599	
	1985.04-1990.08	MT	R	Hatchback	C1J	R9022	Drive Shaft	21	23	680	
	1985.04-1990.08	MT&3AT	R	Hatchback	C1J	R9029	Drive Shaft	21	23	693.5	
1.6 D (40 kW)	1985.08-1996.12	MT	L	Hatchback	F8M	R9023	Drive Shaft	21	29.95	599	
	1985.08-1996.12	MT	R	Hatchback	F8M	R9029	Drive Shaft	21	23	693.5	
1.7 (54 kW)	1986.10-1995.03	MT	L	Hatchback	F3N	R9021	Drive Shaft	21	29.95	612	
	1986.10-1995.03	MT	L	Hatchback	F3N	R9023	Drive Shaft	21	29.95	599	
	1986.10-1995.03	MT	R	Hatchback	F3N	R9022	Drive Shaft	21	23	680	
	1986.10-1995.03	MT&3AT	R	Hatchback	F3N	R9029	Drive Shaft	21	23	693.5	
1.7 (64 kW)	1987.06-1995.03	MT	L	Hatchback	F2N	R9021	Drive Shaft	21	29.95	612	
	1987.06-1995.03	MT	L	Hatchback	F2N	R9023	Drive Shaft	21	29.95	599	
	1987.06-1995.03	MT	R	Hatchback	F2N	R9022	Drive Shaft	21	23	680	
	1987.06-1995.03	MT&3AT	R	Hatchback	F2N	R9029	Drive Shaft	21	23	693.5	
1.7 i (69 kW)	1986.10-1991.08	MT	L	Hatchback	F3N	R9021	Drive Shaft	21	29.95	612	
	1986.10-1991.08	MT	L	Hatchback	F3N	R9023	Drive Shaft	21	29.95	599	
	1986.10-1991.08	MT	R	Hatchback	F3N	R9022	Drive Shaft	21	23	680	
	1986.10-1991.08	MT&3AT	R	Hatchback	F3N	R9029	Drive Shaft	21	23	693.5	
THALIA (LB01/2)											
1.4 (55 kW)	2000.08-	MT		Saloon	K7J	R918A	Outer Joint	21	30	145	26T
	2000.08-	MT	L	Saloon	K7J	R9004	Drive Shaft	21	29.95	623	
	2000.08-	MT	L	Saloon	K7J	R9004A	Drive Shaft	21	29.95	625.7	26T
	2000.08-	MT	R	Saloon	K7J	R9016	Drive Shaft	21	23	712	
	2000.08-	MT	R	Saloon	K7J	R9092A	Drive Shaft	21	23	715	26T
	2000.08-	MT	R	Saloon	K7J	R9055A	Drive Shaft	21	23	728	26T
1.4 16V (72 kW)	2000.08-			Saloon	K4J	R918A	Outer Joint	21	30	145	26T
	2000.08-	MT	L	Saloon	K4J	R9004	Drive Shaft	21	29.95	623	
	2000.08-	MT	L	Saloon	K4J	R9004A	Drive Shaft	21	29.95	625.7	26T
	2000.08-	MT	R	Saloon	K4J	R9016	Drive Shaft	21	23	712	
	2000.08-	MT	R	Saloon	K4J	R9092A	Drive Shaft	21	23	715	26T
	2000.08-	MT	R	Saloon	K4J	R9055A	Drive Shaft	21	23	728	26T
1.5 DCi (48 kW)	2002.04-			Saloon	K9K	R918A	Outer Joint	21	30	145	26T
	2002.04-	MT	R	Saloon	K9K	R9055A	Drive Shaft	21	23	728	26T
TRAFIC (P6)											
1.4 (35 kW)	1980.03-1989.04	MT	L/R	Platform	C1J	R9038	Drive Shaft	23	27	712.5	
1.6 (48 kW)	1980.03-1986.06	MT	L/R	Platform	A1M	R9038	Drive Shaft	23	27	712.5	
1.7 (50 kW)	1986.06-1989.04	MT	L/R	Platform	F1N	R9038	Drive Shaft	23	27	712.5	
2.0 (59 kW)	1980.03-1989.04	MT	L/R	Platform	J5R	R9038	Drive Shaft	23	27	712.5	

Model	Year	Gearbox	Side	Body	Engine	Index	Product	Specification			
								A	B	C	ABS
2.0 (63 kW)	1980.03-1986.12	MT	L/R	Platform	829720/829721	R9038	Drive Shaft	23	27	712.5	
2.1 D (43 kW)	1980.03-1989.04	MT	L/R	Platform		R9038	Drive Shaft	23	27	712.5	
2.5 D (51 kW)	1980.03-1989.04	MT	L/R	Platform	S8U	R9038	Drive Shaft	23	27	712.5	
TRAFIC (PXX)											
1.7 (50 kW)	1989.05-1994.08	MT	L/R	Platform	F1N	R9028	Drive Shaft	25	27	713.5	
2.0 (59 kW)	1989.05-1997.10	MT	L/R	Platform	J5R	R9028	Drive Shaft	25	27	713.5	
2.1 D (43 kW)	1989.05-1994.06	MT	L/R	Platform		R9028	Drive Shaft	25	27	713.5	
2.1 D (47 kW)	1994.06-1997.10	MT	L/R	Platform	J8S	R9028	Drive Shaft	25	27	713.5	
2.5 D (51 kW)	1989.05-2001.03	MT	L/R	Platform	S8U	R9028	Drive Shaft	25	27	713.5	
TRAFIC (T1,T3,T4)											
1.4 (35 kW)	1980.03-1989.04	MT	L/R	Box	C1J	R9038	Drive Shaft	23	27	712.5	
1.6 (48 kW)	1983.01-1986.06	MT	L/R	Box	A1M	R9038	Drive Shaft	23	27	712.5	
1.6 4WD (48 kW)	1985.08-1986.06	MT	L/R	Box	A1M	R9038	Drive Shaft	23	27	712.5	
1.7 (50 kW)	1986.06-1989.04	MT	L/R	Box	F1N	R9038	Drive Shaft	23	27	712.5	
2.0 (59 kW)	1986.06-1989.04	MT	L/R	Box	J5R	R9038	Drive Shaft	23	27	712.5	
2.0 4WD (59 kW)	1986.06-1989.04	MT	L/R	Box	J5R	R9038	Drive Shaft	23	27	712.5	
2.1 D (43 kW)	1980.09-1989.04	MT	L/R	Box		R9038	Drive Shaft	23	27	712.5	
2.1 D 4WD (43 kW)	1986.11-1989.04	MT	L/R	Box		R9038	Drive Shaft	23	27	712.5	
TRAFIC (T5,T6,T7)											
1.4 (35 kW)	1980.03-1989.04	MT	L/R	Bus	C1J	R9038	Drive Shaft	23	27	712.5	
1.6 (48 kW)	1984.01-1986.06	MT	L/R	Bus	A1M	R9038	Drive Shaft	23	27	712.5	
1.6 4WD (48 kW)	1980.03-1986.08	MT	L/R	Bus	A1M	R9038	Drive Shaft	23	27	712.5	
1.7 (50 kW)	1986.06-1989.04	MT	L/R	Bus	F1N	R9038	Drive Shaft	23	27	712.5	
2.0 (59 kW)	1986.06-1989.04	MT	L/R	Bus	J5R	R9038	Drive Shaft	23	27	712.5	
2.0 4WD (59 kW)	1986.06-1989.04	MT	L/R	Bus	J5R	R9038	Drive Shaft	23	27	712.5	
2.1 D (43 kW)	1980.03-1989.04	MT	L/R	Bus		R9038	Drive Shaft	23	27	712.5	
TRAFIC (TXW)											
1.7 (50 kW)	1992.08-1994.08	MT	L/R	Bus	F1N	R9028	Drive Shaft	25	27	713.5	
1.9 D (44 kW)	1997.06-2001.03	MT	L/R	Bus	F8Q	R9028	Drive Shaft	25	27	713.5	
2.0 (59 kW)	1989.05-1990.08	MT	L/R	Bus	J5R	R9028	Drive Shaft	25	27	713.5	
2.1 D (43 kW)	1989.05-1994.06	MT	L/R	Bus	852720/852750	R9028	Drive Shaft	25	27	713.5	
2.1 D (47 kW)	1994.06-1997.10	MT	L/R	Bus	J8S	R9028	Drive Shaft	25	27	713.5	
2.2 (70 kW)	1989.05-1994.06	MT	L/R	Bus	J7T	R9028	Drive Shaft	25	27	713.5	
2.2 (74 kW)	1994.06-1997.10	MT	L/R	Bus	J7T	R9028	Drive Shaft	25	27	713.5	
2.5 D (55 kW)	1989.05-2001.03	MT	L/R	Bus	S8U	R9028	Drive Shaft	25	27	713.5	
2.5 D 4WD (55 kW)	1989.08-2001.03	MT	L/R	Bus	S8U	R9028	Drive Shaft	25	27	713.5	
TRAFIC (TXX)											
1.4 (35 kW)	1989.05-1991.06	MT	L/R	Box	C1J	R9028	Drive Shaft	25	27	713.5	
1.7 (50 kW)	1992.08-1994.08	MT	L/R	Box	F1N	R9028	Drive Shaft	25	27	713.5	
1.9 D (44 kW)	1997.06-2001.03	MT	L/R	Box	F8Q	R9028	Drive Shaft	25	27	713.5	
2.0 (59 kW)	1989.05-1990.08	MT	L/R	Box	J5R	R9028	Drive Shaft	25	27	713.5	
2.1 D (43 kW)	1989.05-1994.06	MT	L/R	Box		R9028	Drive Shaft	25	27	713.5	
2.1 D (47 kW)	1994.06-1997.10	MT	L/R	Box	J8S	R9028	Drive Shaft	25	27	713.5	
2.2 (70 kW)	1989.05-1994.06	MT	L/R	Box	J7T	R9028	Drive Shaft	25	27	713.5	
2.2 (74 kW)	1994.06-1997.10	MT	L/R	4x4 Box	J7T	R9028	Drive Shaft	25	27	713.5	
	1994.06-1997.10	MT	L/R	Box	J7T	R9028	Drive Shaft	25	27	713.5	
2.2 4WD (70 kW)	1989.05-1994.06	MT	L/R	Box	J7T	R9028	Drive Shaft	25	27	713.5	
2.5 D (55 kW)	1989.05-2001.03	MT	L/R	Box	S8U	R9028	Drive Shaft	25	27	713.5	
TRAFIC DIESEL											

Model	Year	Gearbox	Side	Body	Engine	Index	Product	Specification			
								A	B	C	ABS
2.1	1989.05-		L/R			R9028	Drive Shaft	25	27	716	
2.5	1989.05-		L/R			R9028	Drive Shaft	25	27	716	
TRAFIC ESSENCE											
1.7	1989.05-		L/R			R9028	Drive Shaft	25	27	716	
2.0	1989.05-		L/R			R9028	Drive Shaft	25	27	716	
TRAFIC II (EL)											
1.9 DCi 100 (74 kW)	2001.03-			Platform	F9Q	F933	Outer Joint	27	26	158	
	2001.03-		L	Platform	F9Q	R9098	Drive Shaft	27	37.1	676	
	2001.03-		R	Platform	F9Q	R9099	Drive Shaft	27	39	1020	
1.9 DCi 80 (60 kW)	2001.03-			Platform	F9Q	F933	Outer Joint	27	26	158	
	2001.03-		L	Platform	F9Q	R9098	Drive Shaft	27	37.1	676	
	2001.03-		R	Platform	F9Q	R9099	Drive Shaft	27	39	1020	
2.0 (88 kW)	2001.03-			Platform	F4R	F933	Outer Joint	27	26	158	
2.0 DCi 90 (66 kW)	2006.08-			Platform	M9R	R934	Outer Joint	27	36	165	
	2006.08-		R	Platform	M9R	R9120	Drive Shaft	27	39	1015	
	2006.08-		L	Platform	M9R	R9119	Drive Shaft	27	39	700	
2.0 DCi 115 (84 kW)	2006.08-			Platform	M9R	R934	Outer Joint	27	36	165	
	2006.08-		R	Platform	M9R	R9120	Drive Shaft	27	39	1015	
	2006.08-		L	Platform	M9R	R9119	Drive Shaft	27	39	700	
2.5 DCi 135 (99 kW)	2001.03-		R	Platform	G9U	R9127	Drive Shaft	27	39	1060	
2.5 DCi 145 (107 kW)	2006.08-			Platform	G9U	R934	Outer Joint	27	36	165	
	2006.08-		L	Platform	G9U	R9121	Drive Shaft	27	39	667	
	2006.08-		R	Platform	G9U	R9122	Drive Shaft	27	39	1045	
TRAFIC II (FL)											
1.9 DCi 100 (74 kW)	2001.03-	6MT		Box	F9Q	F933	Outer Joint	27	26	158	
	2001.03-		L	Box	F9Q	R9098	Drive Shaft	27	37.1	676	
	2001.03-		R	Box	F9Q	R9099	Drive Shaft	27	39	1020	
1.9 DCi 80 (60 kW)	2001.03-	5MT		Box	F9Q	F933	Outer Joint	27	26	158	
	2001.03-		L	Box	F9Q	R9098	Drive Shaft	27	37.1	676	
	2001.03-		R	Box	F9Q	R9099	Drive Shaft	27	39	1020	
2.0 (88 kW)	2001.03-	6MT		Box	F4R	F933	Outer Joint	27	26	158	
	2001.03-		L	Box	F4R	R9098	Drive Shaft	27	37.1	676	
	2001.03-		R	Box	F4R	R9099	Drive Shaft	27	39	1020	
2.0 DCi 90 (66 kW)	2006.08-			Box	M9R	R934	Outer Joint	27	36	165	
	2006.08-		R	Box	M9R	R9120	Drive Shaft	27	39	1015	
	2006.08-		L	Box	M9R	R9119	Drive Shaft	27	39	700	
2.0 DCi 115 (84 kW)	2006.08-			Box	M9R	R934	Outer Joint	27	36	165	
	2006.08-		R	Box	M9R	R9120	Drive Shaft	27	39	1015	
	2006.08-		L	Box	M9R	R9119	Drive Shaft	27	39	700	
2.5 DCi 135 (99 kW)	2003.05-		R	Box	G9U	R9127	Drive Shaft	27	39	1060	
2.5 DCi 145 (107 kW)	2006.08-			Box	G9U	R934	Outer Joint	27	36	165	
	2006.08-		L	Box	G9U	R9121	Drive Shaft	27	39	667	
	2006.08-		R	Box	G9U	R9122	Drive Shaft	27	39	1045	
TRAFIC II (JL)											
1.9 DCi 100 (74 kW)	2001.03-	6MT		Bus	F9Q	F933	Outer Joint	27	26	158	
	2001.03-		L	Bus	F9Q	R9098	Drive Shaft	27	37.1	676	
	2001.03-		R	Bus	F9Q	R9099	Drive Shaft	27	39	1020	
1.9 DCi 80 (60 kW)	2001.03-	5MT		Bus	F9Q	F933	Outer Joint	27	26	158	
	2001.03-		L	Bus	F9Q	R9098	Drive Shaft	27	37.1	676	

Model	Year	Gearbox	Side	Body	Engine	Index	Product	Specification			
								A	B	C	ABS
	2001.03-		R	Bus	F9Q	R9099	Drive Shaft	27	39	1020	
2.0 (88 kW)	2001.03-	6MT		Bus	F4R	F933	Outer Joint	27	26	158	
	2001.03-		L	Bus	F4R	R9098	Drive Shaft	27	37.1	676	
	2001.03-		R	Bus	F4R	R9099	Drive Shaft	27	39	1020	
2.0 DCi 90 (66 kW)	2006.08-			Bus	M9R	R934	Outer Joint	27	36	165	
	2006.08-		R	Bus	M9R	R9120	Drive Shaft	27	39	1015	
	2006.08-		L	Bus	M9R	R9119	Drive Shaft	27	39	700	
2.0 DCi 115 (84 kW)	2006.08-			Bus	M9R	R934	Outer Joint	27	36	165	
	2006.08-		R	Bus	M9R	R9120	Drive Shaft	27	39	1015	
	2006.08-		L	Bus	M9R	R9119	Drive Shaft	27	39	700	
2.5 DCi 135 (99 kW)	2003.05-		R	Bus	G9U	R9127	Drive Shaft	27	39	1060	
2.5 DCi 145 (107 kW)	2006.08-			Bus	G9U	R934	Outer Joint	27	36	165	
	2006.08-		L	Bus	G9U	R9121	Drive Shaft	27	39	667	
	2006.08-		R	Bus	G9U	R9122	Drive Shaft	27	39	1045	
2.5 DCi 115 (84 kW)	2008.02-		L	Bus	G9U	R9121	Drive Shaft	27	39	667	
	2008.02-		R	Bus	G9U	R9122	Drive Shaft	27	39	1045	
TWINGO (C06_)											
1.2 (40 kW)	1993.03-1996.10	MT	L	Hatchback	C3G	R9004	Drive Shaft	21	29.95	623	
	1993.03-1996.10	MT	R	Hatchback	C3G	R9014	Drive Shaft	21	23	734	
	1993.03-1996.10		R	Hatchback	C3G	R9126A	Drive Shaft	21	23	739	38T
	1996.05-	MT	L	Hatchback	D7F	R9004	Drive Shaft	21	29.95	623	
	1996.05-	MT	R	Hatchback	D7F	R9014	Drive Shaft	21	23	734	
	1996.05-		R	Hatchback	D7F	R9126A	Drive Shaft	21	23	739	38T
1.2 (43 kW)	1996.05-	MT	L	Hatchback	D7F	R9004	Drive Shaft	21	29.95	623	
	1996.05-	MT	L	Hatchback	D7F	R9005A	Drive Shaft	21	29.95	629	44T
	1996.05-	MT	R	Hatchback	D7F	R9014	Drive Shaft	21	23	734	
	1996.05-	MT	R	Hatchback	D7F	R9014A	Drive Shaft	21	23	740	44T
	1996.05-		R	Hatchback	D7F	R9126A	Drive Shaft	21	23	739	38T
1.2 16V (44 kW)	2004.08-	MT	L	Hatchback	D4F	R9004	Drive Shaft	21	29.95	623	
	2004.08-	MT	L	Hatchback	D4F	R9005A	Drive Shaft	21	29.95	629	44T
	2004.08-	MT	R	Hatchback	D4F	R9014	Drive Shaft	21	23	734	
	2004.08-	MT	R	Hatchback	D4F	R9014A	Drive Shaft	21	23	740	44T
	2004.08-		R	Hatchback	D4F	R9126A	Drive Shaft	21	23	739	38T
1.2 16V (55 kW)	2001.01-	MT	L	Hatchback	D4F	R9005A	Drive Shaft	21	29.95	629	44T
	2001.01-	MT	R	Hatchback	D4F	R9014A	Drive Shaft	21	23	740	44T
TWINGO II (CN0_)											
1.2 (43 kW)	2007.03-			Hatchback	D7F	R963	Outer Joint	23	28	138	
1.2 16V (55 kW)	2007.03-			Hatchback	D4F	R963	Outer Joint	23	28	138	
1.2 16V (56 kW)	2007.03-			Hatchback	D4F	R963	Outer Joint	23	28	138	
1.2 Turbo (74 kW)	2007.07-		L	Hatchback	D4F	R9998	Drive Shaft	23	26	611	
	2007.07-			Hatchback	D4F	R963	Outer Joint	23	28	138	
1.2 TCE (75 kW)	2011.02-		L	Hatchback	D4F	R9998	Drive Shaft	23	26	611	
1.5 DCi (47 kW)	2007.03-		R	Hatchback	K9K	R9999	Drive Shaft	23	26	868	
	2007.03-		L	Hatchback	K9K	R9998	Drive Shaft	23	26	611	

EXPERT LINE	OE	LOEBRO	SPIDAN	METELLI
C101	327317 / 327318 / 327320 / 327321 / 327323 *	300979 / 302070	20665	15-1015
C102	32725X / 3272KY / 3272LA / 3273AH / 3273KL / 3273KP *	303936	22276	15-1456
C104	327206 / 327375 *	303400 / 303401	21074	15-1259
C105	327202 / 327209 / 327210 / 327211 / 327212 / 327371 / 327379 / 327381 / 95615878 *	303403 / 303474	21075 / 21288	15-1177
C105A	3272E4 / 3273L5 / 95643689 *	303430	21093	15-1206
C106A	3273K1 / 95653010 *	303536	21581	15-1179
C107A	327235 / 3272N0 / 3273A6 / 3273T6 *			15-1180
C108	3272EN / 3272ES / 3273ES *	303928	22268	15-1407 / 15-1497
C109	3272EQ / 3272FR / 3272KW / 3273EQ *			15-1560 / 15-1649
C110	3272HR / 3273HH *			15-1498
C111	327378 / 3273N2 / 3272F5*	303407	21077	15-1142
C111A	3272FP / 3272Y3 / 3272Z7 *			15-1302 / 15-1446
C112	32721X / 32728W / 3273AC / 3273AH *			15-1455
C113A	3272FG / 3272KL / 3272LE / 3272LG / 3272LP / 3273KR *			15-1585
C114	327360 / 327362 / 3273C7 / 327477 / 327478 / 95606802 / 95606803 *	301092 / 302199	21257	15-1020
C115	32735W / 3273Q7 / 3273CP / 3273CN / 327309 / 327313 / 327310 / 3273R3*	302998	20634	
C115A	1495545080 / 9566722380 / 9567582280 *	302995 / 302997	20633	15-1132 / 15-1236
C116		303565	21593	
C117	32724T / 32738G			15-1588
C806	32735W / 3273CP / 3273NC / 3273ZZ *			
C807	32729K / 3272CN / 3272CP / 3272NF / 3272TY *			
C810	32727K / 3272CK / 3272CL *			
C811	32735T / 3273CK / 3273CL *			
C816	32726K / 3272CH / 3272CJ *			
C817	3273CH / 3273CJ *			
C9001A	3273W8 / 3273W9 / 3273X3	302940	20632	17-0151
C9002A	3272G9 / 3272Q5 / 3272Q6 / 3272Q7	302884 / 302939	20631 / 20679	17-0154 / 17-0516
C9003A	3272T5 / 327301 / 3273Z9			17-0702
C9004A	3273Z7 / 3273Z8			17-0703
C9005	327250 / 327254 / 32728J / 3272W5	301925	20649	17-0060 / 17-0080
C9006	327356 / 3273C8 / 3273E2	301926	20650	17-0061 / 17-0081
C9008A	32733L / 32733M / 9630767280	303203	21040	17-0382
C9011	1495546080 / 1496137080 / 3273Q7	303051	20949	17-0159
C9011A	1478552080 / 1487936088 / 327309 / 327310 / 327313 / 32735V / 32735W / 3273CN / 3273R2 / 3273R3	303053	20951	17-0161

EXPERT LINE	OE	LOEBRO	SPIDAN	METELLI
C9012A	1478551080 / 1487937088 / 32729K / 3272CN / 3272J7 / 3272J8 / 3272V3 / 3272V4 / 3272V5	303052	20950	17-0160
C9013	327248 / 32727N / 327285 / 3272F9 / 327360 / 327477 / 95555116 / 9559529280	301924	21648	17-0082
C9014	327360 / 327362 / 32736R / 3273C7 / 3273H1 / 327478 / 95555117	301923	21647	
C9015	32727K / 3272J5	303046	20944	
C9015A	1463107080 / 1491239080 / 32727K / 3272CK / 3272J1 / 3272J5 / 3272J6	303048	20946	17-0086
C9016	1495542080	303047	20945	
C9016A	1463108080 / 1491240080 / 32735T / 3273CK / 3273Q6 / 3273R0 / 3273R1	303049	20947	17-0087
C9017	1463106080 / 1491236080 / 32735S / 95569340 / 9617303380	303043	20941	
C9017A	32735S / 3273CH / 3273CJ / 3273Q5 / 3273Q8 / 3273Q9	303045	20943	17-0085
C9018	32726K / 3272J3 / 3272J4	303042	20940	
C9018A	1463105080 / 32726K / 3272CH / 3272J0 / 3272J3 / 3272J4	303044	20942	17-0084
C9019A	3272PG / 3272PH / 1349788080 / 71790994			
C9020A	3273PP / 3273PQ / 1349785080 / 71791003			
C9021A	3272K7 / 3272K8 / 3272L0 / 9626083988	303060	20958	17-0144
C9022	3273S2 / 3273S4	303059	20957	17-0143
C9022A	327306 / 327315 / 32735Y / 32737E / 3273S1 / 3273S2 / 9617408288	303061	20959	17-0145
C9023	32725L / 32726Y / 3272Y6 / 3272Y7	302918 / 303243	21124 / 23352	17-0132
C9023A	3272Z2			17-0134
C9024	32730W / 32730X / 32736A / 3273X	302919	23353	17-0133
C9024A	32732Q / 32733K / 32734T	303246		17-0135
C9025	32730Q / 32731K / 32736J / 3273K5 / 3273K7 / 96049018 / 96171857	301933 / 302877 / 303249	20662 / 20672 / 21130	17-0079
C9025A	96167304 / 96171875 / 96173636 / 96091416 / 3273K2 / 3273K2		20670 / 21132	
C9025B	32730R / 32730S / 32730T / 32736K / 32737W / 32739Z / 3273AA / 3273K2	302441 / 303251	20670 / 21132	17-0137 / 17-0642
C9026	3272A9 / 96171856 / 96173635	301934	20661	17-0078
C9026A	3272A4 / 3272A6 / 96091415 / 96167303	302440	20669	

EXPERT LINE	OE	LOEBRO	SPIDAN	METELLI
C9026B	3272A4 / 3272A6 / 96091415 / 96167303	302440	20669	17-0136
C9027	32735X / 3273T3 / 3273T4 / 9619947688	303055	20953	17-0139
C9027A	32722L / 32735X / 3273V7 / 3273W0	303057	20955	17-0141
C9028A	32721L / 3272L1 / 3272P5	303056	20954	17-0140
C9029A				
C9030A				
C9031A	3272AP / 3272Y0 / 3272Y1 / 9630768280	303208	21045	
C9032A	32730N / 32730P / 3273AQ	303209	21046	
C9033	32724R / 327275 / 3272H8 / 3272T2	301834	21659	17-0062
C9035D	327220 / 327265 / 32735Q / 32735R	301921	21616	17-0007
C9036A	32723C / 32723L / 32724C	303202	21039	17-0381
C9044	327200 / 327220 / 32724K / 327276	301920	21615	17-0006
C9045	32726E / 32727E / 32727G / 3272CQ	303199 / 303239	21036 / 21119	17-0379
C9046	32734S	303240	21120	
C9047	327307 / 327387 / 3273Y2 / 3273Y3	301929	20654	17-0011
C9048	327210 / 327211 / 327212	301509	21642	17-0058
C9049	327378 / 3273L4 / 3273L7 / 3273P7	301841 / 301847	21670 / 21672	17-0165 / 17-0557
C9050	32730K / 32735K / 327363 / 3273C9	301927	20652	17-0015
C9051	32721K / 327251 / 327256 / 32729J	301928	20651	17-0014
C9052	3272R3 / 95644403 / 96021730 / P0596T	301803	21638	17-0019
C9053	32735P / 327387 / 3273X8 / 95644404	301804	21637	17-0020
C9054	327218 / 32722Z / 3272R7 / 3272R8	301930 / 303237	20653 / 21115	17-0010 / 17-0156
C9056A	32737H / 32737J	303346	21340	17-0495
C9057A	32722Q / 32723Q	303345	21339	17-0494
C9058	3273JR	304785		
C9059	3272JY	304784		
C9060	3272JZ	304786	24513	17-0857
C9062	3272LG / 3272LH / 3272TZ / 9683944580	304939	24668	
C9063	3273KR / 3273KS	304940	25117	
C9064	3273G1 / 3273Q2	301833	21660	17-0063
C9065	3272KW / 3272KX	304584	24268	
C9066	3273KJ / 3273KK	304585	24269	
C9067	32726T / 32727T	303578	21966	
C9068	32738G/32738H	303577	21965	
C908	3273CJ*	303099	20987	
C9084	32728W / 32729W / 3272LV	303570	21729	17-0730
C908A	1495537080 / 1495541080 / 9566722180	303096 / 303098	20986	15-1120

EXPERT LINE	OE	LOEBRO	SPIDAN	METELLI
C9091	327327 / 327357 / 327358 / 327373	301798	21628	17-0028
C9092	327204 / 327222 / 327291 / 327330	301797	21629	17-0027
C9094	327244 / 327245 / 3272T4	301832	21656	17-0100
C9095	3273C3 / 3273C4 / 3273Z6	301831	21655	17-0101
C9099	327351 / 327352 / 327390	301796	21626	17-0026
C910	1497187088 / 1497188088 / 3272NP *			15-1636
C911	9645248980			15-1494
C912A	32723C *	303930	22270	15-1382
C913A	3272CS / 3273CS	304543		15-1568
C914	1481451080 / 1481452080 / 32729C / 3272GY / 3272RL / 32733Q / 3273GQ *			
C914A	1481451080 / 1481452080 / 32729C / 3272GY / 3272RL / 32733Q / 3273GQ *	304816 / 304818	24543 / 24545	15-1224 / 15-1546
C915A	9619947580 / 9619947588 / 9619947680 / 9619947688 / 9621456388 *			
C917	3272FW / 3273EA *			15-1561
C927A	32728S / 3272FP / 32726W*	303419		
C928A	3273Z8 *			15-1281
C929	3272PF / 3272SS / 3273PN / 3273PX *	304600	24284	15-1718
C930	3272GL / 3273GC *			15-1470
C931	1349786080 / 1349789080 / 3272PA *	304601	24285	15-1717
C932	3272GE / 3272GG / 3273EG *			15-1469
C933	3272RZ / 3272SA / 3273SN / 3273SP *			
C934				
C935				
C961A	327260 / 3272N1 *			15-1264
C9795A	96171871	302878	20673	17-0519
C9812	3272EN / 3272EP / 3272FW	303463	22111	17-0415
C9813	3273EA / 3273EN / 3273EP	303464	22112	17-0416
C9814	3272ES / 3272ET	303467	22115	17-0708
C9815	3273ES / 3273ET	303468	22116	17-0709
C9816	3272JA / 3272JC	304541	24194	
C9817	3273HS / 3273HT / 9650624180	304542	24195	
C9823A	3272YE / 3272ZO	303216	21049	17-0393
C9839	32722V / 32728T / 32729T / 3272EJ	303581	21969	17-0329
C9840	32738J / 32738K / 32738P / 3273EJ	303582	21970	17-0330
C9841	32738L / 32738N / 3273EH / 3273NY	303580	21968	
C9842	32721V / 32721W / 3272EH / 3272NT	303579	21967	
C9844	3273AC / 3273AE / 3273LP / 9637117880	303571	21730	17-0731
C9845	32721X / 32722X / 3272LW / 9637117780	303572	21731	17-0732

EXPERT LINE	OE	LOEBRO	SPIDAN	METELLI
C9846	3273CY / 3273CZ	304686	24374	
C9847	3272FT / 3272FV /	304685	24373	17-0809
C9848	32725X / 32726X	303574	21733	17-0728
C9849	3273AH / 3273AJ / 9636786880	303575	21734	17-0729
C9919	3272NK / 3272NL	305129	24870	
C9920	3273NK / 3273NL	305130	24871	
C9921	3272NP	305131	24872	
C9922	3272NQ	305132	24873	
C9924A	32721P / 32722P	303490	21957	17-0735
C9925A	32736T / 32736V	303489	21956	17-0734
C9926	327277 / 3272H7 / 3272T3	301836	21661	17-0068
C9926A	32722H / 32727C / 3272K4 / 3272L4 / 3272W0	304791	24518	17-0066
C9929A	32720F / 32720G / 327261 / 3272E1	302428	21683	17-0166
C9933	3273G3 / 3273Q1 / 3273Z5	301835	21662	17-0069
C9933A	327325 / 32733N / 32734V / 3273R8 / 3273R9	304792	24519	17-0067
C9934	327215 / 327216 / 327219 / 32723K	301801	21636	17-0017
C9948A	3272L2 / 3272L3 / 32731H / 32731J / 3273C5 / 3273E6 / 3273E9 / 3273K6	302427	21684	17-0167 / 17-0565
C9950	3273TC / 3273TE			
C9951	3272SL / 3272SN			
C9961A	32730Y / 32730Z	303217	21050	17-0394
C9962A	32721F	303241	21122	17-0217
C9963A	32731C / 32733Z / 32734H / 32734J / 32736H	303242	21123	17-0218
C9966A	32721S / 32722S / 32728S / 3272FP / 3272FQ / 3272Z7 / 3272Z8	303253	21134	17-0641
C9974A	3272AP / 3272Y0 / 3272Y1 / 9630768280	303208	21045	17-0389
C9976A	3273AL / 3273AN	303207	21044	17-0563
C9977A	3272AE / 3272AF	303206	21043	17-0562
C9978A	32726F / 32727F / 32728F / 72728L	303247	21128	
C9980A	32725C / 32726C / 9630767880	303205	21042	17-0385
C9983A	3273Y7 / 3273Y9	302923	21692	17-0286
C9984	3272PF / 3272SS			
C9985	3273PN / 3273PX			
C9986A	32725P / 32726P	303493	21960	17-0736
C9987A	32736Y / 32736Z	303494	21961	17-0737
C9988	3272GE / 3272GF	304579	24259	
C9989	3273EG / 3273FA	304580	24260	
C9990	3273GZ / 3273NT / 3273RN / 3273RP	304643	24329	
C9991	3272NW / 3272QY / 3272QZ / 3272RC / 3272RA / 3272NT	304642	24328	
C9994	3272RZ / 3272SA	304989	24717	
C9995	3273SN / 3273SP	304990	24718	
C9996	3272PT			
C9997	3273PY			
C9998				

EXPERT LINE	OE	LOEBRO	SPIDAN	METELLI
C9999				
F920		303438	20713	
F920A	4401720 / 4401727 / 8200169277 *	303437	20712	15-1453
F933		303934	22274	
R730				
R731	8200014111 / 8200035673 *			15-1574
R732	7711134778 *			
R733	8200079915 / 8200169177 / 8200436848			15-1576
R821	8200261840 / 8200261841 / 8200511225 *			15-1502
R9001	7701349880 / 7701351484 / 7701351486 / 7701351572 / 7711106227	301878	22069	17-0074
R9003	7701463343 / 7701499223	301873	22055	17-0111
R9004	7700104727 / 7700108248 / 7700109333 / 7700110484 / 7701351990 / 7701352771	301899 / 303228	21061 / 22089	17-0056 / 17-0395
R9004A	7700103731 / 7700106007 / 7700110484	303233	21066	
R9005A	7700111259 / 7711135005 / 7711368656	304689	24377	17-0786
R9006A	8200240430	304973	24701	17-0787
R9007A	7701349955 / 7701351995	302888	23338	17-0311
R9008A	7701349959 / 7701352001 / 7701351959	302889	23339	17-0312
R9009	7700873311 / 7701352596			17-0117 / 17-0597
R9009A	7701352471 / 7701352595 / 7701469374 / 7711135233	303064	20960	17-0115 / 17-0599
R9010	7700873322 / 7701469375 / 7701352598	303077	20973	17-0118
R9010A	7701352425 / 7701352473 / 7701352597 / 7711497524	303065	20961	17-0116
R9011A	7711135279 / 8200052428 / 8200178618 / 7700102978	303218	21051	
R9012	7700102981 / 7711135280	303221	21054	17-0406 / 17-0426
R9012A	7700102980 / 7700102999 / 7711135277 / 8200052426	303219	21052	17-0408 / 17-0428
R9014	7701351989	301900	22090	17-0057
R9014A	7711135875 / 8200236089	304690	24378	
R9016	7701352775 / 7701352777	303229	21062	17-0396
R9019	7701351804 / 7701351696 / 7701351695 / 7701349916 / 7701352224	301886	22082	17-0294 / 17-0034
R9020	7701349914 / 711106222 / 7701351697	301890	22083	
R9021	7701349727 / 7701349848 / 7701351162	301866	22042	17-0036
R9022	7701349726 / 7701349847 / 7701351160	301865	22043	17-0037
R9023	711106218 / 7700109021 / 7701349741	301870	22046	17-0038 / 17-0109
R9024	7701349839 / 7701349921 / 7701351264	301883	22074	17-0050

EXPERT LINE	OE	LOEBRO	SPIDAN	METELLI
R9025	7701349874 / 7701349972 / 7701351479 / 7701351480 / 7701351571 / 7711106228	301879	22068	
R9027	7701349689 / 7701349734 / 7701349940	301872	22050	17-0035
R9028	7700850487 / 7701351607 / 7701351608	301885	22077	17-0076
R9029	711106219 / 7701349771 / 7701349804	301867	22045	17-0039
R9036	7701349998 / 7701352141 / 7701352870	302903	22132	17-0298
R9036A	7701349998 / 7701352144 / 7711130028	302907	22136	17-0300
R9036AU	7701352142 / 7701352428	302898	22125	17-0308
R9037A	7701349994 / 7701352133	302908	22137	17-0299
R9038	7701349769 / 7701351172 / 7701498955	301859	22028	17-0051
R9042				
R9043A	7701352489 / 7701469543	303071	20967	17-0570
R9044A	7700100065 / 7700101680 / 7701352488 / 7701469542	303070	20966	17-0569
R9045	7701352775 / 7701352777	303229	21062	17-0396
R9046A	7701469962 / 7701352618	303072	20968	17-0571
R9047A	7701352619 / 7701469965	303073	20969	17-0572
R9048A	8200535799 / 7711368569 / 8200407659 /	305186		
R9050A	8200535802 / 7711368573 / 8200362065 /	305187		
R9051	8200687739	304993	24721	
R9052	8200687740	304994	24722	
R9055A	7700106018 / 7701471155	304302	23665	
R9056	7700105485 / 7700105487 / 7700111809 / 7700111811 / 7700111813 / 7700111820	303457	21566	
R9057	8200144781 / 8200331639	304005	21599	17-0918
R908				
R908A	7700102978 / 7700102980 / 7700102998 / 7700102999			15-1371
R9092A	7700110482 / 7701352774 / 7701352776	303234	21067	
R9094A	8200164147 / 820029984/ 8200299844	303507	21553	
R9095A	8200164149 / 8200477655	303508	21554	
R9096A	8200178624 / 8200485578	303505	21551	17-0861
R9097A	8200169288 / 8200499895	303506	21552	17-0862
R9098	4409210 / 4414517 / 8200069147	303495	21962	17-0196
R9099	4409208 / 4414516 / 8200069146 / 8200169291 / 91166707 / 91168794	303496	21963	17-0378
R9101	711106122 / 7701349359 / 7701498958	301862	22031	17-0041
R9102	7701349172 / 7701349660 / 7701463194	301861	22033	17-0042
R9109	7700873311 / 7701352596	303076	20972	17-0117 / 17-0597

EXPERT LINE	OE	LOEBRO	SPIDAN	METELLI
R9119	8200452269 / 8200776538	304780	24507	
R9120	7711368831 / 8200452268	304741	24508	
R9121	8200452272 / 8200776535 / 8200776537	304782	24509	
R9122	7711368832 / 8200452273	304783	24510	
R9123A	7700111914 / 7700115196 / 7711135206 / 7711135216 / 8200173584	303620	22322	
R9124	8200725499		25573	
R9125	7711497229 / 8200330413	304716	24444	
R9126A	7700112147 / 7701352808 / 7701352809	304364	23782	
R9127	7711135440 / 8200169163	304713	24441	
R915A				15-1573
R916A	7700111918 / 8200064731 / 8200236110 *			15-1542
R917A	7701352415 / 7701352471 *			15-0310 / 15-1310
R918A	7700110484 *			15-1378
R919A				
R920	7701349955 / 7701351995 *	303561	20357	15-1316
R921	391005187R / 391009620R / 8200842369 / 391004255R*			
R922	391012849R / 8200842365 / 391012675R / 391012360R *			
R923A	7711134959 / 8200114426 / 7711134957 / 8200065334 *			
R934	8200452268 / 8200452273 *	305133		
R963	8200341698 / 8200378880 *			15-1503
R964	8200261838 / 8200264664 / 8200264667 / 8200356803 *			15-1501
R965	8200327707 *			15-1523
R966	8200198016 / 8200436366 *			15-1519
R967	8200216519 / 8200216523 / 8200432517			15-1579
R968	8200687739 / 8200687740 *	304993 / 304994	24721 / 24722	
R969	391016204R / 8200847584 / 391006777R / 8200725502 *			
R970	391001339R / 8200725511 *	305765	25572	
R971	8200618182 / 8200618168 / 8200786810	305521	25298	
R972				
R9724	6001547029 / 6001548103 / 7711497475	304509 / 304510	24162 / 24163	17-0638
R9725	6001547028 / 6001548102 / 7711497474	304507 / 304508	24160 / 24161	17-0637
R9739	8200261840 / 8200440187 / 8200499585 / 8200511225 / 8200618501	304733	24460	17-0904
R9740	6001548720 / 7711497417 / 8200261841 / 8200270510 / 8200358168 / 8200455157	304710 / 304726	24398	17-0908
R9741	8200341698	304712	24400	17-1040
R9742	8200378880	304724	24452	17-1041
R9811A	7700872598 / 7701352630	303459	21568	17-0324

EXPERT LINE	OE	LOEBRO	SPIDAN	METELLI
R9812A	7700106291 / 7701352628 / 7711135267 / 8200031149	303460	21569	17-0323
R9813A	7701352631 / 7701470175	303461	21570	17-0314
R9815	7711135411 / 8200171562 / 8200259911 / 8200387424 / 8200387439 / 8200590972	304259 / 304857	24325 / 24584	17-1240
R9829	7711134777 / 8200079913 / 8200470129	303625	22327	17-0871
R9830	7711135321 / 8200079912 / 8200169176	303626	22328	
R9831	7711134780 / 8200035673	303631	22333	17-0864
R9832A	8200236116 / 8200622835 / 8200626032	304972	24700	17-0866
R9833A	7711135906 / 8200236109 / 8200236110	304805	24532	17-0865
R9834A	7711134959 / 8200114426	304303	23666	
R9835A	7711134957 / 8200065334	304301	23664	
R9836A	7711135835 / 8200088974	304971	24699	
R9888A	8200087857	304343	23744	17-0593
R9899	391010737R / 7711368284 / 8200167535 / 8200264664 / 8200356803 / 8200388506 / 8200511116 / 8200623807 / 8200626043 / 8200661557 / 8200690053	304745 / 304801	24472 / 24528	17-0903
R9900	8200511122 / 8200531917	304860	24587	
R9901	7711135416 / 7711135417 / 8200167522	304339 / 304341	23740 / 23742	17-0896
R9902	8200375537 / 8200432516	304718	24446	
R9903	7711368884 / 8200117068 / 8200216519	304777 / 304778	24504 / 24505	17-0909
R9904	8200198016	304340	23741	
R9905	7711135414 / 8200198015 / 8200436366 / 8200790517	304687 / 304802	24375 / 24529	
R9906	391016204R / 8200847584	305326	25103	
R9907	391006777R / 8200725502	305324	25101	
R9915A	7701352597 / 7701352473	303065	20961	17-0116
R9932A	7701352415 / 7701352417 / 7701352730	303066	20962	17-0315
R9945A	7701351841 / 7701352021	302435	22131	17-0628
R9956A	7700105484 / 7700105486 / 7700111077 / 7700111810 / 7700111812 / 7700111814	303455	21564	17-0600
R9958	7701351965 / 7711106228 / 7701351571 / 7701351481 / 7701351480 / 7701351479 / 7701349972 / 711106228 / 7701349874		22068	17-0075
R9959	7701349692 / 7701351127	301895	22067	17-0043
R9960	7700107765 / 7700110218 / 7700112315	303549	21711	17-0413
R9961	7701352750 / 7701470700 / 7701471377	303550 / 303624	21721 / 22326	17-0414
R9962	7700112506 / 7711135196 / 8200032891	303636	22338	

EXPERT LINE	OE	LOEBRO	SPIDAN	METELLI
R9963	7700112507 / 7700112511 / 8200032887	303637	22339	
C9964A	3273JY / 3273JZ	305349	25126	
C9965A	3272LP / 3272LQ	305348	25125	
R9972	391012849R / 8200842365 / 391012675R / 391012360R			
R9973	391009620R / 8200842369 / 391005187R / 391004255R			
R9976	391001339R / 8200725511 *	305765	25572	
R9981A	7701473014 / 8200026912 / 8200169277	303502	21060	
R9982A	7700102978 / 7700102998 / 7711135279 / 8200052428 / 8200178618 / 8200485576	303218	21051	17-0407 / 17-0411
R9983A	7700111916 / 7700115197 / 7711135207	303742	22928	17-0591
R9985A	7700107509 / 7700111818 / 7700112114 / 7700113086	303456	21565	
R9986A	8200414937	304845		
R9987A	8200414939 / 8200776522 / 8200776533	305191	24942	
R9997	7711134779 / 8200014111	303629	22331	
R9998	8200661507 / 8201235806	305140	24881	
R9999	8200482436	305139	24480	

* - Drive Shaft reference / каталожный номер приводного вала / numer katalogowy rólosi

OE numbers are only used for identification purposes.

Although every care has been taken while compiling this list of applications, they are given for general guidance only, and they do not constitute any contractual term, representation or warranty.



EXPERTLINE-AUTOMOTIVE.COM

ex@expertline-automotive.com

©2017 All rights reserved